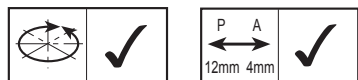




endolite

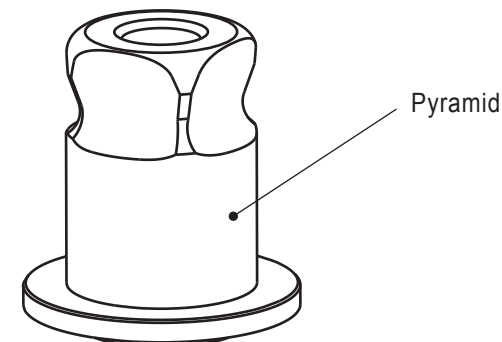
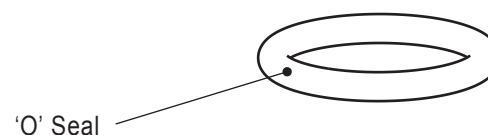
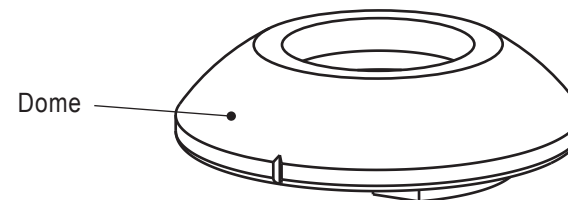
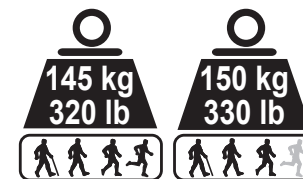
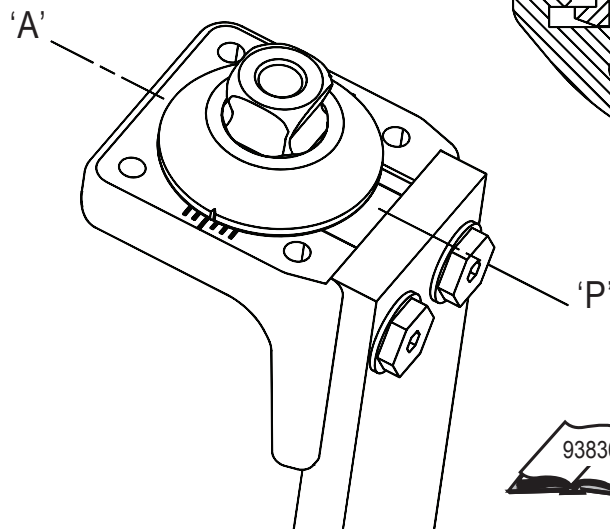
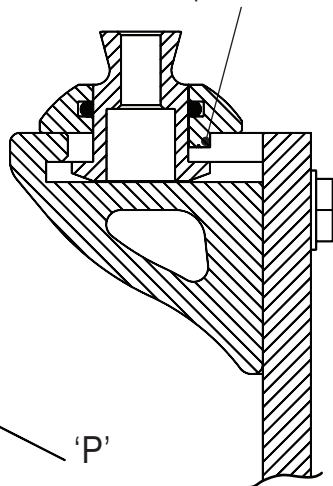
get busy living

Proximal Pyramid Adaptor Kit
239017



endolite

Anti-rotation
feature - assemble
posterior



Slide Adjustment

Slacken one pair of adjacent jacking screws on the pyramid adaptor and slide to the required position. The graduation marks on the housing may be used as a positioning guide. Retighten the pyramid adaptor screws to 15Nm.

This action pulls the male pyramid up and the dome section down locking it in place.

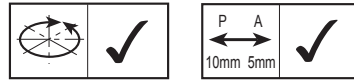
**Blatchford
Products Ltd**

Lister Road, Basingstoke, Hampshire,
RG22 4AH, United Kingdom
Telephone: +44 (0)1256 316600
Facsimile: +44 (0)1256 479705
Email: sales@blatchford.co.uk
www.endolite.co.uk

938179/10-0610

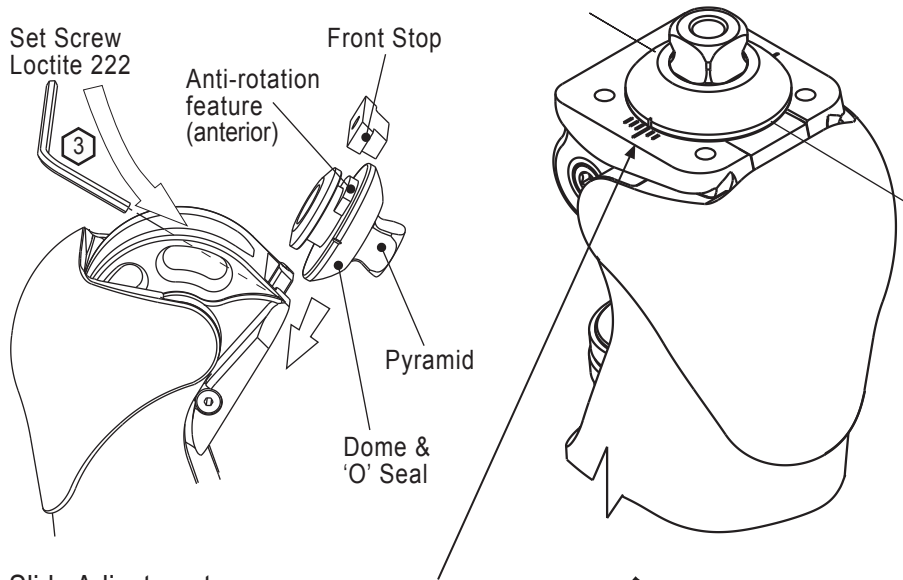


Assembly - Mercury Knee



endolite

Flex knee to fit parts as shown.
Locate toothed feature of Dome at
anterior end of chassis slot.



Slide Adjustment

Slacken one pair of adjacent jacking screws on the pyramid adaptor and slide to the required position. The graduation marks on the chassis may be used as a positioning guide. Retighten the pyramid adaptor screws to 15Nm.

This action pulls the male pyramid up and the dome section down locking it in place.

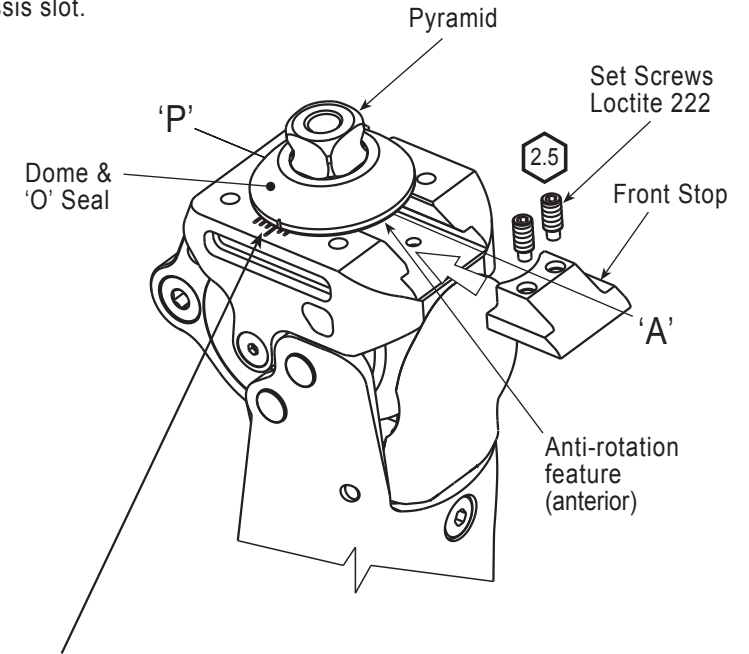


Assembly - ESK+ 4 Bolt Chassis



endolite

Locate toothed feature of Dome at
anterior end of chassis slot.



Slide Adjustment

Slacken one pair of adjacent jacking screws on the pyramid adaptor and slide to the required position. The graduation marks on the chassis may be used as a positioning guide. Retighten the pyramid adaptor screws to 15Nm.

This action pulls the male pyramid up and the dome section down locking it in place.

