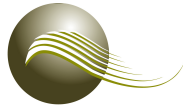
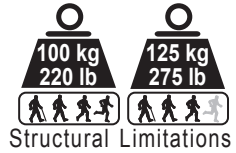


30mm Tube Clamp TT Pro



endolite
get busy living



Prescription Guide

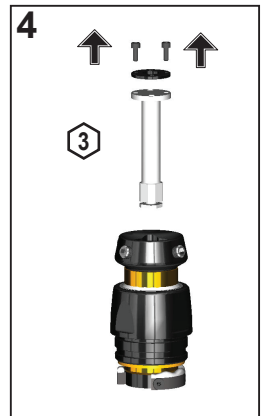
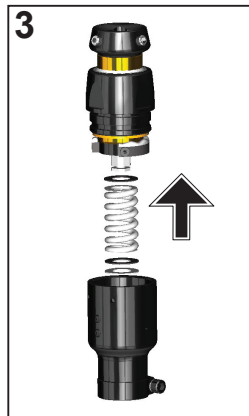
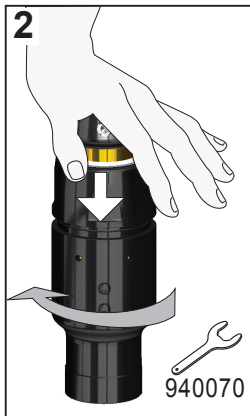
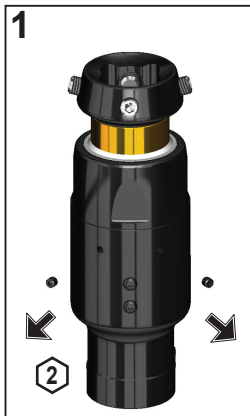
Weight (kg)	Impact Level			Weight (lb)
	Low	Moderate	High	
44-52	1P	2P	3W	100-115
53-59	2P	2W	3W	116-130
60-68	2P	3W	3B	131-150
69-77	2W	3W	3B	151-170
78-88	2W	3B	3B	171-195
89-100	3B	3B	3B	196-220
101-116	3B	3B	-	221-255
117-125	3B	3B	-	256-275

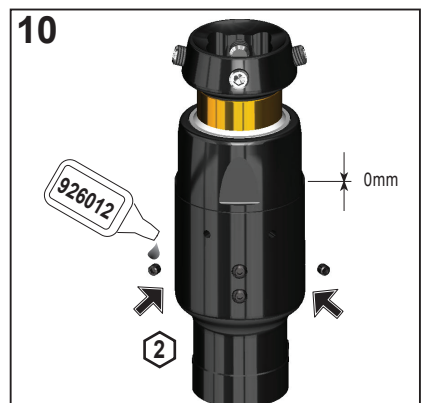
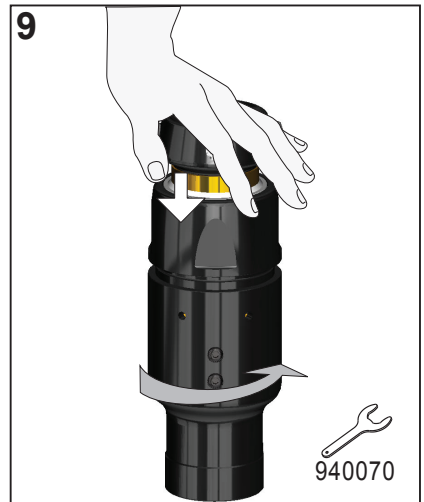
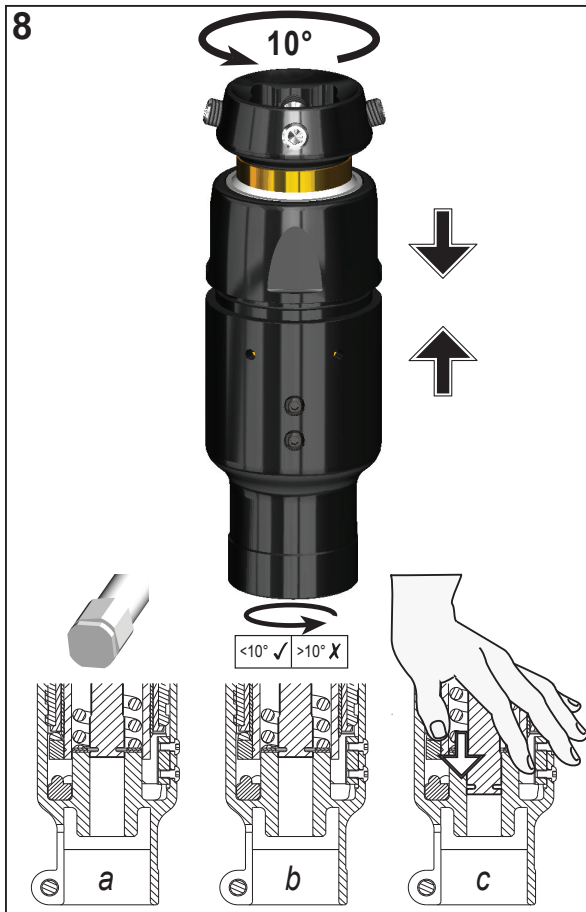
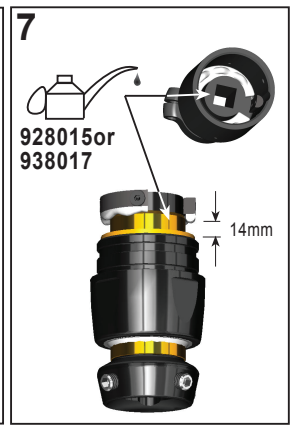
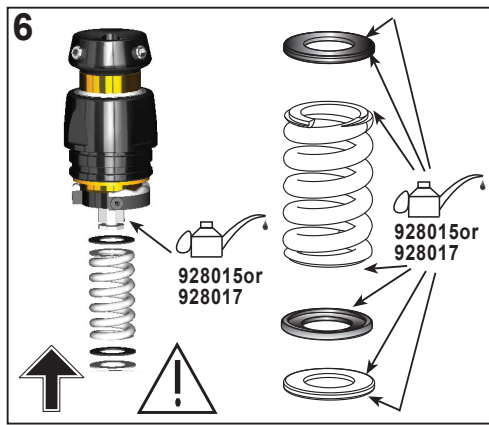
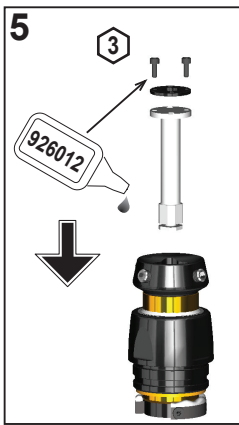


Torsion Rods
1 = 1 DOT 406007
2 = 2 DOT 406008
3 = 3 DOT 406009

Springs
P = Purple Spring 406014
W = White Spring 406015
B = Black Spring 406016

Once fitted with torsion rod and spring, cover appropriate lines on top housing with permanent black marker with leave appropriate number and letter showing.





Maintenance:

It is recommended that the following maintenance is carried out annually:

Disassemble, clean and lubricate parts as shown in figures 1-10. Check for rotational free play and replace torsion rod if worn.

The wearer must be handed the user information card supplied, and be advised of the following:-

Any changes in performance of the device must be reported to the practitioner e.g. unusual noises, looseness or free play.

The practitioner must also be informed of any changes in body weight and/or activity level.



endolite

get busy living

**Blatchford
Products Ltd**

Lister Road, Basingstoke, Hampshire,
RG22 4AH, United Kingdom
Telephone: +44 (0)1256 316600
Facsimile: +44 (0)1256 479705
Email: sales@blatchford.co.uk
www.endolite.co.uk



Blatchford Products Limited and ENDOLITE are companies and trademarks of Chas. A. Blatchford and Sons Ltd.

938257WEB-GB/03-0410