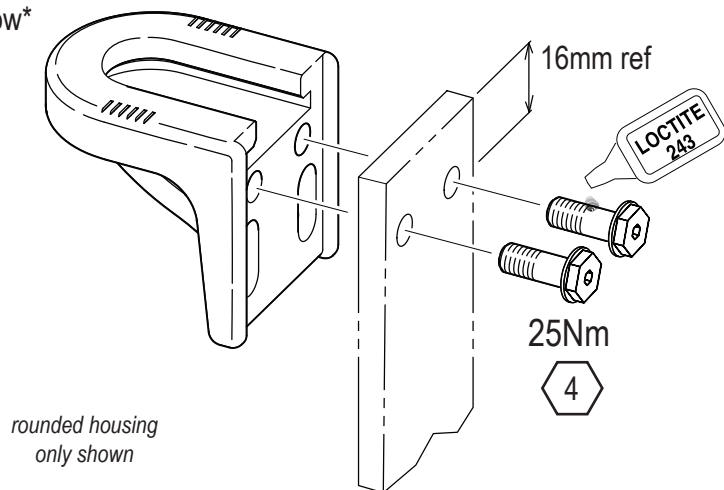




endolite
get busy living

Dynamic Pylon Top Housing 4 Bolt 539501 Round profile 539601/539602


**166kg
366lb**
see below*



Refer to appropriate Dynamic Pylon fitting instructions for cutting/drilling information and weight/activity limitations*. Insert shift adaptor into 'T' slot, if required. Attach housing ensuring pylon does not protrude above the top surface of the adaptor.

Blatchford Products Ltd., Lister Rd, Basingstoke, Hampshire
RG22 4AH, United Kingdom.
Telephone: +44 (0) 1256 316600
Facsimile: +44 (0) 1256 479705
Email: sales@blatchford.co.uk Web: www.endolite.co.uk

Blatchford Products Limited and ENDOLITE are companies and trademarks of Chas. A. Blatchford and Sons Ltd.
Blatchford Products Lttid et ENDOLITE sont des entreprises et marques déposées de Chas. A. Blatchford & Sons Ltd.
Blatchford Products Limited und ENDOLITE sind Firmen und Warenzeichen von Chas. A. Blatchford and Sons Ltd.
Blatchford Products Limited e ENDOLITE sono società e marchi registrati di Chas. A. Blatchford and Sons Ltd.
Blatchford Products Limited y ENDOLITE son empresas y marcas registradas de Chas. A. Blatchford and Sons Ltd.

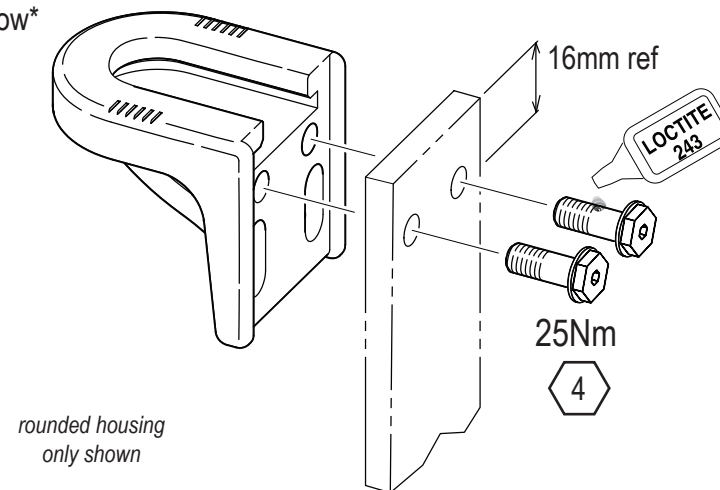
938307WEB-GB/2-0511



endolite
get busy living

Dynamic Pylon Top Housing 4 Bolt 539501 Round profile 539601/539602


**166kg
366lb**
see below*



Refer to appropriate Dynamic Pylon fitting instructions for cutting/drilling information and weight/activity limitations*. Insert shift adaptor into 'T' slot, if required. Attach housing ensuring pylon does not protrude above the top surface of the adaptor.

Blatchford Products Ltd., Lister Rd, Basingstoke, Hampshire
RG22 4AH, United Kingdom.
Telephone: +44 (0) 1256 316600
Facsimile: +44 (0) 1256 479705
Email: sales@blatchford.co.uk Web: www.endolite.co.uk

Blatchford Products Limited and ENDOLITE are companies and trademarks of Chas. A. Blatchford and Sons Ltd.
Blatchford Products Lttid et ENDOLITE sont des entreprises et marques déposées de Chas. A. Blatchford & Sons Ltd.
Blatchford Products Limited und ENDOLITE sind Firmen und Warenzeichen von Chas. A. Blatchford and Sons Ltd.
Blatchford Products Limited e ENDOLITE sono società e marchi registrati di Chas. A. Blatchford and Sons Ltd.
Blatchford Products Limited y ENDOLITE son empresas y marcas registradas de Chas. A. Blatchford and Sons Ltd.

938307WEB-GB/2-0511