



## DESCRIPTION

This award-winning design continues to add a little magic to prosthetic gait. It cushions shock and shear forces caused by vertical and twisting motion and protects the skin interface from abrasion and discomfort.

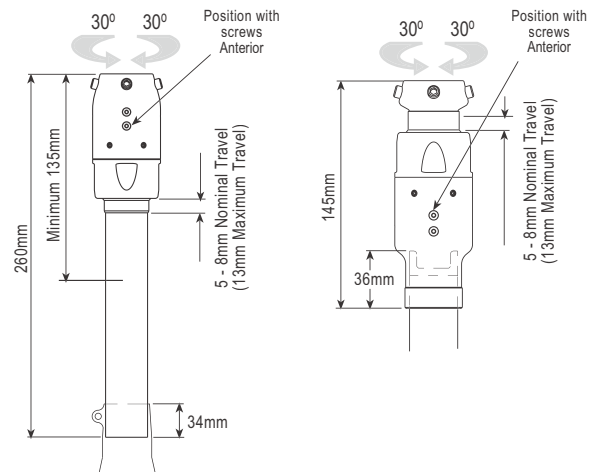
## SPECIFICATIONS

Max. User weight/ Activity Level:	100kg/ 1-4 125kg/ 1-3
Component weight:	From 317g
Build height:	135 - 260mm (pyr) 145 (clamp)
System diameter:	30mm

## ORDER EXAMPLE

<b>Pyramid</b>				
<b>TTPRO</b>	<b>PYR</b>	<b>3</b>	<b>B</b>	
		Rod	Spring	
	eg. TTPRO-PYR3B			
<b>Clamp</b>				
<b>TTPRO</b>	<b>30</b>	<b>3</b>	<b>B</b>	
		Rod	Spring	
	eg. TTPRO-30-3B			

## BUILD HEIGHT



### TTPRO

Activity	User Weight								kg
	44-52	53-59	60-68	69-77	78-88	89-100	101-116	117-125	
1	1P	2P	2P	2W	2W	3B	3B	3B	
2	2P	2W	3W	3W	3B	3B	3B	3B	