



# Lower Limb Prosthetic Catalogue

Issue 18







# Contents

Introduction	4-5
Activity Level Guide	6-9
Integrated Limb System	10-13
Knees	14-35
Feet	36-77
Junior	78-89
Controls	90-93
Adapters	94-113
Liners	114-119
Cosmesis	120-127
Socket Technology	128-130
Workshop Equipment	131-137
Index	139
Warranty Information	140
Global Warranty Statement	141



# Corporate Overview

Blatchford is committed to being a global leader in prosthetics and helping to change thousands of lives for the better through providing safe, effective and life-enhancing prostheses and clinical services.

For more than 128 years we have maintained a continuous relationship directly with the people who use artificial limbs. In the UK we operate limb fitting centre contracts for the NHS, and work closely with a network of distributors across the globe.







Blatchford is one of the world's longest established prosthetics companies. Our corporate headquarters is located in the UK, with additional clinical, manufacturing, research and development locations around the world. Our latest innovation, Linx, is a radical development in rehabilitation: an integrated, microprocessor controlled system in which the knee and foot work seamlessly together to ensure perfect gait response on all kinds of terrain. Recent innovations include the Elan foot and Orion3 knee, the former an award winning, unique, technology concept: the latter a sophisticated microprocessor controlled knee with self-programming ability and adaptive speed control.

Some of our major awards include: four Queen's Awards for Technological Achievement and Export, Design Council Award, Prince of Wales Award for Innovation, Millennium Products, British Engineering Excellence, IOD, EEF and BHTA, Design for Living Award, the prestigious MacRobert Award and later the German Design and MDEA Awards.



endolite

A Blatchford Company







# Activity Levels

## Prescription Activity Level Guide



Has the ability or potential to use a prosthesis for transfers or ambulation on level surfaces at fixed cadence. Typical of the limited and unlimited household ambulator.



Has the ability or potential for ambulation with the ability to traverse low level environmental barriers such as curbs, stairs, or uneven surfaces. Typical of the limited community ambulator.



Has the ability or potential for ambulation with variable cadence. Typical of the community ambulator who has the ability to traverse most environmental barriers and may have vocational, therapeutic, or exercise activity that demands prosthetic utilization beyond simple locomotion.



Has the ability or potential for prosthetic ambulation that exceeds basic ambulation skills, exhibiting high impact, stress, or energy levels. Typical of the prosthetic demands of the child, active adult, or athlete.

## Prescription Impact Level Guide

<b>Low</b>	Daily walking and occasional sports such as golf and hiking
<b>Moderate</b>	Aggressive walking, frequent or daily sports such as jogging
<b>High</b>	Daily activities such as distance running, climbing, lifting and carrying heavy objects for vocational purposes

## Notes

1. The maximum user weight/activity guidelines provided on our catalogue product pages and Clinician's Manuals give the ideal functional prescription, this may vary by region or reimbursement system. Our instructions for use provide structural safety levels which may differ.
2. The weight limit on the complete prosthesis is determined by its lowest rated component.
3. The weight limit applies to all products unless stated otherwise.
4. Before assembly always refer to the appropriate technical information.
5. See Blatchford website for latest product information.



Product	Level 1	Level 2	Level 3	Level 4
---------	---------	---------	---------	---------

Integrated Limb System				
Linx				

Product	Level 1	Level 2	Level 3	Level 4
---------	---------	---------	---------	---------

Microprocessor Knees				
Orion3				
Smart IP				

Hydraulic Knees				
-----------------	--	--	--	--

KX06				
Mercury				

Locking and Free Option Knees				
-------------------------------	--	--	--	--

ESK+				
ESK+ MKL				
S200				
S400				
S500				
Compact SAKL				
Aqualimb TF				

Product	Level 1	Level 2	Level 3	Level 4
---------	---------	---------	---------	---------

Junior				
Mini BladeXT				
Child's 4-bar Knee				



# Activity Levels

Product	Level 1	Level 2	Level 3	Level 4
<b>Feet With Dynamic Foot Springs</b>				
Elan				
EchelonVAC				
EchelonVT				
Echelon				
Elite2				
EliteVT				
Epirus				
Esprit				
Elite Blade				
Elite BladeVT				
BladeXT				
Javelin				
<b>Feet With Resilient/Cushioned Ankle Function</b>				
Avalon <sup>K2</sup>				
Navigator				
Multiflex <small>Standard/Slim/ Special Edition</small>				
SuperSACH				
Senior				
Aqualimb TT				





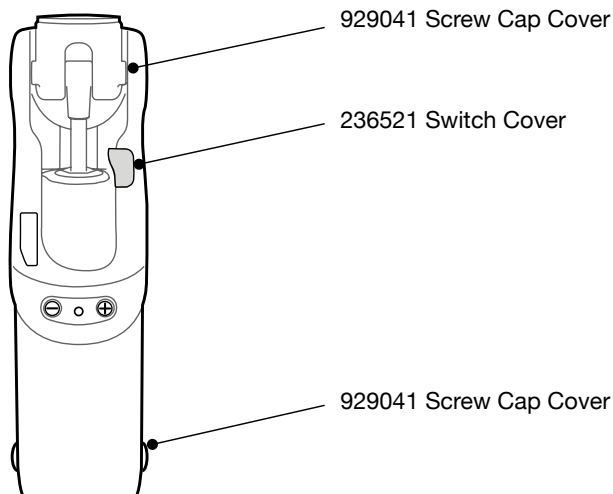
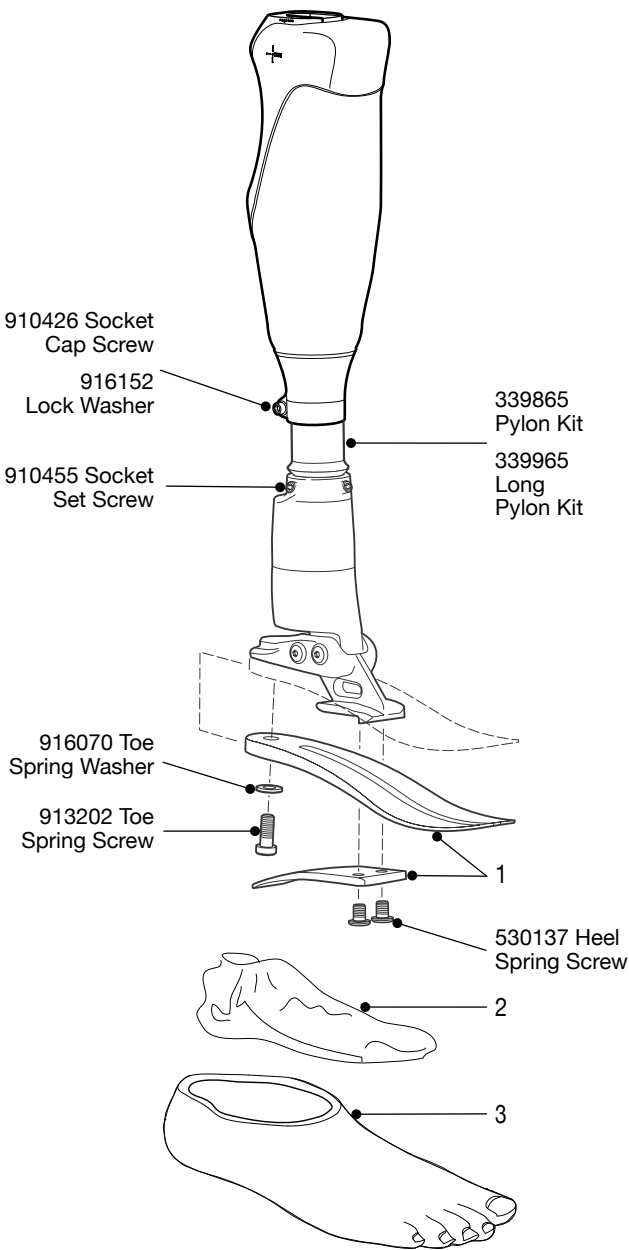


# Integrated Limb System





# Linx Schematics



## 1 Spring Kits:

Foot Size	Foot Size	Foot Size	Foot Size
22-24	25-26	27-28	29-30
Set 1 - 539801S	Set 1 - 539810S	Set 1 - 539819S	Set 1 - 539828S
Set 2 - 539802S	Set 2 - 539811S	Set 2 - 539820S	Set 2 - 539829S
Set 3 - 539803S	Set 3 - 539812S	Set 3 - 539821S	Set 3 - 539830S
Set 4 - 539804S	Set 4 - 539813S	Set 4 - 539822S	Set 4 - 539831S
Set 5 - 539805S	Set 5 - 539814S	Set 5 - 539823S	Set 5 - 539832S
Set 6 - 539806S	Set 6 - 539815S	Set 6 - 539824S	Set 6 - 539833S
Set 7 - 539807S	Set 7 - 539816S	Set 7 - 539825S	Set 7 - 539834S
Set 8 - 539808S	Set 8 - 539817S	Set 8 - 539826S	Set 8 - 539835S

2 Glide Sock: 22-26 - 531011, 27-30 - 532811

## 3 Foot shells:\*

Foot size Left/Right	Narrow	Wide
22L	539038S	-
22R	539039S	-
23L	539040S	-
23R	539041S	-
24L	539042S	-
24R	539043S	-
25L	539044SN	539044SW
25R	539045SN	539045SW
26L	539046SN	539046SW
26R	539047SN	539047SW
27L	539048SN	539048SW
27R	539049SN	539049SW
28L	-	539050S
28R	-	539051S
29L	-	539052S
29R	-	539053S
30L	-	539054S
30R	-	539055S

\*For dark tone add suffix D

Pylon Kit	339865
Pylon cutting jig	941257
Battery charger kit	239093
Aus adapter	950164
UK adaptor	950136
Euro adaptor	950137
US adaptor	950138
Shin extension cable	239057
Socket screwdriver 4mm	940271
Socket Hex 5mm AF	940266
Clinician's Manual	938353S

## Proximal Attachments

Rotating Pyramid with Shift	239017		7mm
Non-rotating Pyramid with Shift	239089		7mm
Rotating Female Pyramid with Shift	189128		28mm
M36 Threaded Adapter	239092		14mm

Build part numbers are for assembly guidance only and may not be for sale separately.



Fully integrated, microprocessor controlled lower limb system for above knee amputees.

Linx

## Features

- **Situational Awareness** - Integrated sensors continuously collect data to seamlessly adapt the limb's response.
- Varying levels of stance resistance to optimise safety at all times:
  - Standing support
  - Supported sitting
  - Controlled stance support
  - Stumble recovery
  - Dynamic stair descent
  - Dynamic slope descent
- Cycling Mode and Fixed Angle Flexion Lock Mode
- Knee Flexion to 130°
- Up to 3 days battery life
- Sandal Toe Footshell

## Specifications

<b>Max. User Weight:</b>	125kg
<b>Activity Level:</b>	(2), 3, (4*)
<b>Size Range:</b>	22 to 30
<b>Component Weight:</b>	2.6kg†
<b>Build Height:</b>	470mm to 565mm
<b>Heel Height:</b>	10mm



Suitable for outdoor use

## Order Example

Product Code	Size	Side	Width*	Spring Set	Sandal Toe
<b>LINX</b>	<b>25</b>	<b>L</b>	<b>N</b>	<b>3</b>	<b>S</b>

\*Narrow (N) and Wide (W) available for sizes 25-27 only.  
For dark tone add suffix D.  
Example: foot size 25, left, narrow, spring rating 3, sandal toe.

## Accessories

Long Pylon Kit	<b>339965</b>
Alignment Wedge	<b>940093</b>
Endolite Programming Tablet	<b>019179</b>
Charger Extension Cable	<b>239098</b>



Activity Level 3 has the ability or potential for ambulation with variable cadence. Typical of the community ambulator who has the ability to traverse most environmental barriers and may have vocational, therapeutic, or exercise activity that demands prosthetic utilization beyond simple locomotion. Activity level 2 and 4\* users will require softer or stiffer springs as appropriate for the individual user rather than as shown in the spring selection guide.

Activity  
3

### User Weight

44-52	53-59	60-68	69-77	78-88	89-100	101-116	117-125	kg
100-115	116-130	131-150	151-170	171-195	196-220	221-255	256-275	lbs

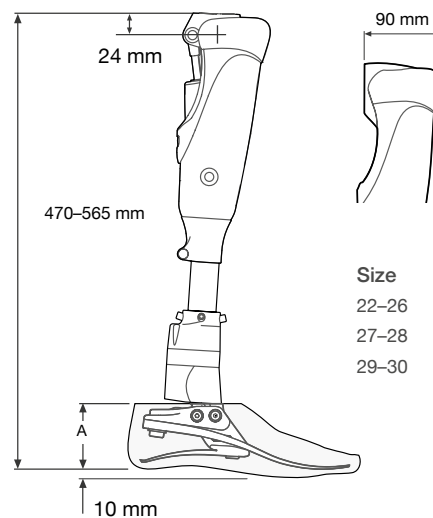
1	2	3	4	5	6	7	8
---	---	---	---	---	---	---	---

Spring set

\*Max user weight 100kg and always use one higher spring rate.  
†Component weight shown is for a size 26cm without foot shell.



## Build Height



Size	A
22-26	65 mm
27-28	70 mm
29-30	75 mm







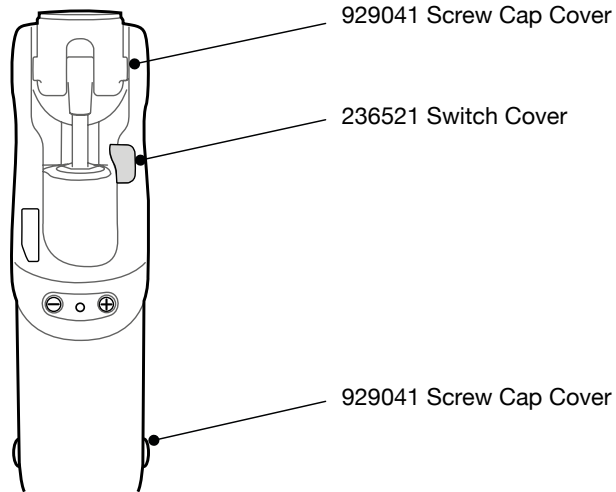
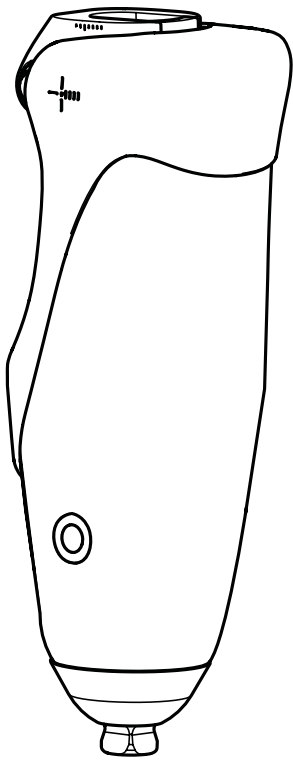




# Knees



# Orion3 Schematics





## Features

- Situational Awareness – an Inertial Measurement Unit senses movement and speed to respond accordingly, in real time
- Enhanced Stability Performance – 5 levels of stance resistance optimises safety at all times
  - Controlled Stance Support
  - Standing Support
  - Dynamic Slope and Stair Descent
  - Stumble Recovery
  - Supported Sitting
- Natural Efficient Motion - MPC pneumatics ensure energy efficient and smooth swing at multiple speeds
  - Optimal Stance Release
  - Adaptive Speed Control
  - Terminal Swing Damping
- Cycling Mode and Fixed Angle Flexion Lock Mode
- Knee Flexion to 130°
- Intuitive Programming Software via PC or App
- Lithium Ion batteries with up to 3 days life, dependent on usage
- Battery Life Indicator and Low Power Mode



## Specifications

<b>Max. User Weight:</b>	125kg
<b>Activity Level:</b>	(2), 3, (4*)
<b>Component Weight:</b>	1.5kg
<b>Build Height:</b>	250mm
<b>Control Unit:</b>	MPK Hydraulic/Pneumatic

\*Dependent on local reimbursement guidelines/maximum user weight 100kg



## Part Number

**ORION3**

## Accessories

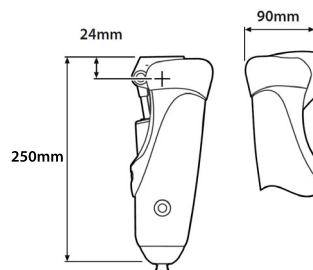
Battery Charger Kit	<b>239093</b>
Clinician's Manual	<b>938374</b>
Endolite Programming Tablet	<b>019179</b>
Charger Extension Cable	<b>239098</b>

## Socket Adapters

**P409049**



## Build Height



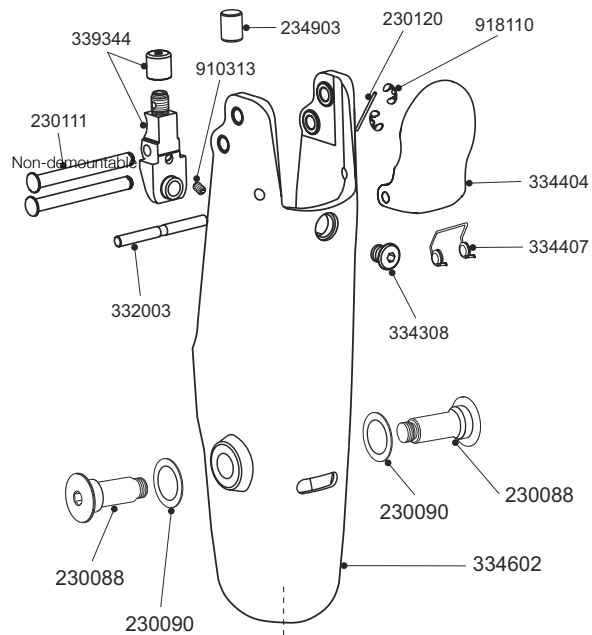
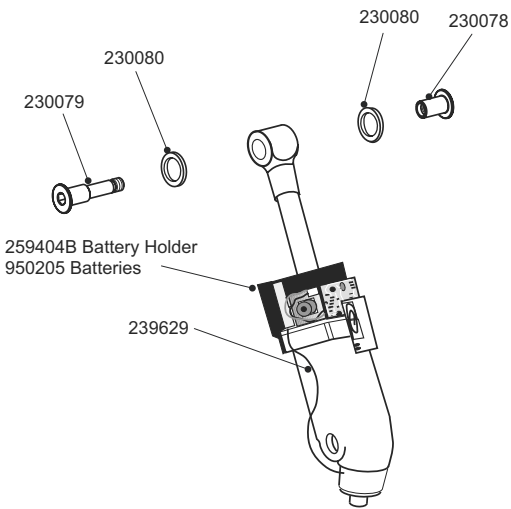
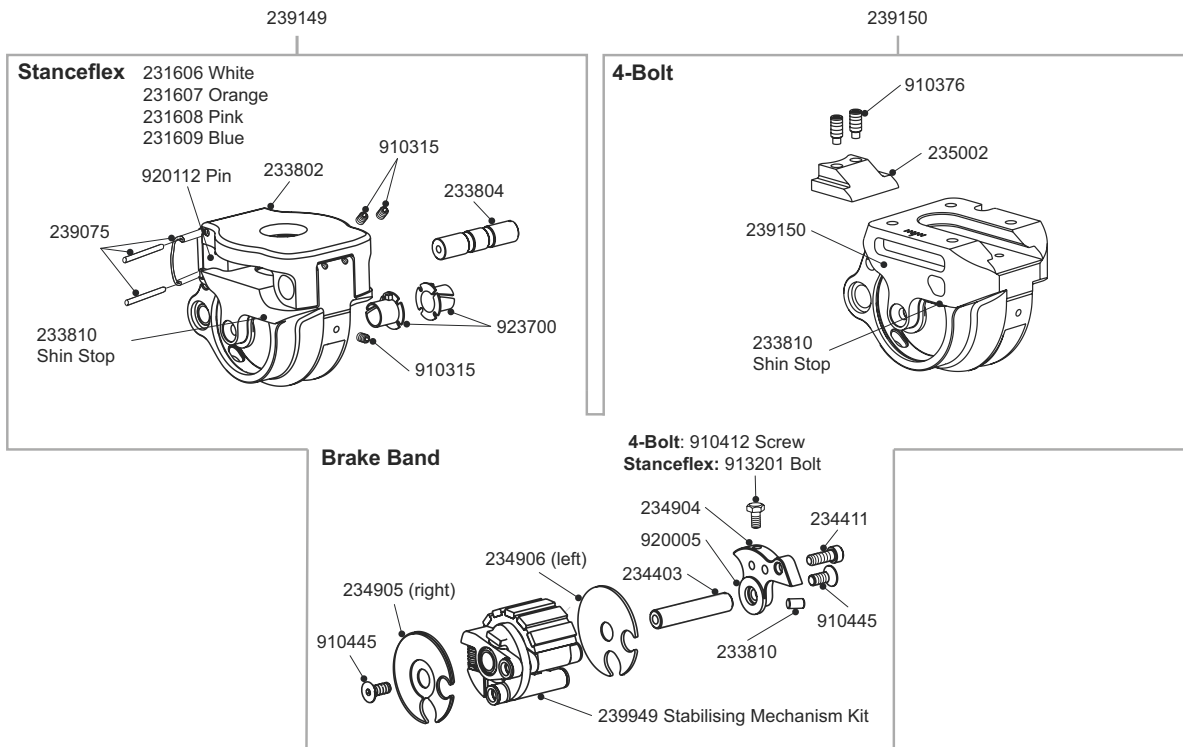
## Proximal Attachments

Rotating Pyramid with Shift	<b>239017</b>		
Non-rotating Pyramid with Shift	<b>239089</b>		
Rotating Female Pyramid with Shift	<b>189128</b>		
M36 Threaded Adapter	<b>239092</b>		





# SmartIP Schematics



- |                               |        |
|-------------------------------|--------|
| Instructions for use          | 938250 |
| Control cylinder instructions | 938238 |
| Alignment/stability           | 938194 |
| Stanceflex ESK+               | 938192 |
| 4-Bolt ESK+                   | 938205 |



Build part numbers are for assembly guidance only and may not be for sale separately.

Microprocessor controlled knee with programming technology for optimum swing settings.

SmartIP

## Features

- Smart Programming, electromechanical, adjustable terminal impact and extension damping
- Comfortable gait from very slow to fast walking speeds
- Smoother speed progression because of enhanced program
- Weight activated stance control
- Stanceflex option improves comfort
- Battery life expectancy 9-12 months under normal usage
- 140° knee flexion
- 4-Bolt option reduces build height

## Specifications

<b>Max. User Weight:</b>	125kg
<b>Activity Level:</b>	(1), 2, 3, (4*)
<b>Component Weight:</b>	1.27kg Stanceflex 1.15kg 4-Bolt
<b>Build Height:</b>	see diagram
<b>Control Unit:</b>	Swing: MPK/Pneumatic Stance: mechanical

\* Maximum user weight 100kg



Suitable for outdoor use

## Part Numbers

Stanceflex options	<b>SMARTIPSF30</b> <b>SMARTIPSF30PYR</b>
4-Bolt options	<b>SMARTIP4B30</b> <b>SMARTIP4BPYR</b>

## Stanceflex Rubber Hardness

<b>25°</b> 231608 Soft	<b>35°</b> 231606	<b>45°</b> 231607 Fitted as standard	<b>70°</b> 231609 Hard
------------------------------	----------------------	--	------------------------------

Careful selection of Stanceflex rubber is essential as it influences the action of the unit (see fitting information).

## Socket Adapters

Stanceflex options

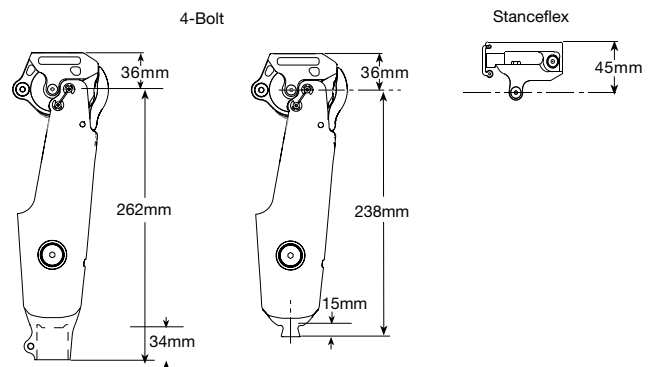


4-Bolt options



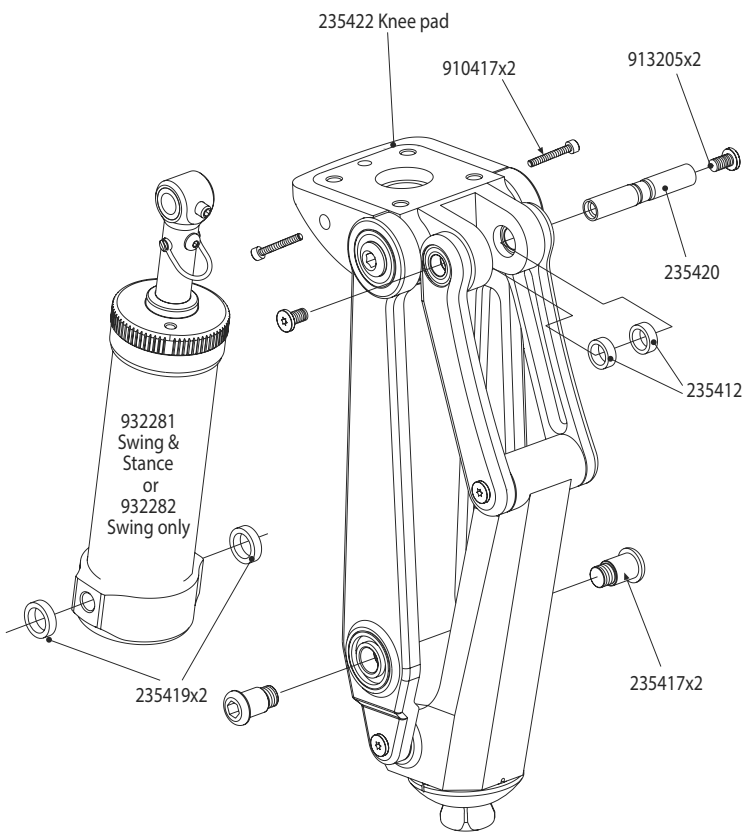
Pyramid option shown

## Build Height





# KX06 Schematics



Instructions for use  
Control cylinder instructions

938271  
938216



Build part numbers are for assembly guidance only and may not be for sale separately.



## Features

- Polycentric knee with hydraulic swing and stance or swing only
- 160° knee flexion
- Water resistant design
- Variable cadence
- Cylinder flexion lock
- Mode switch for cycling
- Multiple proximal adapter choices
- Distal pyramid

## Specifications

<b>Max. User Weight/Activity Level:</b>	150kg/3 145kg/4
<b>Component Weight:</b>	1.23kg
<b>Build Height:</b>	See diagram
<b>Control Unit:</b>	Endolite Hydraulic



Suitable for shower use



## Part Numbers

KX06  
KX06-SWING

## Accessories

Cylinder Adjuster Tool

940091

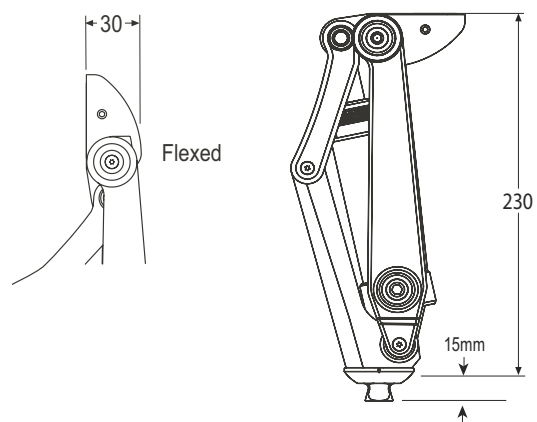


## Socket Adapters

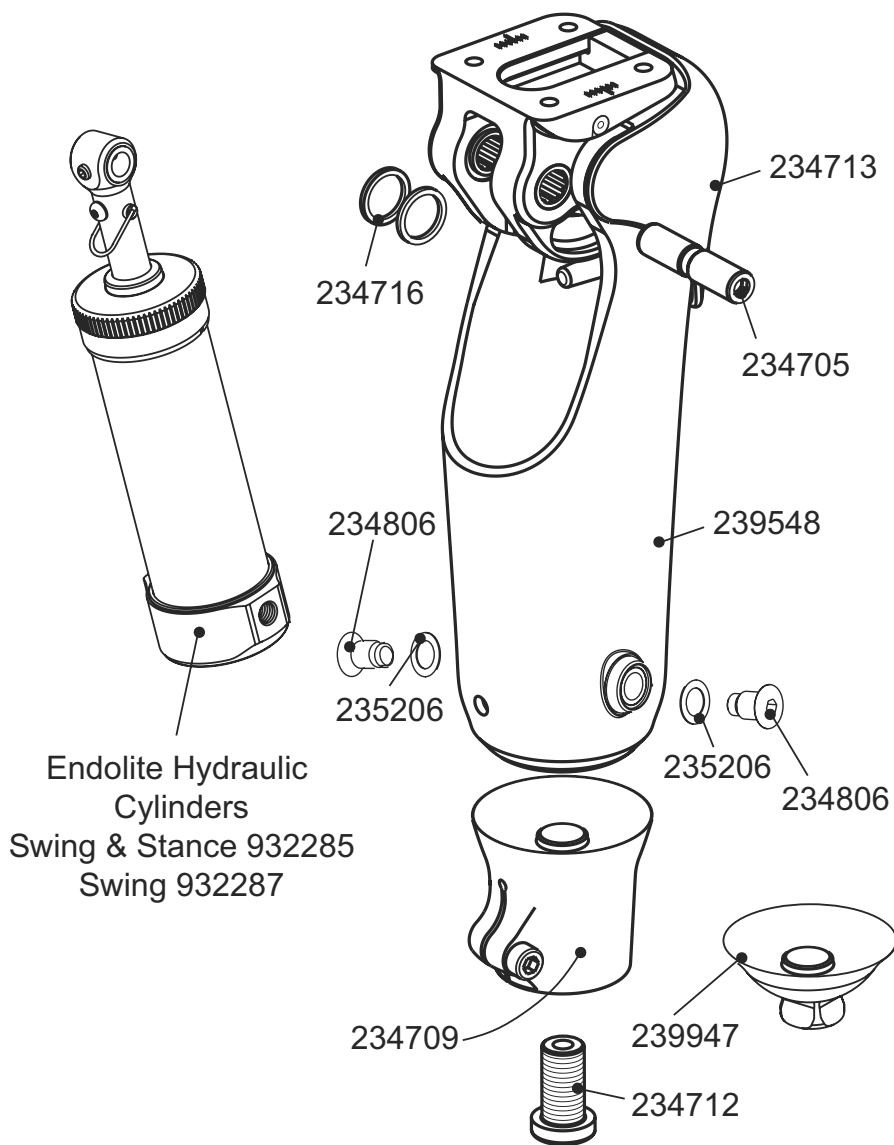
EP-MSR   EP-FSR   P189310   169307   169207

169407

## Build Height



# Mercury Schematics



Instructions for use knee  
Control cylinder instructions

938251  
938216



## Features

- Tough carbon fibre frame
- 125° knee flexion
- Long life needle roller bearings
- Reinforced hydraulic unit
- Variable cadence
- Cylinder flexion lock
- Mode switch for cycling
- Durable urethane kneeler pad
- Compact design

## Specifications

<b>Max. User Weight/Activity Level:</b>	150kg/3 145kg/4
<b>Component Weight:</b>	1.23kg
<b>Build Height:</b>	See diagram
<b>Control Unit:</b>	Endolite Hydraulic



## Part Numbers

- MH30
- MH30 SWING
- MHPYR
- MHPYR SWING

### Discontinuous:

- MHDPYRS - small kneeball 100mm
- MHDPYRM - medium kneeball 110mm
- MHD30S - small kneeball 100mm
- MHD30M - medium kneeball 110mm

## Accessories

Mercury discontinuous cosmesis kit see page 125

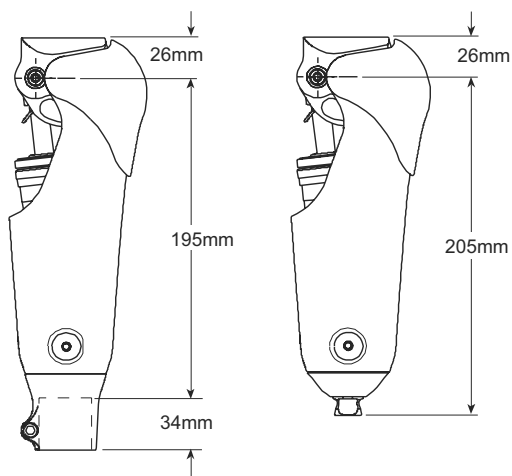
Cylinder Adjuster Tool **940091** 

## Socket Adapters



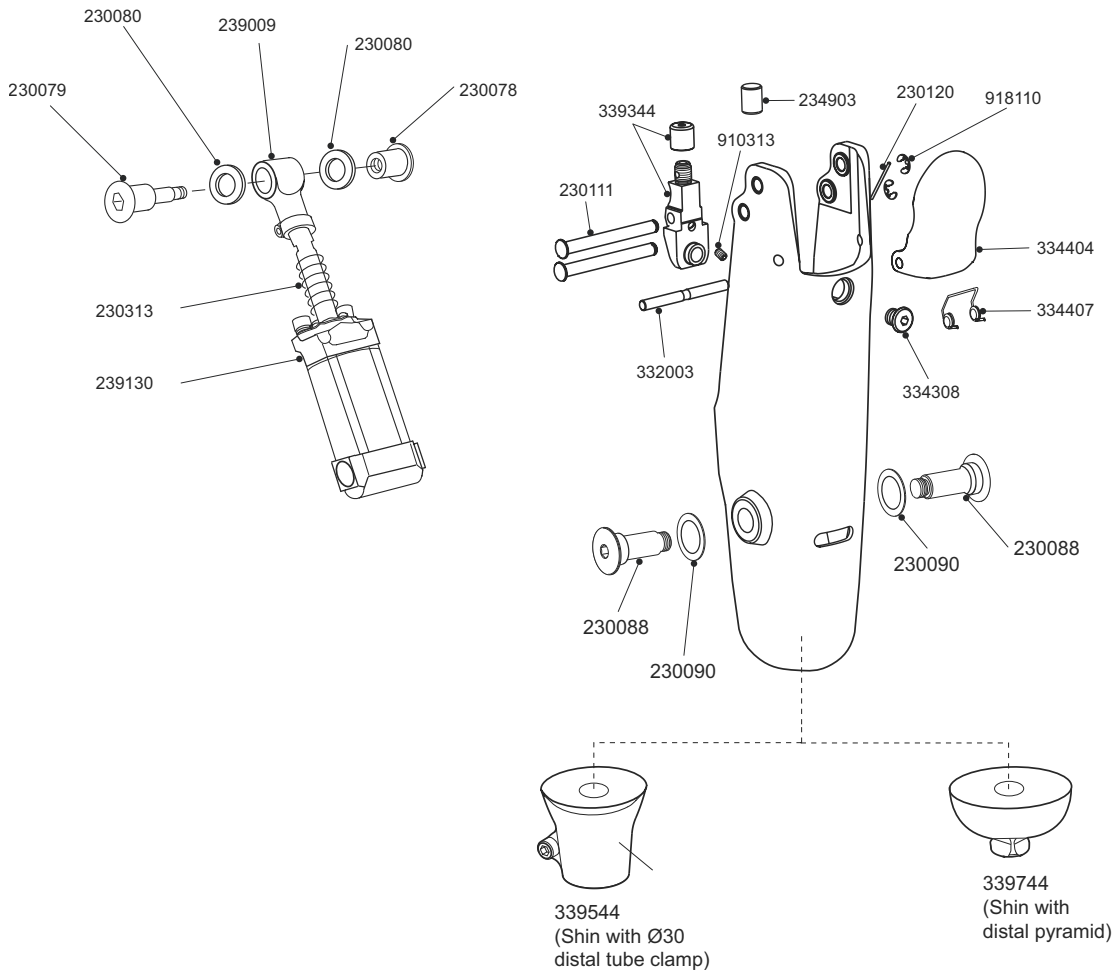
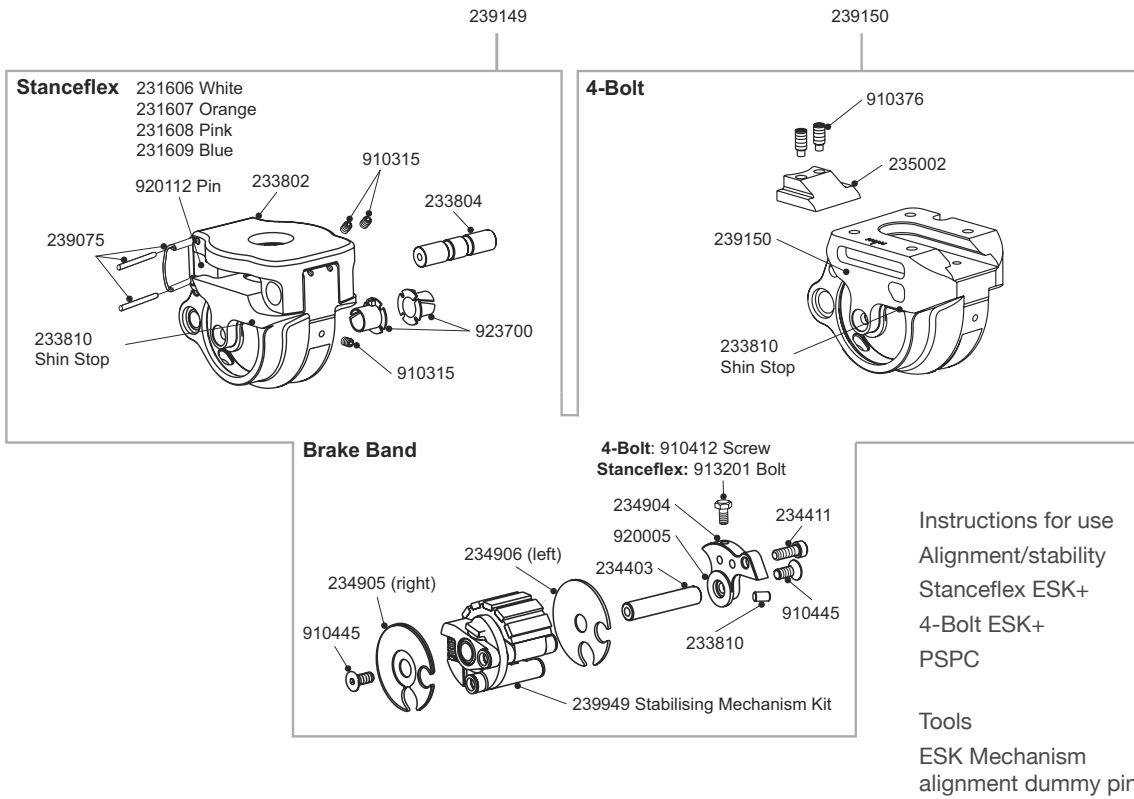
Pyramid option shown

## Build Height





# ESK+ Schematics



Build part numbers are for assembly guidance only and may not be for sale separately.



**PSPC knee with weight activated stance control for moderately active users.**

ESK+

## Features

- Weight activated adjustable stance control
- Pneumatic swing phase control
- Stanceflex option improves comfort
- 140° of knee flexion
- 4-Bolt option reduces build height

## Specifications

<b>Max. User Weight:</b>	125kg
<b>Activity Level:</b>	2, 3, (4*)
<b>Component Weight:</b>	1.13kg Stanceflex 1.15kg 4-Bolt
<b>Build Height:</b>	See diagram
<b>Control Unit:</b>	Pneumatic

\* Maximum user weight 100kg



Suitable for outdoor use

## Part Numbers

Stanceflex options	<b>ESKSFP30</b> <b>ESKSFPYR</b>
4-Bolt options	<b>ESK4BP30</b> <b>ESK4BPPYR</b>



Pyramid option shown

## Stanceflex Rubber Hardness

<b>25°</b> 231608 Soft	<b>35°</b> 231606	<b>45°</b> 231607 Fitted as standard	<b>70°</b> 231609 Hard
------------------------------	----------------------	--	------------------------------

Careful selection of Stanceflex rubber is essential as it influences the action of the unit (see fitting information).

## Socket Adapters

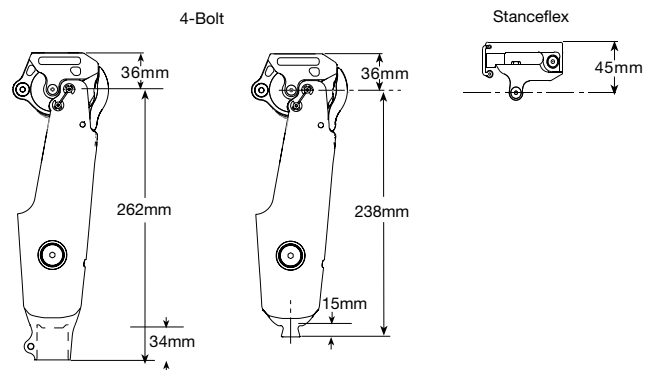
Stanceflex options



4-Bolt options



## Build Height

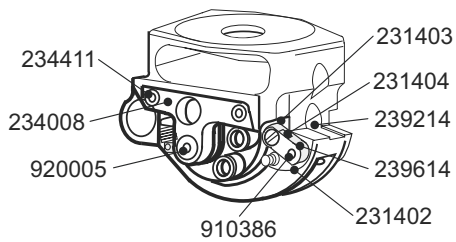




# ESK+ MKL Schematics

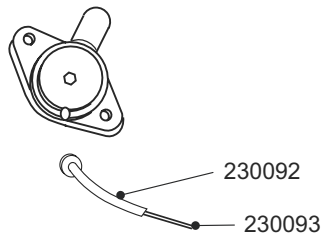
239440

## Single Bolt Chassis

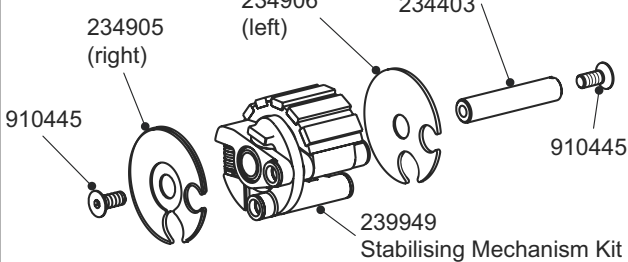


239640

## Thigh Release Kit



## Brake Band

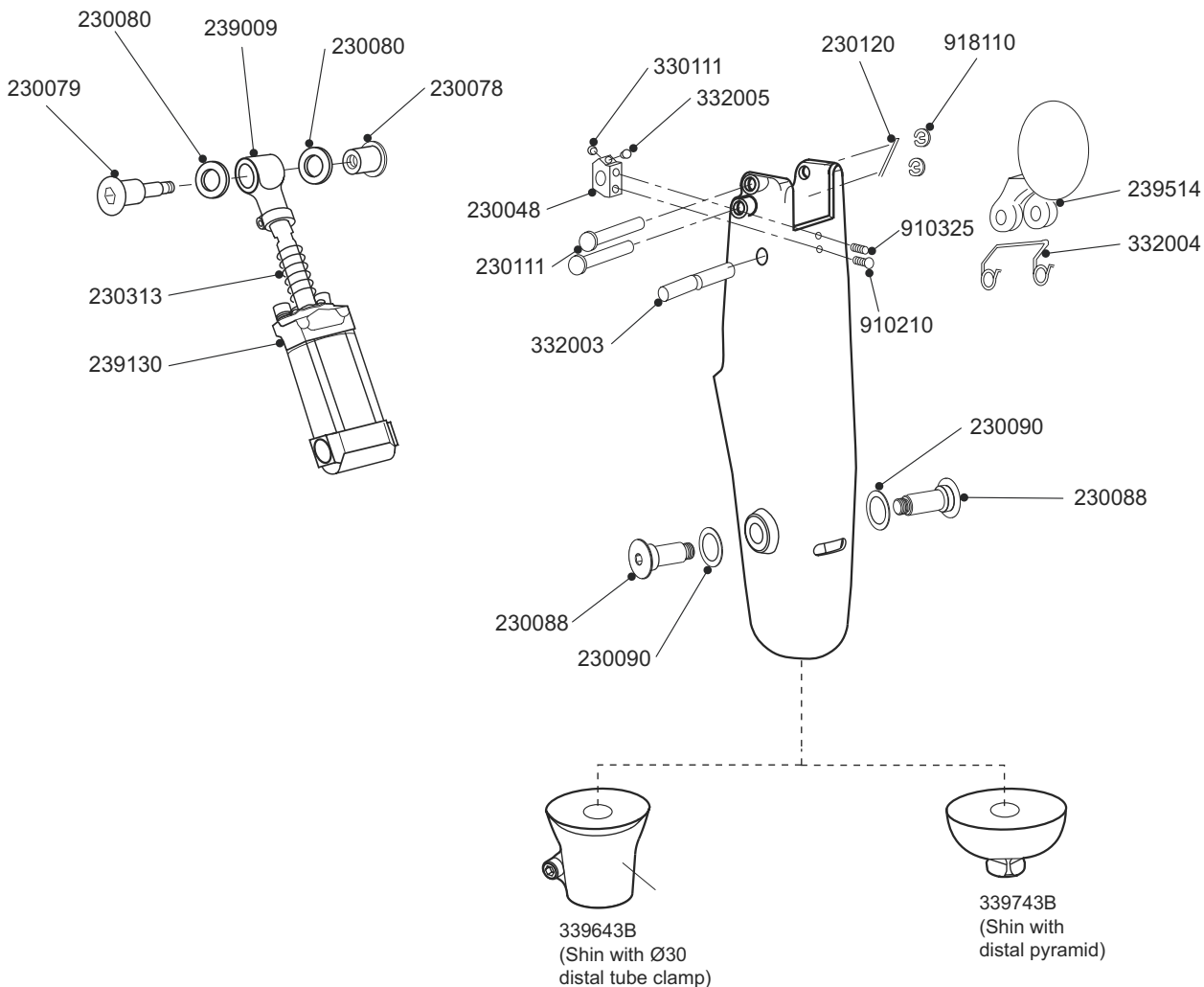


### Instructions for use

MKL thigh Release kit	938231
Knee	938230 & 938194
PSPC	938057

### Tools

ESK Mechanism alignment dummy pin	234914
-----------------------------------	--------



Build part numbers are for assembly guidance only and may not be for sale separately.

PSPC knee with weight activated stance control and manual knee lock for moderately active users.

# ESK+ MKL

## Features

- Weight activated stance control with lock option
- Pneumatic swing control
- Manual user-operated lock
- 115° knee flexion
- Universal thigh release lock operation
- Proximal full alignment

## Specifications

<b>Max. User Weight:</b>	125kg
<b>Activity Level:</b>	(1), 2, (3), (4*)
<b>Component Weight:</b>	1.2kg
<b>Build Height:</b>	See diagram
<b>Control Unit:</b>	Pneumatic/lock

\* Maximum user weight 100kg



Pyramid option shown

## Part Numbers

ESKSBMKLP30  
ESKSBMKLPPYR

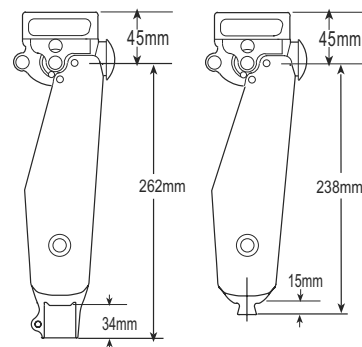
## Accessories

Thigh Release Kit                    239640 (included)

## Socket Adapters



## Build Height





Secure knee joint for use where locked knee extension is preferred.

# S200

## Features

- Rotatable pyramid for ease of alignment
- Low-profile semi-automatic lock
- Will unlock without toe load
- Audible lock engagement for safety

## Specifications

<b>Max. User Weight:</b>	100kg
<b>Activity Level:</b>	1-2
<b>Component Weight:</b>	358g
<b>Build Height:</b>	85mm

## Part Numbers

Knee

**ENS200**



Thigh Release Upgrade Kit  
Service/Repair Kit

**P239443**

**2-01-4S40J-SPK**



Polycentric locking knee that can be set as a SAKL or MKL.

# S400

## Features

- Compact low-profile polycentric locking knee
- Good sitting cosmesis
- Can be set as a SAKL, MKL or free knee
- Socket Adapters provide range of set up options
- Geometric lock at heel strike (when set in free knee)
- Adjustable extension assist spring
- Adjustable geometry to reposition ICR

## Specifications

<b>Max. User Weight:</b>	125kg/2 100kg/3
<b>Activity Level:</b>	2-3
<b>Component Weight:</b>	678g
<b>Build Height:</b>	130mm

## Part Numbers

Knee

**ENS400**



SAKL Thigh Release Kit

**P239443**

MKL Thigh Release Kit

**239640**

Service/Repair Kit

**2-01-S400L-SPK**

## Socket Adapters

Lotus Adapter (KD)

**2-01-S400L=LA-01**



Socket Attachment Plate

**2-01-S400L=SP-01**





**Slim and versatile knee with pneumatic swing phase control.**

# S500

## Features

- Slimline polycentric with pneumatic swing control
- Geometric lock at heel strike and stance
- Independent flexion/extension control adjustable
- Socket adapters provide range of set up options
- Geometric lock at heel strike (when set in free knee)
- Adjustable spring extension assist

## Specifications

<b>Max. User Weight:</b>	125kg
<b>Activity Level:</b>	2-3
<b>Component Weight:</b>	882g
<b>Build Height:</b>	220mm

## Part Numbers

Knee	<b>ENS500</b>
Service/Repair Kit	<b>2-01-S500-SPK</b>
Extension Stop Bumper	<b>2-01-S500-SPN004</b>

## Socket Adapters

Lotus Adapter (KD) **2-01-S400L=LA-01**



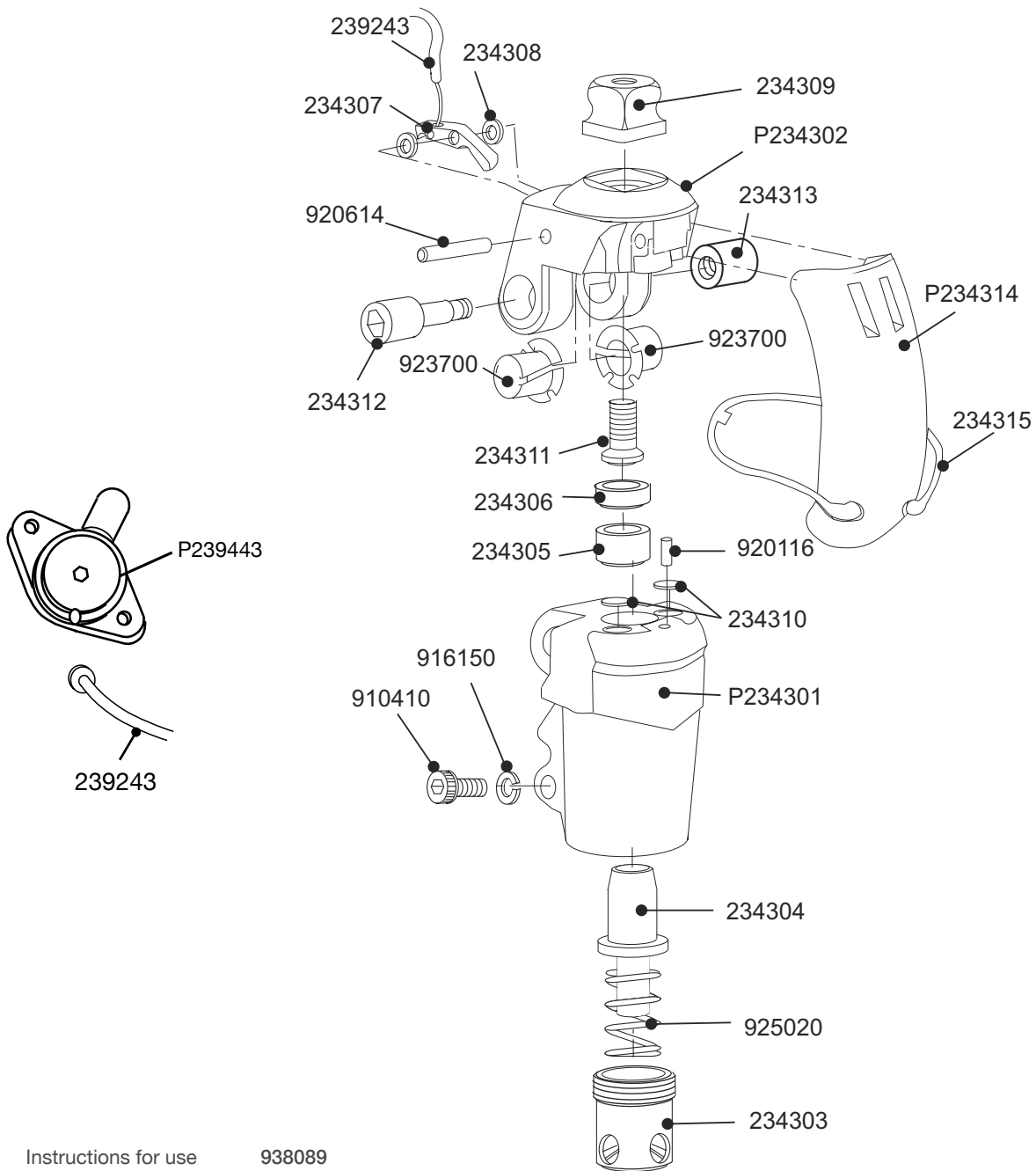
Socket Attachment Plate **2-01-S400L=SP-01**







# Compact SAKL Schematics



Instructions for use 938089

Compact and lightweight knee,  
ideal for low activity users.

# Compact SAKL

## Features

- Slim, low profile knee
- 140° knee flexion
- Locks automatically on extension
- Thigh release

## Specifications

<b>Max. User Weight:</b>	125kg
<b>Activity Level:</b>	1-2
<b>Component Weight:</b>	325g
<b>Build Height:</b>	See diagram
<b>Control Unit:</b>	SAKL



Side view shown



Suitable for outdoor use

## Part Number

**P239143**

## Accessories

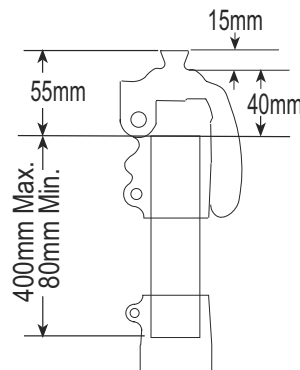
Thigh Release Kit (release lever only)	<b>P239443</b>
Thigh Release Cable	<b>239243</b>

## Socket Adapters

**P409049**



## Build Height



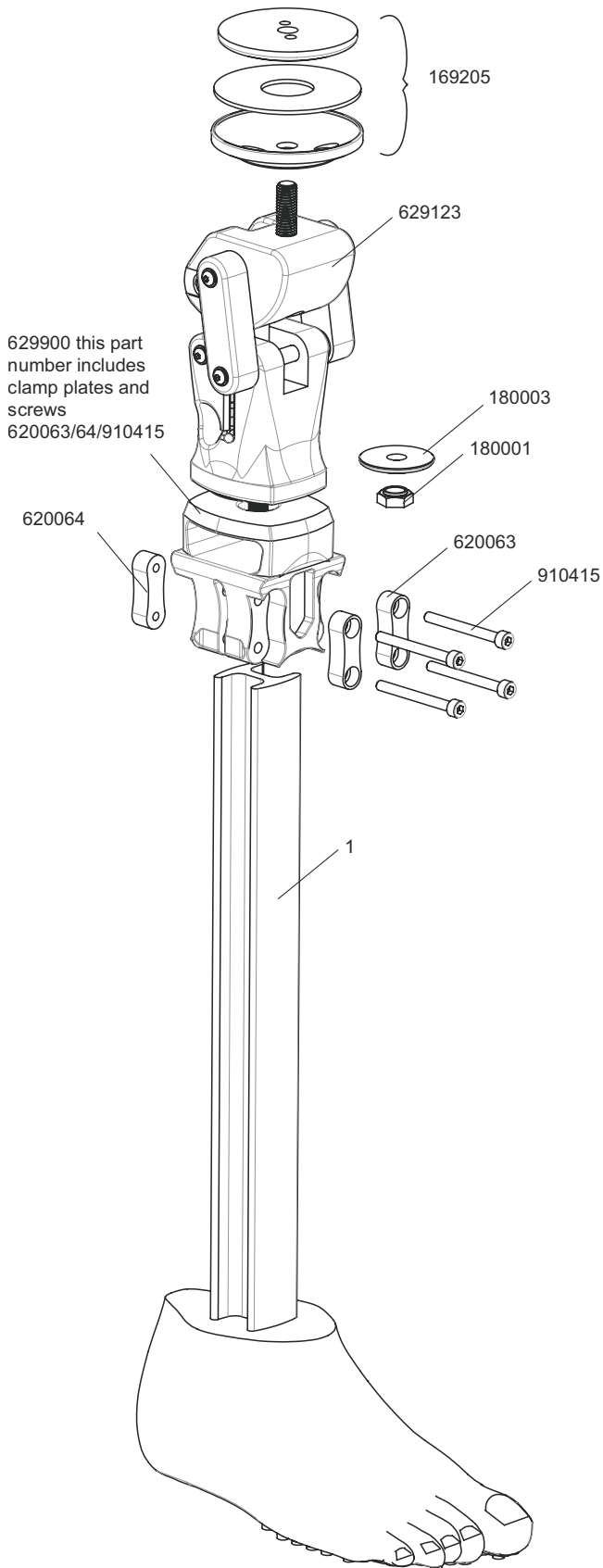


# Aqualimb TF

## 1. Foot Moulding:

Left	Part Number	Right	Part Number
22L	629049	22R	629050
23L	629051	23R	629052
24L	629053	24R	629054
25L	629055	25R <td 629056	
26L	629057	26R	629058
27L	629059	27R	629060

Instructions for use 938321



Build part numbers are for assembly guidance only and may not be for sale separately.

A waterproof prosthesis designed for use in the shower and wet environments.

# Aqualimb TF

## Features

- Machined polycentric linkage designed knee to improve security
- Manual lock option to increase stability
- Rapid assembly
- Anti-slip tread pattern on sole

## Specifications

<b>Max. User Weight:</b>	100kg
<b>Activity Level:</b>	1-2
<b>Size Range:</b>	22cm-27cm
<b>Component Weight†:</b>	2.0kg
<b>Build Height:</b>	400-585mm
<b>Heel Height:</b>	5mm

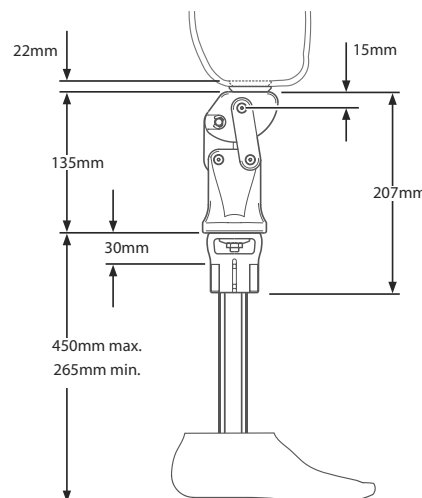


## Order Example

Product Code	Size	Side
AQTF	25	L

Foot example: AqualimbTF, size 25 left.

## Build Height

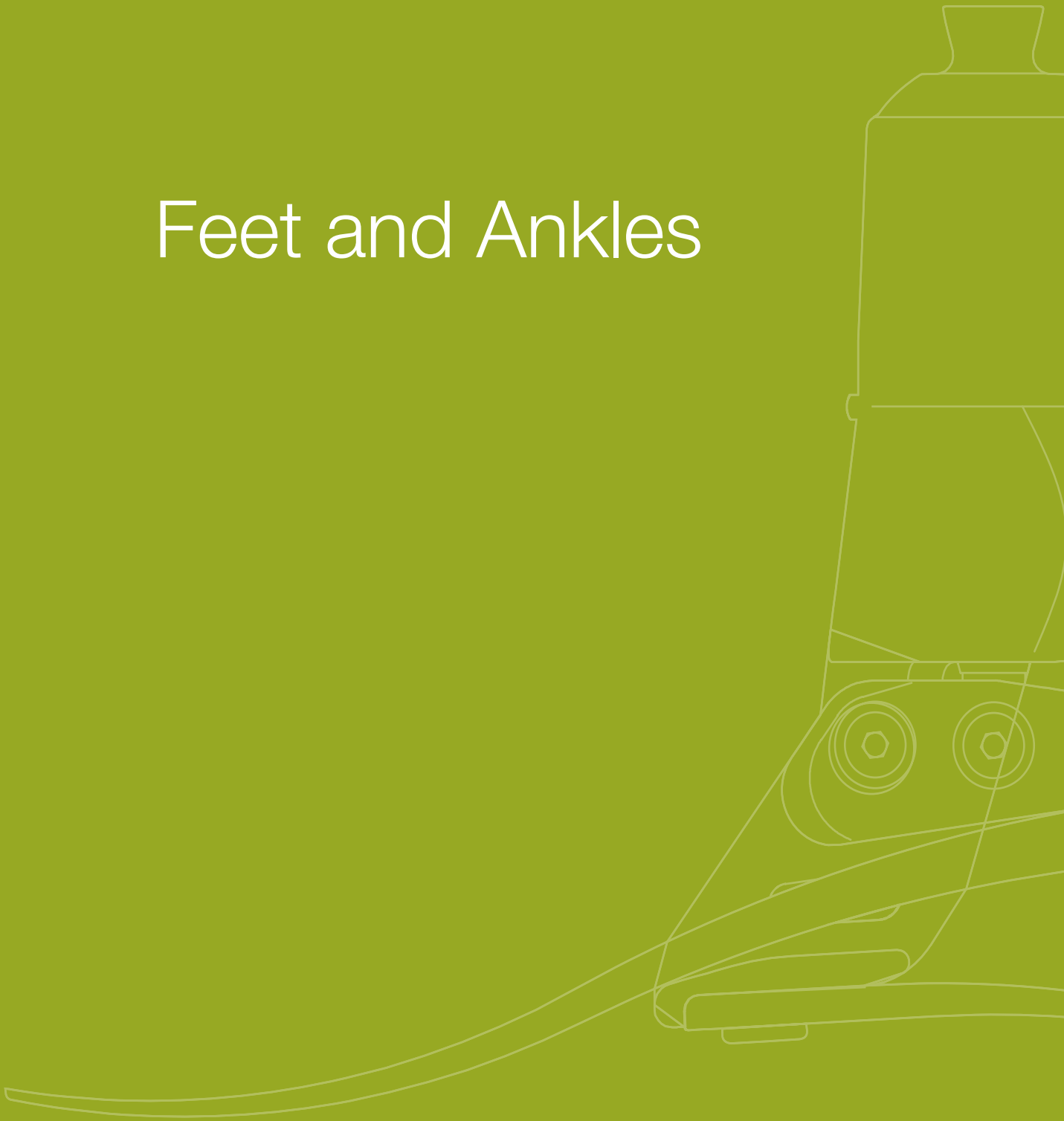








# Feet and Ankles





# Elan Schematics

## 1 Spring Kits:

Foot Size	Foot Size	Foot Size	Foot Size
22-24	25-26	27-28	29-30
Set 1 - 539801S	Set 1 - 539810S	Set 1 - 539819S	Set 1 - 539828S
Set 2 - 539802S	Set 2 - 539811S	Set 2 - 539820S	Set 2 - 539829S
Set 3 - 539803S	Set 3 - 539812S	Set 3 - 539821S	Set 3 - 539830S
Set 4 - 539804S	Set 4 - 539813S	Set 4 - 539822S	Set 4 - 539831S
Set 5 - 539805S	Set 5 - 539814S	Set 5 - 539823S	Set 5 - 539832S
Set 6 - 539806S	Set 6 - 539815S	Set 6 - 539824S	Set 6 - 539833S
Set 7 - 539807S	Set 7 - 539816S	Set 7 - 539825S	Set 7 - 539834S
Set 8 - 539808S	Set 8 - 539817S	Set 8 - 539826S	Set 8 - 539835S

2 Glide Sock: 22-26 - 531011, 27-30 - 532811

## 3 Foot shells:\*

Foot size Left/Right	Narrow	Wide
22L	539038S	-
22R	539039S	-
23L	539040S	-
23R	539041S	-
24L	539042S	-
24R	539043S	-
25L	539044SN	539044SW
25R	539045SN	539045SW
26L	539046SN	539046SW
26R	539047SN	539047SW
27L	539048SN	539048SW
27R	539049SN	539049SW
28L	-	539050S
28R	-	539051S
29L	-	539052S
29R	-	539053S
30L	-	539054S
30R	-	539055S

\*For dark tone add suffix D

## 4 Carrier assembly - Elan Loaner Module

Resistance	Size		
	Small	Medium	Large
68	409061E-LNR	409064E-LNR	409067E-LNR
100	409062E-LNR	409065E-LNR	409068E-LNR
150	409063E-LNR	409066E-LNR	409069E-LNR

Bluetooth dongle 409093  
 Clinician's manual 938317S

Elan battery charger kit 409087E

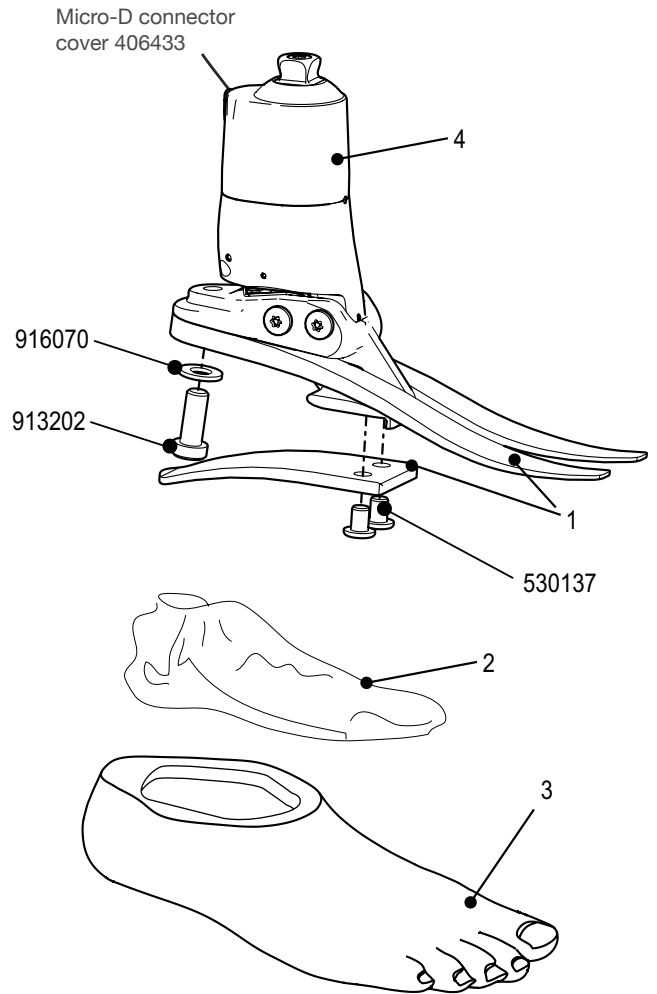
### Includes:

Battery charger 950215  
 Battery charger adapter (UK) 950103  
 Battery charger adapter (USA) 950104  
 Battery charger adapter (EURO) 950105  
 Charger adapter cable 409091

Elan comms kit 406431E

### Includes:

External USB bluetooth adapter 950129  
 Comms cable (USB to TTL) 950928  
 Comms cable adapter 409078  
 Interface cable  
 (micro D to comms cable adapter) 409084  
 Elan software USB fob 406413E



Build part numbers are for assembly guidance only and may not be for sale separately.

Microprocessor-controlled hydraulic ankle/foot for terrain response and speed control.

Elan

## Features

- Microprocessor controlled self-aligning plantar flexion and dorsiflexion
- Standing support mode increases resistance when stationary to help improve balance, stability, reduce effort and encourage a more natural posture
- Variable response to speed changes
- Increased plantar flexion resistance allows for more energy storage and return when walking quickly or up slopes
- Ankle remains dorsiflexed during swing phase to increase toe clearance and reduce risk of trips and falls
- Batteries contained within ankle
- Increased dorsiflexion resistance provides a brake when walking down slopes for improved safety and stability
- Sandal Toe Footshell

Foot shell and glide sock included.



## Specifications

<b>Max. User Weight:</b>	125kg*
<b>Activity Level:</b>	(2), 3, (4**)
<b>Size Range:</b>	22cm-30cm
<b>Component Weight:</b>	920g†
<b>Build Height:</b>	170mm sizes 22-26 175mm sizes 27-30
<b>Heel Height:</b>	10mm

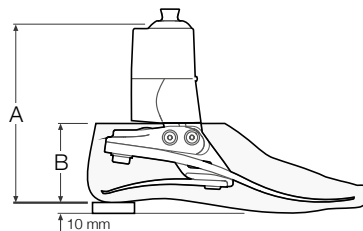


## Order Example

Product Code	Size	Side	Width*	Spring Set	Sandal Toe
<b>ELAN</b>	<b>25</b>	<b>L</b>	<b>N</b>	<b>3</b>	<b>S</b>

\*Narrow (N) and Wide (W) available for sizes 25-27 only.  
For dark tone add suffix D.  
Example: foot size 25, left, narrow, spring rating 3, sandal toe.

## Build Height



Sizes	A	B
22-26	170mm	65mm
27-28		70mm
29-30	175mm	75mm

## Accessories

Alignment Wedge	<b>940093</b>	
Spare Battery Charger Kit	<b>409087E</b>	
Endolite Programming Tablet	<b>019179</b>	

Activity Level 2 and 4\*\* users who would benefit from this foot will require softer or stiffer springs as appropriate for the individual. Refer to Instructions for Use for further information.  
Spring set recommendations are for trans-tibial users. For trans-femoral we suggest selecting a spring set one level lower.

Activity  
3

### User Weight

44-52	53-59	60-68	69-77	78-88	89-100	101-116	117-125	kg
100-115	116-130	131-150	151-170	171-195	196-220	221-255	256-275	lbs

1	2	3	4	5	6	7	8	Spring set



\*For weights above 125kg up to 150kg contact an Endolite representative.  
\*\*Maximum user weight 100 kg and always use one higher spring rate category than shown in Spring selection table.  
†Component weight shown is for a size 26cm without foot shell.



# EchelonVAC Schematics

## 1 Spring Kits:

Foot Size	Foot Size	Foot Size	Foot Size
22-24	25-26	27-28	29-30
Set 1 - 539801S	Set 1 - 539810S	Set 1 - 539819S	Set 1 - 539828S
Set 2 - 539802S	Set 2 - 539811S	Set 2 - 539820S	Set 2 - 539829S
Set 3 - 539803S	Set 3 - 539812S	Set 3 - 539821S	Set 3 - 539830S
Set 4 - 539804S	Set 4 - 539813S	Set 4 - 539822S	Set 4 - 539831S
Set 5 - 539805S	Set 5 - 539814S	Set 5 - 539823S	Set 5 - 539832S
Set 6 - 539806S	Set 6 - 539815S	Set 6 - 539824S	Set 6 - 539833S
Set 7 - 539807S	Set 7 - 539816S	Set 7 - 539825S	Set 7 - 539834S
Set 8 - 539808S	Set 8 - 539817S	Set 8 - 539826S	Set 8 - 539835S

## 2 Glide Sock

Sizes 22-26	531011
Sizes 27-30	532811

## 3 Foot shells:\*

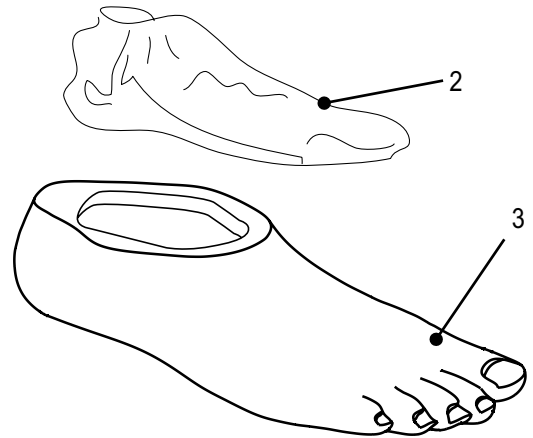
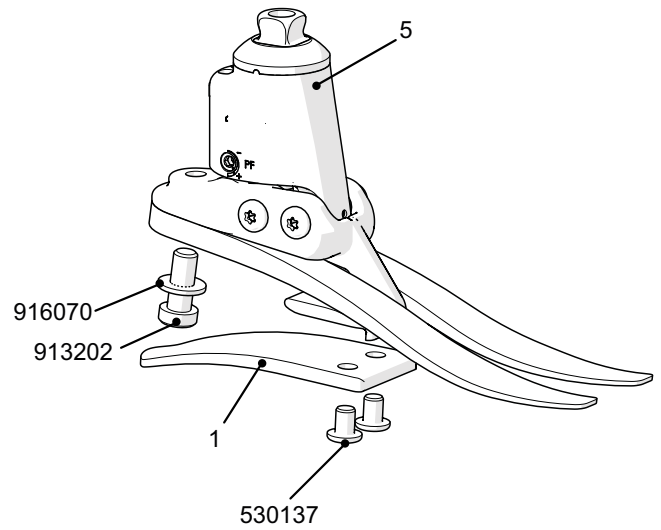
Foot size Left/Right	Narrow	Wide
22L	539038S	-
22R	539039S	-
23L	539040S	-
23R	539041S	-
24L	539042S	-
24R	539043S	-
25L	539044SN	539044SW
25R	539045SN	539045SW
26L	539046SN	539046SW
26R	539047SN	539047SW
27L	539048SN	539048SW
27R	539049SN	539049SW
28L	-	539050S
28R	-	539051S
29L	-	539052S
29R	-	539053S
30L	-	539054S
30R	-	539055S

\*For dark tone add suffix D

## 5 Carrier Assembly

Size	
Small: 22-24	409263VAC
Medium: 25-26	409363VAC
Large: 27-30	409463VAC

Instructions for use 938367S



Hydraulic ankle technology paired with an elevated vacuum system for a secure and comfortable socket connection.

# EchelonVAC

## Features

- Biomimetic Hydraulic Technology with integrated elevated vacuum
- Walking motion generates a natural vacuum
- No power required, quiet gentle operation
- Lightweight, compact design
- Low build height
- E-carbon springs for efficient energy return
- Split toe design for ground compliance on uneven terrain
- Sandal Toe Footshell



## Specifications

<b>Max. User Weight:</b>	125kg
<b>Activity Level:</b>	(2), 3, (4*)
<b>Size Range:</b>	22-30cm
<b>Component Weight:</b>	700g <sup>†</sup>
<b>Maximum Vacuum:</b>	17" Hg
<b>Build Height:</b>	121mm sizes 22-24 126mm sizes 25-26 131mm sizes 27-30
<b>Heel Height:</b>	10mm



Suitable for outdoor use


## Order Example

Product Code	Size	Side	Width*	Spring Set	Sandal Toe
<b>EVAC</b>	<b>25</b>	<b>L</b>	<b>N</b>	<b>3</b>	<b>S</b>

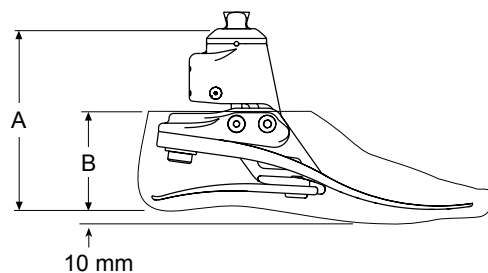
\*Narrow (N) and Wide (W) available for sizes 25-27 only.  
For dark tone add suffix D.  
Example: foot size 25, left, narrow, spring rating 3, sandal toe.

## Accessories

Valves recommended for use with EchelonVAC can be found on page 128.

Alignment Wedge	<b>940093</b>	
4mm Adjuster Key	<b>940236</b>	
Socket Connection Kit	<b>409663</b>	
Check Valve Service Kit	<b>409863</b>	

## Build Height



Size	A	Size	B
22-24	121 mm	22-26	65 mm
25-26	126 mm	27-28	70 mm
27-30	131 mm	29-30	75 mm

Activity Level 2 and 4\* users who would benefit from this foot will require softer or stiffer springs as appropriate for the individual. Refer to Instructions for Use for further information.

Spring set recommendations are for trans-tibial users. For trans-femoral we suggest selecting a spring set one level lower.

Activity  
3

### User Weight

44-52	53-59	60-68	69-77	78-88	89-100	101-116	117-125	kg
100-115	116-130	131-150	151-170	171-195	196-220	221-255	256-275	lbs

1	2	3	4	5	6	7	8	Spring set
---	---	---	---	---	---	---	---	------------



\*Maximum user weight 100 kg and always use one higher spring rate category than shown in Spring selection table.  
<sup>†</sup>Component weight shown is for a size 26cm without foot shell.



# EchelonVT Schematics

## 1 Spring Kits:

Foot Size	Foot Size	Foot Size	Foot Size
22-24	25-26	27-28	29-30
Set 1 - 539801S	Set 1 - 539810S	Set 1 - 539819S	Set 1 - 539828S
Set 2 - 539802S	Set 2 - 539811S	Set 2 - 539820S	Set 2 - 539829S
Set 3 - 539803S	Set 3 - 539812S	Set 3 - 539821S	Set 3 - 539830S
Set 4 - 539804S	Set 4 - 539813S	Set 4 - 539822S	Set 4 - 539831S
Set 5 - 539805S	Set 5 - 539814S	Set 5 - 539823S	Set 5 - 539832S
Set 6 - 539806S	Set 6 - 539815S	Set 6 - 539824S	Set 6 - 539833S
Set 7 - 539807S	Set 7 - 539816S	Set 7 - 539825S	Set 7 - 539834S
Set 8 - 539808S	Set 8 - 539817S	Set 8 - 539826S	Set 8 - 539835S

## 2 Glide Sock

Sizes 22-26	531011
Sizes 27-30	532811

## 3 Foot shells:\*

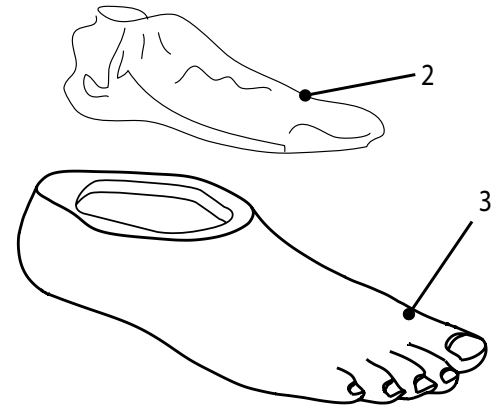
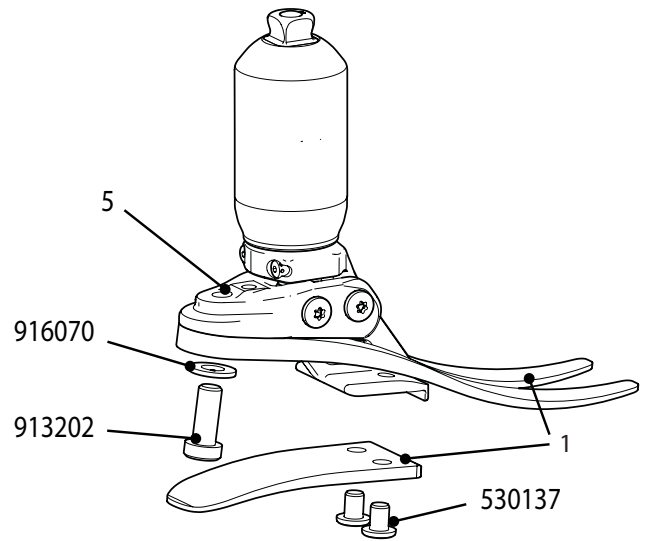
Foot size Left/Right	Narrow	Wide
22L	539038S	-
22R	539039S	-
23L	539040S	-
23R	539041S	-
24L	539042S	-
24R	539043S	-
25L	539044SN	539044SW
25R	539045SN	539045SW
26L	539046SN	539046SW
26R	539047SN	539047SW
27L	539048SN	539048SW
27R	539049SN	539049SW
28L	-	539050S
28R	-	539051S
29L	-	539052S
29R	-	539053S
30L	-	539054S
30R	-	539055S

\*For dark tone add suffix D

## 5 Carrier assembly

Size	Rate			
	1	2	3	4
Small: 22, 23 & 24	539062	539063	539064	539065
Medium: 25 & 26	539066	539067	539068	539069
Large: 27 to 30	539070	539071	539072	539073

Instructions for use 938315S



**Biomimetic hydraulic ankle/foot with shock absorber, rotation and split toe for terrain conformance.**

# EchelonVT

## Features

- Hydraulic control of dorsi-flexion and plantar-flexion
- Dorsi-flexed toe for swing phase
- Rotation and vertical shock absorption
- Tripod action for conformance and vertical compliance
- Smooth hydraulic and spring action
- Slimline foot design
- Responsive e-carbon foot springs
- Sandal Toe Footshell

Foot shell and glide sock included.



## Specifications

<b>Max. Amputee weight:</b>	125kg
<b>Activity Level:</b>	(2), 3, (4*)
<b>Size Range:</b>	22cm-30cm
<b>Component Weight:</b>	855g†
<b>Build Height:</b>	168mm sizes 22-24 173mm sizes 25-26 178mm sizes 27-30
<b>Heel Height:</b>	10mm



## Order Example

Product Code	Size	Side	Width*	Spring Set	Axial Spring	Sandal Toe
<b>ECVT</b>	<b>25</b>	<b>L</b>	<b>N</b>	<b>5</b>	<b>3</b>	<b>S</b>

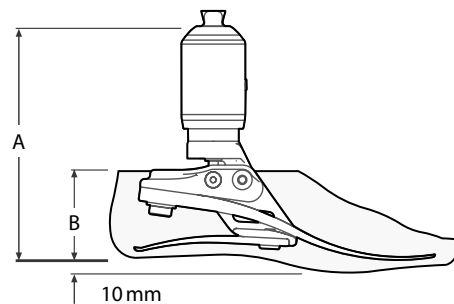
\*Narrow (N) and Wide (W) available for sizes 25-27 only.  
For dark tone add suffix D.  
Example: foot size 25, left, narrow, spring rating 5, axial spring 3, sandal toe

## Accessories

Alignment Wedge **940093** 

Foot Shell Cover **539096** 

## Build Height



Size	A	Size	B
22-24	168mm	22-26	65mm
25-26	173mm	27-28	70mm
27-30	178mm	29-30	75mm

Activity Level 2 and 4\* users who would benefit from this foot will require softer or stiffer springs as appropriate for the individual.

Spring set recommendations are for trans-tibial users. For trans-femoral we suggest selecting a spring set one level lower.

Activity	User Weight								Foot spring set
	44-52 100-115	53-59 116-130	60-68 131-150	69-77 151-170	78-88 171-195	89-100 196-220	101-116 221-255	117-125 256-275	
3	1	2	3	4	5	6	7	8	
		•		••		•••		••••	◀ Axial shock spring rate indicated as shown
		1		2		3		4	◀ Axial spring



\*Maximum user weight 100 kg and always use one higher spring rate category than shown in Spring selection table.  
†Component weight shown is for a size 26cm without foot shell.



# Echelon

## 1 Spring Kits

Foot Size	Foot size	Foot size	Foot size
22-24	25-26	27-28	29-30
Set 1 - 539801S	Set 1 - 539810S	Set 1 - 539819S	Set 1 - 539828S
Set 2 - 539802S	Set 2 - 539811S	Set 2 - 539820S	Set 2 - 539829S
Set 3 - 539803S	Set 3 - 539812S	Set 3 - 539821S	Set 3 - 539830S
Set 4 - 539804S	Set 4 - 539813S	Set 4 - 539822S	Set 4 - 539831S
Set 5 - 539805S	Set 5 - 539814S	Set 5 - 539823S	Set 5 - 539832S
Set 6 - 539806S	Set 6 - 539815S	Set 6 - 539824S	Set 6 - 539833S
Set 7 - 539807S	Set 7 - 539816S	Set 7 - 539825S	Set 7 - 539834S
Set 8 - 539808S	Set 8 - 539817S	Set 8 - 539826S	Set 8 - 539835S

## 2 Foot shells:\*

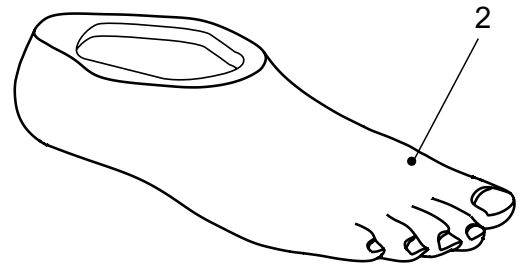
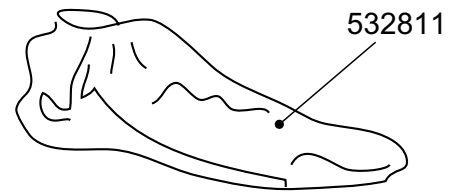
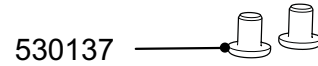
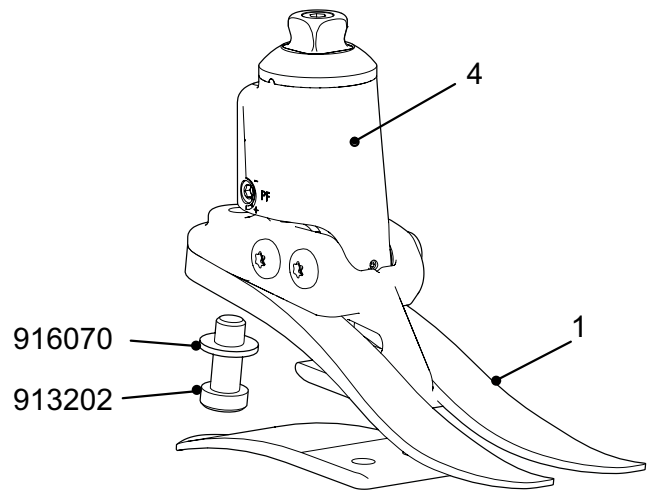
Foot size Left/Right	Narrow	Wide
22L	539038S	-
22R	539039S	-
23L	539040S	-
23R	539041S	-
24L	539042S	-
24R	539043S	-
25L	539044SN	539044SW
25R	539045SN	539045SW
26L	539046SN	539046SW
26R	539047SN	539047SW
27L	539048SN	539048SW
27R	539049SN	539049SW
28L	-	539050S
28R	-	539051S
29L	-	539052S
29R	-	539053S
30L	-	539054S
30R	-	539055S

\*For dark tone add suffix D

## 4 Carrier Assembly:

Small 22-24	409263
Medium 25-26	409363
Large 27-30	409463

Instructions for use 938280S



**Biomimetic hydraulic ankle control and split toe for stability on uneven or sloping terrain.**

# Echelon

## Features

- Independent hydraulic control of plantar and dorsi-flexion
- Biomimetic design simulates natural ankle motion
- Toe up for swing through clearance
- Natural toe position for sitting
- e-carbon heel and toe springs
- Elegant and compact for cosmetic finish
- Sandal Toe Footshell

Foot shell and glide sock included.



## Specifications

<b>Max. User Weight:</b>	125kg
<b>Activity Level:</b>	(2), 3, (4*)
<b>Size Range:</b>	22cm-30cm
<b>Component Weight:</b>	688g†
<b>Build Height:</b>	115mm sizes 22-24 120mm sizes 25-26 125mm sizes 27-30
<b>Heel Height:</b>	10mm



## Order Example

Product Code	Size	Side	Width*	Spring Set	Sandal Toe
<b>EC</b>	<b>25</b>	<b>L</b>	<b>N</b>	<b>3</b>	<b>S</b>

\*Narrow (N) and Wide (W) available for sizes 25-27 only.  
For dark tone add suffix D.  
Example: foot size 25, left, narrow, spring rating 3, sandal toe.

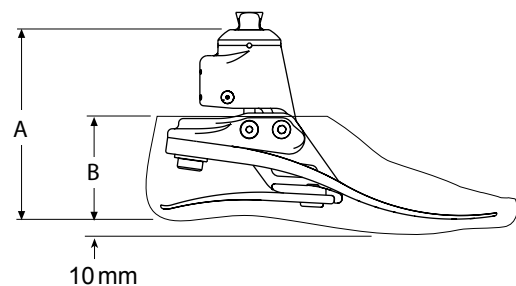
## Accessories

Alignment Wedge

940093



## Build Height



Size	A	Size	B
22-24	115mm	22-26	65mm
25-26	120mm	27-28	70mm
27-30	125mm	29-30	75mm

Activity Level 2 and 4\* users who would benefit from this foot will require softer or stiffer springs as appropriate for the individual. Refer to Instructions for Use for further information. Spring set recommendations are for trans-tibial users. For trans-femoral we suggest selecting a spring set one level lower.

Activity  
3

### User Weight

44-52	53-59	60-68	69-77	78-88	89-100	101-116	117-125	kg
100-115	116-130	131-150	151-170	171-195	196-220	221-255	256-275	lbs

1	2	3	4	5	6	7	8
---	---	---	---	---	---	---	---

Spring set



\*Maximum user weight 100kg and always use one higher spring rate category than shown in the Spring Set Selection table.  
†Component weight shown is for a size 26cm without foot shell.



# Elite2 Schematics

## 1 Spring Kits

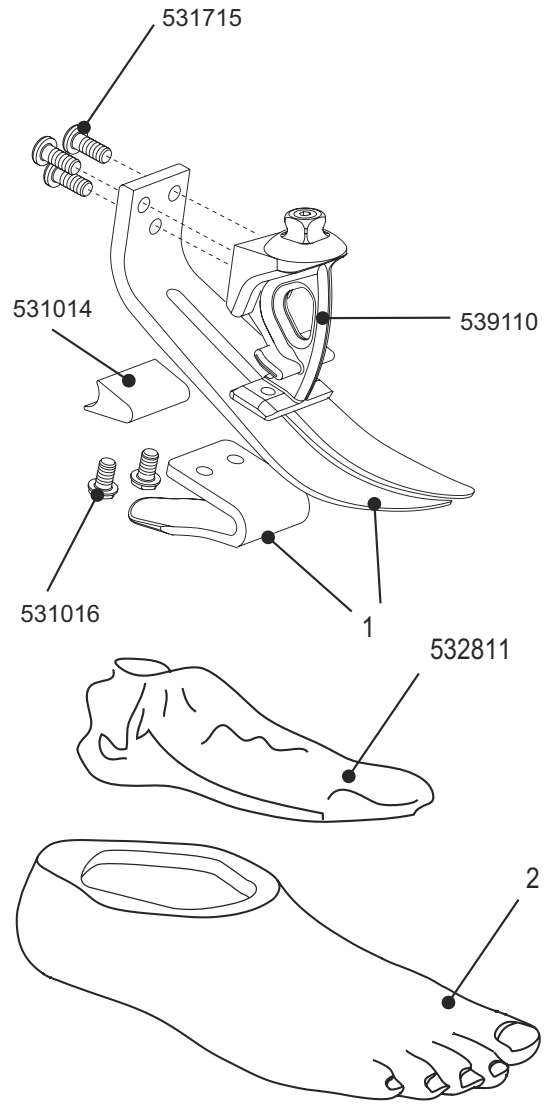
Foot Size	Foot size	Foot size
24-26	27-28	29-30
Set 1 - 539710	Set 1 - 539719	Set 1 - Special
Set 2 - 539711	Set 2 - 539720	Set 2 - order only
Set 3 - 539712	Set 3 - 539721	Set 3 - 539730
Set 4 - 539713	Set 4 - 539722	Set 4 - 539731
Set 5 - 539714	Set 5 - 539723	Set 5 - 539732
Set 6 - 539715	Set 6 - 539724	Set 6 - 539733
Set 7 - 539716	Set 7 - 539725	Set 7 - 539734
Set 8 - 539717	Set 8 - 539726	Set 8 - 539735
Set 9 - 539718	Set 9 - 539727	Set 9 - 539736

## 2 Foot shell:\*

Left	Part Number	Right	Part Number
24L	539005	24R	539006
25L	539007	25R	539008
26L	539009	26R	539010
27L	539011	27R	539012
28L	539013	28R	539014
29L	539015	29R	539016
30L	539017	30R	539018

\*For dark tone add suffix D

Instructions for use 938223



Lightweight activity foot for efficient energy return.

Elite2

## Features

- Enhanced e-carbon foot springs
- Ground compliance from Tripod System™
- Split toe
- Lightweight design
- Variable spring stiffness heel wedge
- Low build height and easy to finish

Foot shell and glide sock included.



## Specifications

<b>Max. User Weight:</b>	166kg
<b>Activity Level:</b>	(2), 3, 4
<b>Size Range:</b>	24cm-30cm
<b>Component Weight:</b>	420g <sup>†</sup>
<b>Build Height:</b>	130mm
<b>Heel Height:</b>	10mm



Suitable for submersion

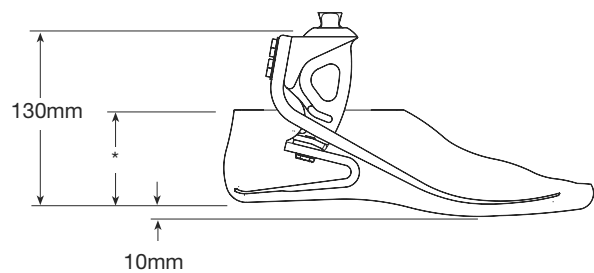
## Order Example

Product Code	Size	Side	Spring Set
<b>EL</b>	<b>25</b>	<b>L</b>	<b>5</b>

For dark tone add suffix D.

Foot example: Elite2, size 25 left, spring rating 5.

## Build Height



\* sizes 24/28 = 70mm  
29/30 = 80mm

	Impact	Activity	User Weight										Foot spring set
			44-52	53-59	60-68	69-77	78-88	89-100	101-116	117-130	131-147	148-166 kg	
Low	3	1	1	2	3	4	5	6	7	8	9		
Mod	4	1	2	3	4	5	6	7	8	9	-		
High	4	2	3	4	5	6	7	8	9	-	-		

Spring set recommendations are for trans-tibial users. For trans-femoral use we suggest selecting a spring set one level lower.

<sup>†</sup>Component weight shown is for a size 26cm without foot shell.

# EliteVT Schematics

## 1 Spring Kits

Foot Size	Foot Size	Foot Size
24-26	27-28	29-30

Set 1 - 539710	Set 1 - 539719	Set 1 - Special
Set 2 - 539711	Set 2 - 539720	Set 2 - order only
Set 3 - 539712	Set 3 - 539721	Set 3 - 539730
Set 4 - 539713	Set 4 - 539722	Set 4 - 539731
Set 5 - 539714	Set 5 - 539723	Set 5 - 539732
Set 6 - 539715	Set 6 - 539724	Set 6 - 539733
Set 7 - 539716	Set 7 - 539725	Set 7 - 539734
Set 8 - 539717	Set 8 - 539726	Set 8 - 539735
Set 9 - 539718	Set 9 - 539727	Set 9 - 539736

## 2 Foot shells\*

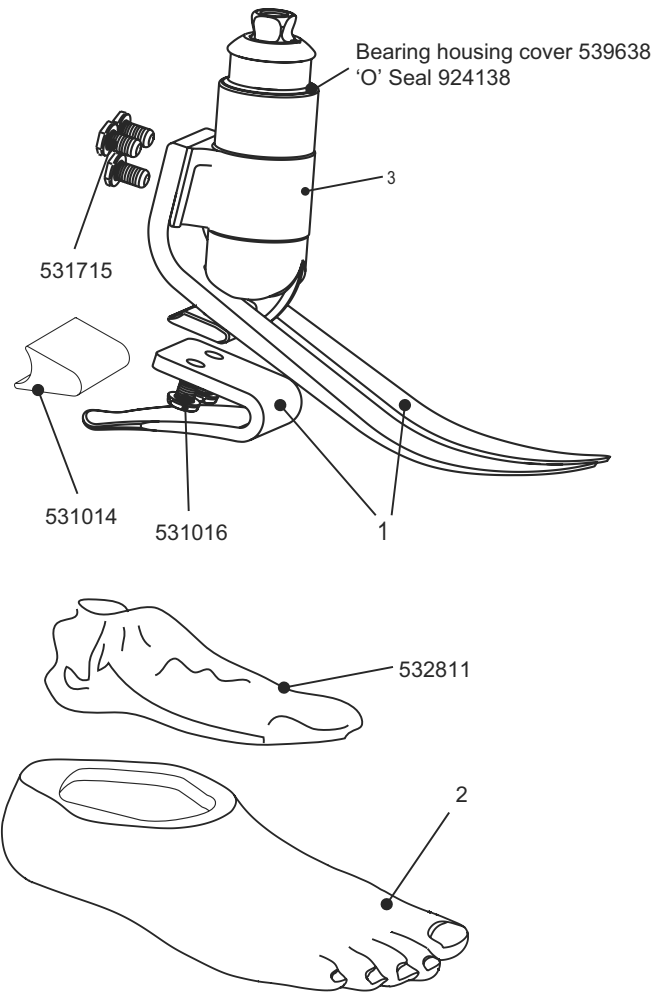
Left	Part Number	Right	Part Number
24L	539005	24R	539006
25L	539007	25R	539008
26L	539009	26R	539010
27L	539011	27R	539012
28L	539013	28R	539014
29L	539015	29R	539016
30L	539017	30R	539018

\*For dark tone add suffix D

## 3 Carrier assembly

Rate 1 - 539138	Axial Shock Springs (not shown)
Rate 2 - 539238	Rate 1 - 539058
Rate 3 - 539338	Rate 2 - 539059
Rate 4 - 539438	Rate 3 - 539060
	Rate 4 - 539061

Instructions for use 938289





Active foot with integral shock absorption, rotation and flexibility.

EliteVT

## Features

- Precision titanium spring for vertical compression and axial rotation
- Progressive response to axial loading
- Controlled and efficient energy return
- Independent e-carbon foot springs
- Variable spring stiffness heel wedge
- Compact, low maintenance and cosmetic

Foot shell and glide sock included.



## Specifications

<b>Max. User Weight:</b>	166kg
<b>Activity Level:</b>	3-4
<b>Max. Rotation:</b>	+/-15deg
<b>Size Range:</b>	24cm-30cm
<b>Component Weight:</b>	750g†
<b>Build Height:</b>	170mm
<b>Heel Height:</b>	10mm



Suitable for outdoor use

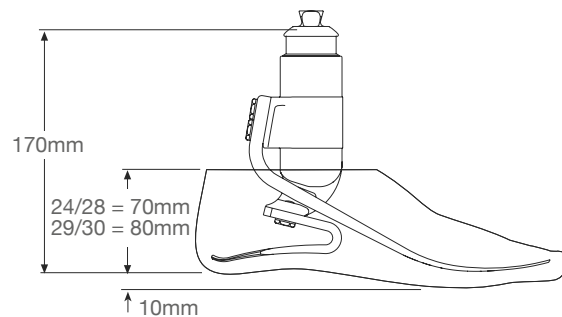
## Order Example

Product Code	Size	Side	Spring Set	Shock Spring
<b>EVT</b>	<b>25</b>	<b>L</b>	<b>7</b>	<b>3</b>

For dark tone add suffix D.

Foot example: EliteVT, size 25 left, spring set 7, shock spring 3.

## Build Height



Impact Activity	User Weight										Foot spring set
	44-52 100-115	53-59 116-130	60-68 131-150	69-77 151-170	78-88 171-195	89-100 196-220	101-116 221-255	117-130 256-285	131-147 286-325	148-166 326-365	
Low 3	1	1	2	3	4	5	6	7	8	9	4 3
Mod 4	1	2	3	4	5	6	7	8	9	-	
High 4	2	3	4	5	6	7	8	9	-	-	
Spring set recommendations are for trans-tibial users. For trans-femoral use we suggest selecting a spring set one level lower.		♣ 1	♣ 2	♣ 3	♣ 4						

†Component weight shown is for a size 26cm without foot shell.

# Epirus Schematics

## 1 Spring Kits

Foot Size	Foot size	Foot size	Foot size
22-24	25-26	27-28	29-30
Set 1 - 539801S	Set 1 - 539810S	Set 1 - 539819S	Set 1 - 539828S
Set 2 - 539802S	Set 2 - 539811S	Set 2 - 539820S	Set 2 - 539829S
Set 3 - 539803S	Set 3 - 539812S	Set 3 - 539821S	Set 3 - 539830S
Set 4 - 539804S	Set 4 - 539813S	Set 4 - 539822S	Set 4 - 539831S
Set 5 - 539805S	Set 5 - 539814S	Set 5 - 539823S	Set 5 - 539832S
Set 6 - 539806S	Set 6 - 539815S	Set 6 - 539824S	Set 6 - 539833S
Set 7 - 539807S	Set 7 - 539816S	Set 7 - 539825S	Set 7 - 539834S
Set 8 - 539808S	Set 8 - 539817S	Set 8 - 539826S	Set 8 - 539835S

## 2 Glide Sock

Sizes 22 to 26	531011
Sizes 27 to 30	532811

## 3 Foot shells:\*

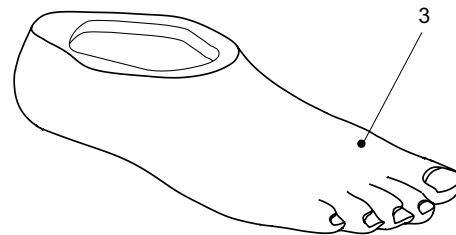
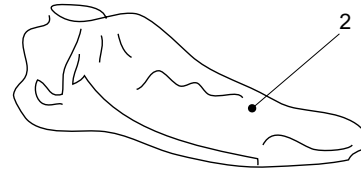
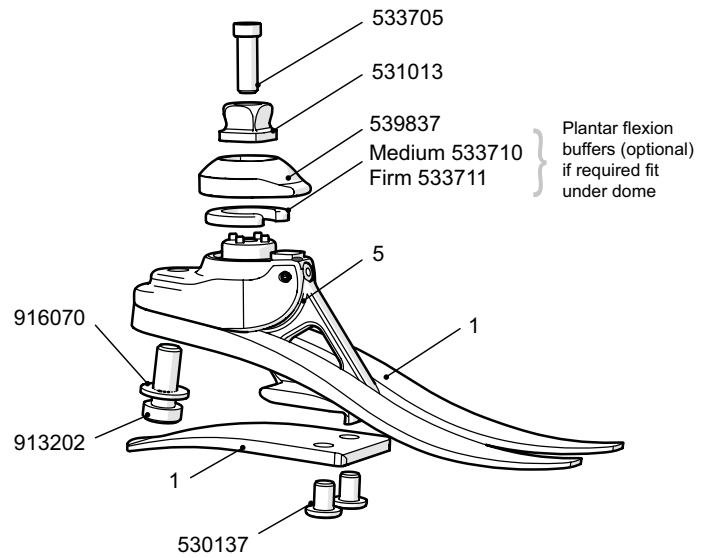
Foot size Left/Right	Narrow	Wide
22L	539038S	-
22R	539039S	-
23L	539040S	-
23R	539041S	-
24L	539042S	-
24R	539043S	-
25L	539044SN	539044SW
25R	539045SN	539045SW
26L	539046SN	539046SW
26R	539047SN	539047SW
27L	539048SN	539048SW
27R	539049SN	539049SW
28L	-	539050S
28R	-	539051S
29L	-	539052S
29R	-	539053S
30L	-	539054S
30R	-	539055S

\*For dark tone add suffix D

## 5 Carrier Assembly

Small 22-24	539437
Medium 25-26	539537
Large 27-30	539637

Instructions for use 938276S



Low profile foot with ankle joint and split toe.

# Epirus

## Features

- Multi-axial ankle motion with tripod stability
- Independent e-carbon foot springs
- Choice of PF and DF stiffness
- Ground compliance and energy efficient response
- Sandal Toe Footshell

Foot shell and glide sock included.



## Specifications

<b>Max. User Weight:</b>	125kg
<b>Activity Level:</b>	(2), 3, (4*)
<b>Size Range:</b>	22cm-30cm
<b>Component Weight:</b>	400g <sup>†</sup>
<b>Build Height:</b>	85mm
<b>Heel Height:</b>	10mm



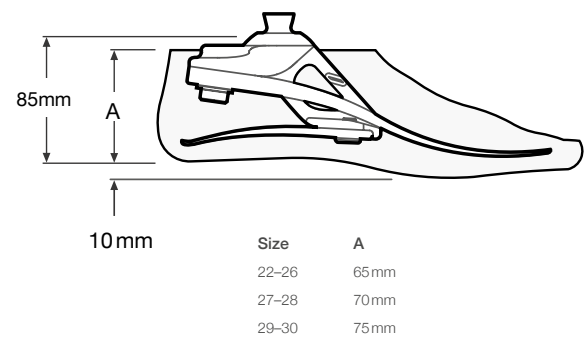
Suitable for outdoor use

## Order Example

Product Code	Size	Side	Width*	Spring Set	Sandal Toe
<b>EP</b>	<b>25</b>	<b>L</b>	<b>N</b>	<b>3</b>	<b>S</b>

\*Narrow (N) and Wide (W) available for sizes 25-27 only.  
For dark tone add suffix D.  
Example: foot size 25, left, narrow, spring rating 3, sandal toe.

## Build Height



Activity Level 2 and 4\* users who would benefit from this foot will require softer or stiffer springs as appropriate for the individual. Refer to Instructions for Use for further information.

Spring set recommendations are for trans-tibial users. For trans-femoral we suggest selecting a spring set one level lower.

Activity  
3

### User Weight

44-52	53-59	60-68	69-77	78-88	89-100	101-116	117-125	kg
100-115	116-130	131-150	151-170	171-195	196-220	221-255	256-275	lbs

1	2	3	4	5	6	7	8
---	---	---	---	---	---	---	---

Spring set



\*Maximum user weight 100kg and always use one higher spring rate category than shown in the Spring Set Selection table.

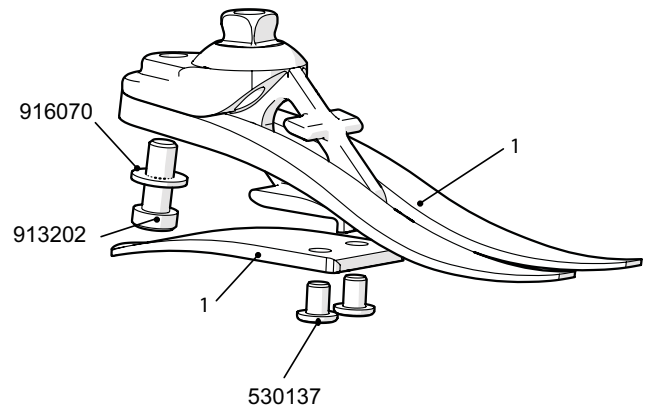
<sup>†</sup>Component weight shown is for a size 26cm without foot shell.



# Esprit Schematics

## 1 Spring Kits:

Foot Size	Foot Size	Foot Size	Foot Size
22-24	25-26	27-28	29-30
Set 1 - 539801S	Set 1 - 539810S	Set 1 - 539819S	Set 1 - 539828S
Set 2 - 539802S	Set 2 - 539811S	Set 2 - 539820S	Set 2 - 539829S
Set 3 - 539803S	Set 3 - 539812S	Set 3 - 539821S	Set 3 - 539830S
Set 4 - 539804S	Set 4 - 539813S	Set 4 - 539822S	Set 4 - 539831S
Set 5 - 539805S	Set 5 - 539814S	Set 5 - 539823S	Set 5 - 539832S
Set 6 - 539806S	Set 6 - 539815S	Set 6 - 539824S	Set 6 - 539833S
Set 7 - 539807S	Set 7 - 539816S	Set 7 - 539825S	Set 7 - 539834S
Set 8 - 539808S	Set 8 - 539817S	Set 8 - 539826S	Set 8 - 539835S



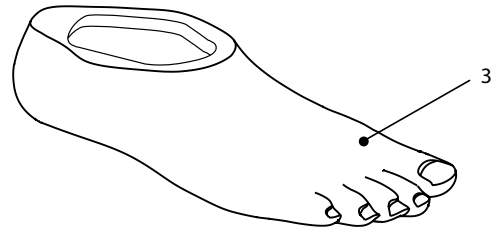
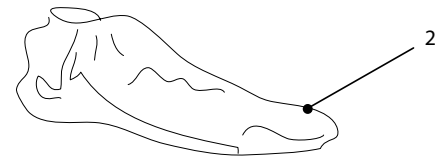
## 2 Glide Sock

Sizes 22-26	531011
Sizes 27-30	532811

## 3 Foot shells:\*

Foot size Left/Right	Narrow	Wide
22L	539038S	-
22R	539039S	-
23L	539040S	-
23R	539041S	-
24L	539042S	-
24R	539043S	-
25L	539044SN	539044SW
25R	539045SN	539045SW
26L	539046SN	539046SW
26R	539047SN	539047SW
27L	539048SN	539048SW
27R	539049SN	539049SW
28L	-	539050S
28R	-	539051S
29L	-	539052S
29R	-	539053S
30L	-	539054S
30R	-	539055S

\*For dark tone add suffix D



Instructions for use

938264S

Low profile foot with split toe springs for energy response.

## Features

- Low profile foot with e-carbon springs
- Lightweight and easy to finish
- Tripod design with split toe
- Ideal for longer residual limbs or where additional components are required
- Sandal Toe Footshell

Foot shell and glide sock included.



## Specifications

<b>Max. User Weight:</b>	125kg
<b>Activity Level:</b>	(2), 3, (4*)
<b>Size Range:</b>	22cm-30cm
<b>Component Weight:</b>	317g†
<b>Build Height:</b>	65mm size 22-24 70mm size 25-26 75mm size 27-30
<b>Heel Height:</b>	10mm



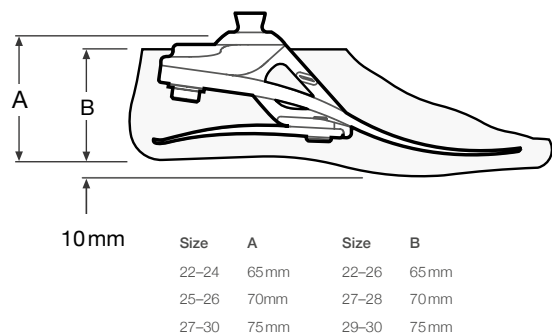
Suitable for submersion

## Order Example

Product Code	Size	Side	Width*	Spring Set	Sandal Toe
ESP	25	L	N	3	S

\*Narrow (N) and Wide (W) available for sizes 25-27 only. For dark tone add suffix D.  
Example: foot size 25, left, narrow, spring rating 3, sandal toe.

## Build Height



Activity Level 2 and 4\* users who would benefit from this foot will require softer or stiffer springs as appropriate for the individual. Refer to Instructions for Use for further information.

Spring set recommendations are for trans-tibial users. For trans-femoral we suggest selecting a spring set one level lower.

Activity  
3

### User Weight

44-52	53-59	60-68	69-77	78-88	89-100	101-116	117-125	kg
100-115	116-130	131-150	151-170	171-195	196-220	221-255	256-275	lbs

1	2	3	4	5	6	7	8
---	---	---	---	---	---	---	---

Spring set



†Component weight shown is for a size 26cm without foot shell.

\*Maximum user weight 100kg and always use one higher spring rate category than shown in the Spring Set Selection table.

# Elite Blade Schematics

## 1 Spring Kits:

Foot Size	Foot Size	Foot Size
24-26	27-28	29-30
Set 1 - 539610	Set 1 - 539619	Set 1 - Special
Set 2 - 539611	Set 2 - 539620	Set 2 - order only
Set 3 - 539612	Set 3 - 539621	Set 3 - 539630
Set 4 - 539613	Set 4 - 539622	Set 4 - 539631
Set 5 - 539614	Set 5 - 539623	Set 5 - 539632
Set 6 - 539615	Set 6 - 539624	Set 6 - 539633
Set 7 - 539616	Set 7 - 539625	Set 7 - 539634
Set 8 - 539617	Set 8 - 539626	Set 8 - 539635
Set 9 - 539618	Set 9 - 539627	Set 9 - 539636

2 Glide Sock: All sizes - 532811

## 3 Foot shells:\*

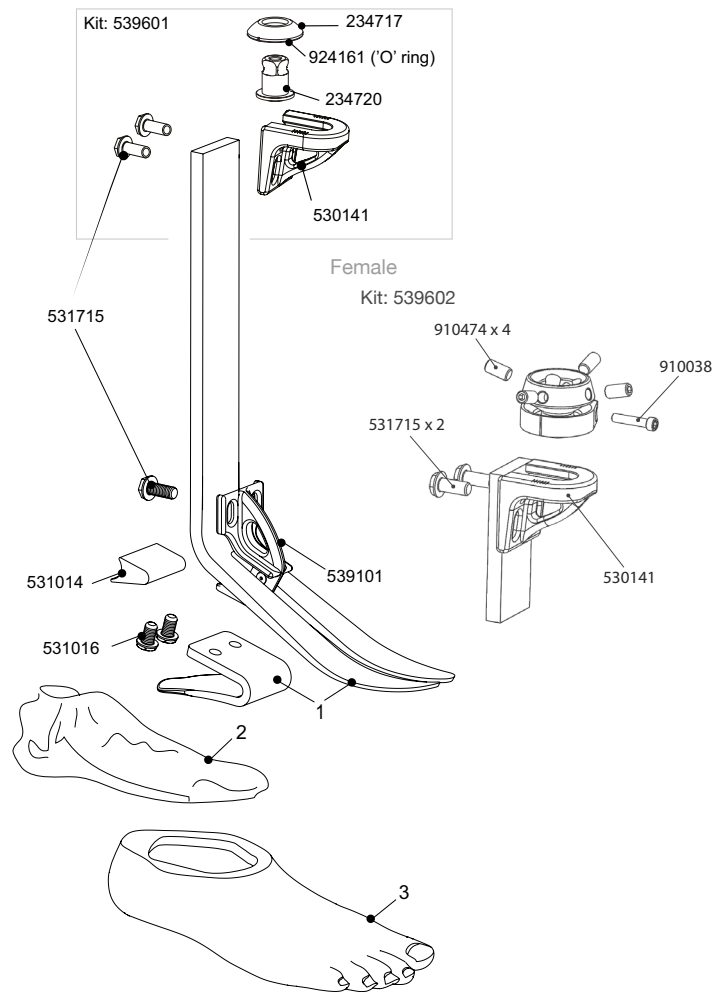
Left	Part Number	Right	Part Number
24L	539005	24R	539006
25L	539007	25R	539008
26L	539009	26R	539010
27L	539011	27R	539012
28L	539013	28R	539014
29L	539015	29R	539016
30L	539017	30R	539018

\*For dark tone add suffix D

## Fitting Clamp:

Elite Blade Cutting Jig 941255  
Use also as cutting and drilling guide. Available separately.

Instructions For Use 938295



Build part numbers are for assembly guidance only and may not be for sale separately.



**Flexible and lightweight blade for high energy return.**

# Elite Blade

## Features

- e-carbon foot with independent springs
- Lightweight with dynamic forward progression
- Spring range from low to high impact
- Variable spring stiffness heel wedge
- Male or female sliding & rotating housings

Foot shell and glide sock included.

## Specifications

<b>Max. User Weight:</b>	166kg
<b>Activity Level:</b>	3-4
<b>Size Range:</b>	24cm-30cm
<b>Component Weight:</b>	500g <sup>†</sup>
<b>Build Height:</b>	200mm - 365mm (min - max)
<b>Heel Height:</b>	10mm






## Order Example

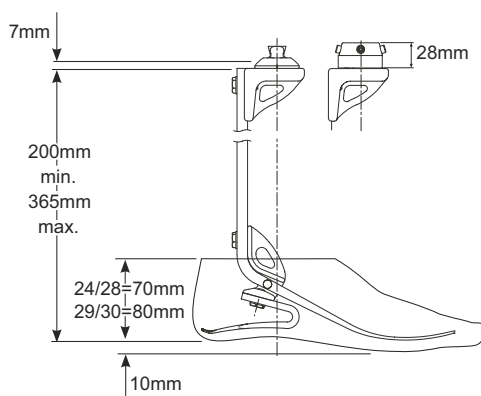
Product Code	Size	Side	Spring Set	+ Top Housing
<b>EB</b>	<b>25</b>	<b>L</b>	<b>5</b>	<b>Adapter</b>

For dark tone add suffix D.  
Foot examples: Elite Blade, size 25 left, spring rating 5

## Accessories

Foot Shell Cover	<b>539087</b>	
Top housing male	<b>539601</b>	
Top housing female	<b>539602</b>	

## Build Height



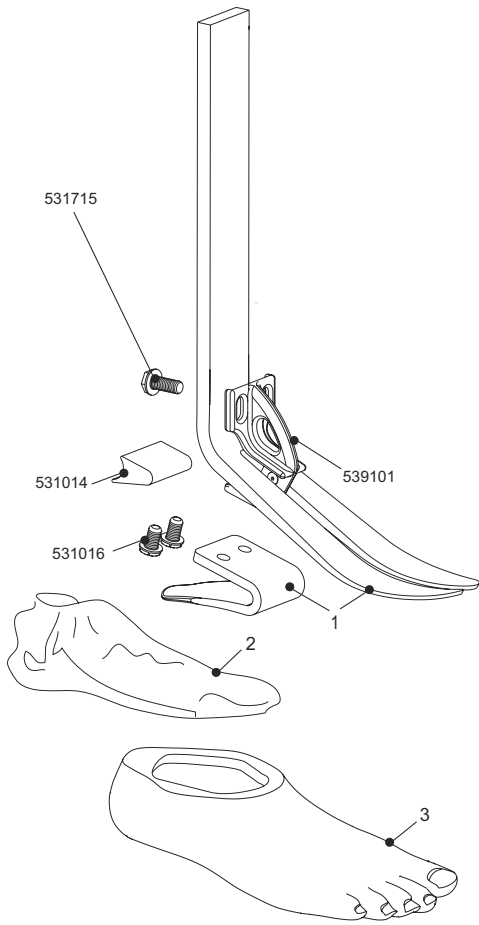
Impact	Activity	User Weight										Foot spring set
		44-52 100-115	53-59 116-130	60-68 131-150	69-77 151-170	78-88 171-195	89-100 196-220	101-116 221-255	117-130 256-285	131-147 286-325	148-166 kg 326-365 lbs	
Low	3	1	1	2	3	4	5	6	7	8	9	
Mod	4	1	2	3	4	5	6	7	8	9	-	
High	4	2	3	4	5	6	7	8	9	-	-	

Spring set recommendations are for trans-tibial users. For trans-femoral use we suggest selecting a spring set one level lower.

<sup>†</sup>Component weight shown is for a size 26cm without foot shell.



# Elite BladeVT Schematics



## 1 Spring Kits

Foot Size	Foot Size	Foot Size
24-26	27-28	29-30
Set 1 - 539610	Set 1 - 539619	Set 1 - Special
Set 2 - 539611	Set 2 - 539620	Set 2 - order only
Set 3 - 539612	Set 3 - 539621	Set 3 - 539630
Set 4 - 539613	Set 4 - 539622	Set 4 - 539631
Set 5 - 539614	Set 5 - 539623	Set 5 - 539632
Set 6 - 539615	Set 6 - 539624	Set 6 - 539633
Set 7 - 539616	Set 7 - 539625	Set 7 - 539634
Set 8 - 539617	Set 8 - 539626	Set 8 - 539635
Set 9 - 539618	Set 9 - 539627	Set 9 - 539636

2 Glide Sock: All sizes - 532811

## 3 Foot shells:\*

Left	Part Number	Right	Part Number
24L	539005	24R	539006
25L	539007	25R	539008
26L	539009	26R	539010
27L	539011	27R	539012
28L	539013	28R	539014
29L	539015	29R	539016
30L	539017	30R	539018

\*For dark tone add suffix D

Fitting clamp - 941255 fitting clamp for alignment and set-up.  
Use also as cutting and drilling guide. Available separately

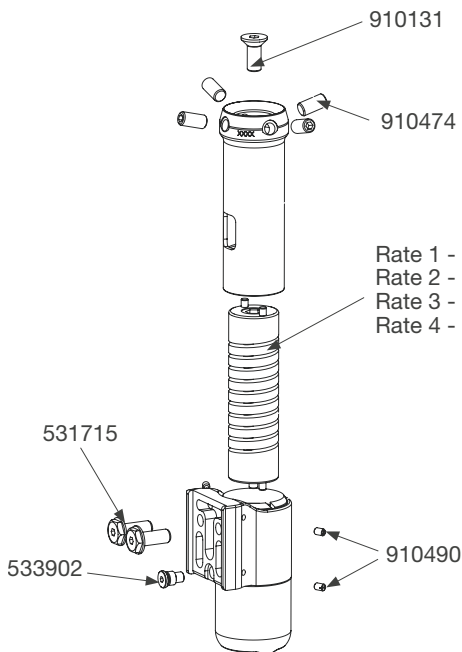
VT (male): VTM1, VTM2, VTM3, VTM4.

VT (female): VTF1, VTF2, VTF3, VTF4.

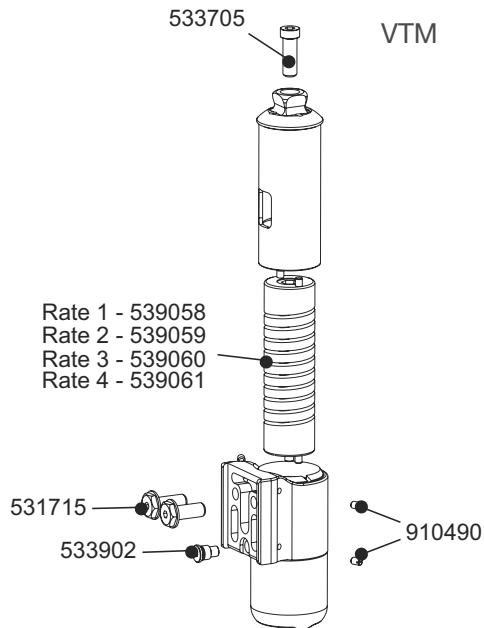
VT cutting jig - 941256

## Instructions for Use:

Elite Blade	938295
VTM	938312
VTF	938319
Cutting Jig	938314



VTF



VTM

Build part numbers are for assembly guidance only and may not be for sale separately.

Flexible blade with shock absorption and rotation device.

# Elite BladeVT

## Features

- Powerful and dynamic forward progression
- Precision machined spring for vertical compression and axial rotation
- Controlled and efficient energy return
- Independent e-carbon foot springs
- Variable spring stiffness heel wedge
- Slimline design is easy to finish

Foot shell and glide sock included.

## Specifications

<b>Max. User Weight:</b>	166kg
<b>Activity Level:</b>	3-4
<b>Max. Rotation</b>	+/-15deg
<b>Size Range:</b>	24cm-30cm
<b>Component Weight:</b>	1030g†
<b>Build Height VTM:</b>	215mm - 380mm (min - max)
<b>Build Height VTF:</b>	233mm - 398mm (min - max)
<b>Heel Height:</b>	10mm



Suitable for outdoor use

## Order Example

Product Code	Size	Side	Spring Selection	VT Selection	
<b>EB</b>	<b>25</b>	<b>L</b>	<b>5</b>	Male <b>VTM1</b> <b>VTM2</b> <b>VTM3</b> <b>VTM4</b>	Female <b>VTF1</b> <b>VTF2</b> <b>VTF3</b> <b>VTF4</b>

For dark tone add suffix D.

Foot example: Elite BladeVT, size 25 left, spring rating 5.

## Accessories

Foot Shell Cover

539087



## Tools



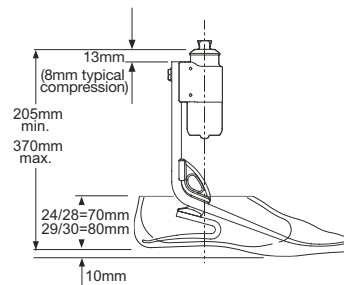
Cutting/drill & fitting jig

VT 941256

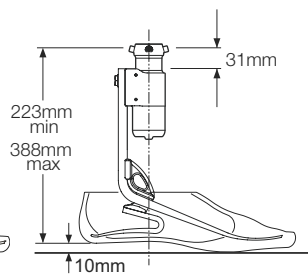
Blade 941255

## Build Height

VTM:



VTF:



Impact Activity	User Weight										Foot spring set
	44-52 100-115	53-59 116-130	60-68 131-150	69-77 151-170	78-88 171-195	89-100 196-220	101-116 221-255	117-130 256-285	131-147 286-325	148-166 kg 326-365 lbs	
Low 3	1	1	2	3	4	5	6	7	8	9	Foot spring set
Mod 4	1	2	3	4	5	6	7	8	9	-	
High 4	2	3	4	5	6	7	8	9	-	-	
Spring set recommendations are for trans-tibial users. For trans-femoral use we suggest selecting a spring set one level lower.	♣	♣		♣		♣		♣			◀ Axial shock rate spring indicated as shown ◀ Axial shock spring

†Component weight shown is for a size 26cm without foot shell.



# BladeXT Schematics

## 1 BXT Heel Spring Kits

Include the overmoulded cover, fasteners and heel wedge.

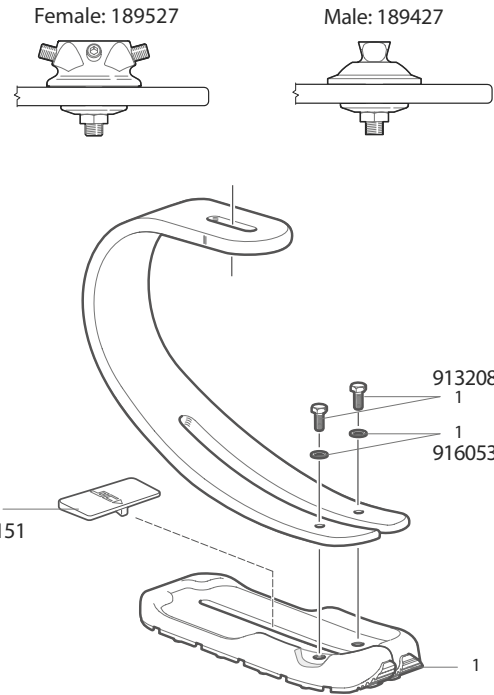
Spring Category	Heel Type	Part No.
1, 2	Soft Sports	539083SS
3, 4, 5	Medium Sports	539083MS
6, 7	Firm Sports	539083FS

## Proximal Adapter

Male	189427
Female	189527

Instructions for use 938345

Build part numbers are for assembly guidance only and may not be for sale separately.



Sports blade with powerful twin toe spring and traction heel for postural support and grip.

# BladeXT

## Features

- Ideal for cross training, running, bat and ball sports
- Controlled acceleration and deceleration
- Ease of alignment incl. A/P slide
- Variable spring stiffness heel wedge
- Heel stiffness adjustment

## Specifications

<b>Max. User Weight:</b>	166kg
<b>Activity Level:</b>	4
<b>Spring range:</b>	1-9
<b>Component Weight:</b>	850g cat. 6
<b>Build Height:</b>	250mm (female pyramid) 230mm (male pyramid)



Suitable for submersion

## Order Example

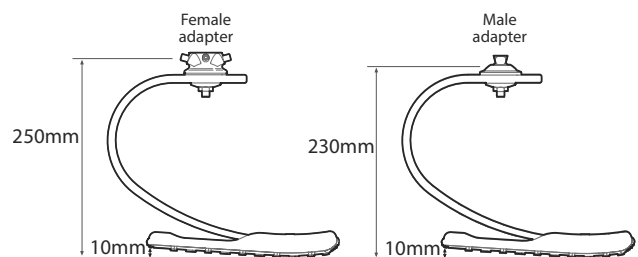
Product Code	Spring Set	Sole	Adapter Type
<b>BXTAG</b>	<b>3</b>	<b>S</b>	<b>F</b>

Foot example: BladeXT, spring rating 3, sport sole, female adapter

Product Code	Spring Set	Sole	Adapter Type
<b>BXTAG</b>	<b>4</b>	<b>S</b>	<b>M</b>

Foot example: BladeXT, spring rating 4, sport sole, male adapter

## Build Height



User	Activity	User Weight										kg lbs
		44-52 100-115	53-59 116-130	60-68 131-150	69-77 151-170	78-88 171-195	89-100 196-220	101-116 221-255	117-130 256-285	131-147 286-325	148-166 326-365	
Jogger	4	1	2	3	4	5	6	7	8	9	9	Foot spring set
Runner	4	2	3	4	5	6	7	8	9	9	-	

Important: For higher impact users, do not exceed the weight limit for individual springs.

4

# Javelin Schematics

## 1 Spring Kits:

Foot Size	Foot Size	Foot Size	Foot Size
22-24	25-26	27-28	29-30
Set 1 - 539301S	Set 1 - 539510S	Set 1 - 539519S	Special
Set 2 - 539302S	Set 2 - 539511S	Set 2 - 539520S	Order Only
Set 3 - 539303S	Set 3 - 539512S	Set 3 - 539521S	Set 3 - 539530S
Set 4 - 539304S	Set 4 - 539513S	Set 4 - 539522S	Set 4 - 539531S
Set 5 - 539305S	Set 5 - 539514S	Set 5 - 539523S	Set 5 - 539532S
Set 6 - 539306S	Set 6 - 539515S	Set 6 - 539524S	Set 6 - 539533S
Set 7 - 539307S	Set 7 - 539516S	Set 7 - 539525S	Set 7 - 539534S
Set 8 - 539308S	Set 8 - 539517S	Set 8 - 539526S	Set 8 - 539535S
Set 9 - -	Set 9 - 539518S	Set 9 - 539527S	Set 9 - 539536S

## 2 Foot shells:\*

Foot size Left/Right	Narrow	Wide
22L	539038S	-
22R	539039S	-
23L	539040S	-
23R	539041S	-
24L	539042S	-
24R	539043S	-
25L	539044SN	539044SW
25R	539045SN	539045SW
26L	539046SN	539046SW
26R	539047SN	539047SW
27L	539048SN	539048SW
27R	539049SN	539049SW
28L	-	539050S
28R	-	539051S
29L	-	539052S
29R	-	539053S
30L	-	539054S
30R	-	539055S

\*For dark tone add suffix D

## 3 Glide Sock

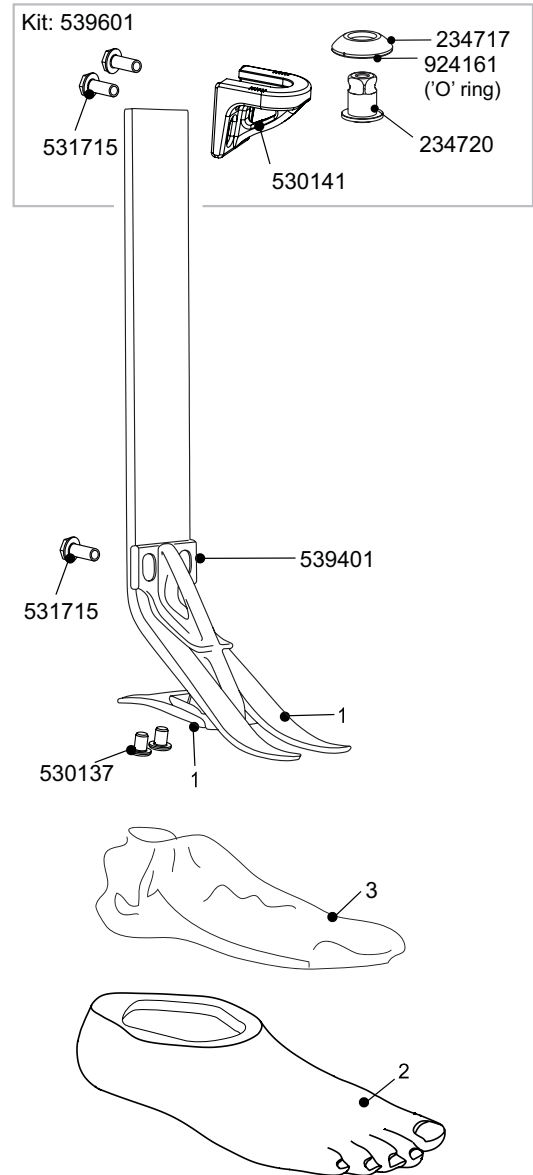
Sizes 22 to 26	531011
Sizes 27 to 30	532811

Fitting clamp - 941255 fitting clamp for alignment and set-up. Use also as cutting and drilling guide.  
Available separately.

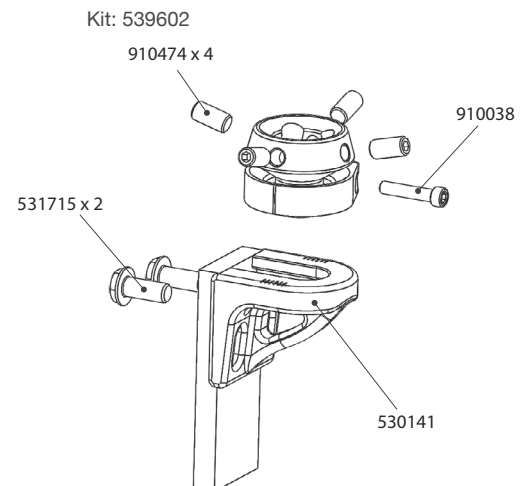
## Tools:

Cutting/Drill & Jig Standard	941255
Instructions For Use	938306S

## Male



## Female



Build part numbers are for assembly guidance only and may not be for sale separately.



Lightweight blade, ideal for moderate impact sports and activities.

## Features

- Small sizes available
- e-carbon foot with independent springs
- Dynamic pylon enhances shock absorption
- Easy to finish cosmetically
- Sandal Toe Footshell

Foot shell and glide sock included.

## Specifications

<b>Max. User Weight:</b>	166kg
<b>Activity Level:</b>	(2), 3, (4*)
<b>Size Range:</b>	22cm-30cm
<b>Component Weight:</b>	444g <sup>†</sup>
<b>Build Height:</b>	200mm - 365mm (min - max)
<b>Heel Height:</b>	10mm






## Order Example

Product Code	Size	Side	Width*	Spring Set	Sandal Toe	+ Top Housing
<b>JAV</b>	<b>25</b>	<b>L</b>	<b>N</b>	<b>3</b>	<b>S</b>	<b>Adapter</b>

\*Narrow (N) and Wide (W) available for sizes 25-27 only.  
For dark tone add suffix D.  
Example: foot size 25, left, narrow, spring rating 3, sandal toe, adapter.

## Accessories

Foot Shell Cover	<b>539087</b>	
Top housing male	<b>539601</b>	
Top housing female	<b>539602</b>	

Activity Level 2 users who would benefit from this foot will require softer springs as appropriate for the individual. Refer to Instructions for Use for further information.

Spring set recommendations are for trans-tibial users. For trans-femoral we suggest selecting a spring set one level lower.

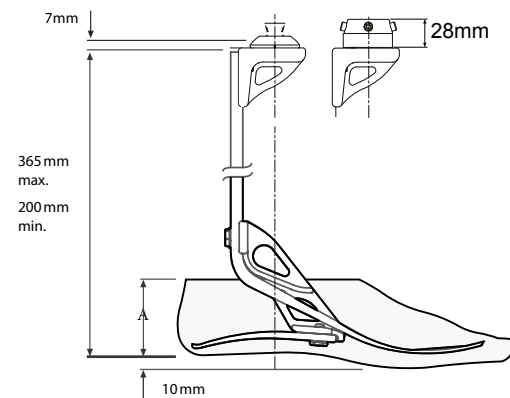
Activity	User Weight									Spring set
	44-52 100-115	53-59 116-130	60-68 131-150	69-77 151-170	78-88 171-195	89-100 196-220	101-116 221-255	117-130 256-285	131-147 286-325	
3	1	1	2	3	4	5	6	7	8	9

\*Maximum user weight 100 kg and always use one higher spring rate category than shown in Spring selection table.  
<sup>†</sup>Component weight shown is for a size 26cm without foot shell.

# Javelin



## Build Height



Size	A
22-26	65mm
27-28	70mm
29-30	75mm





# Avalon<sup>K2</sup> Schematics

1. Glide Sock, Sizes 22-30

405815

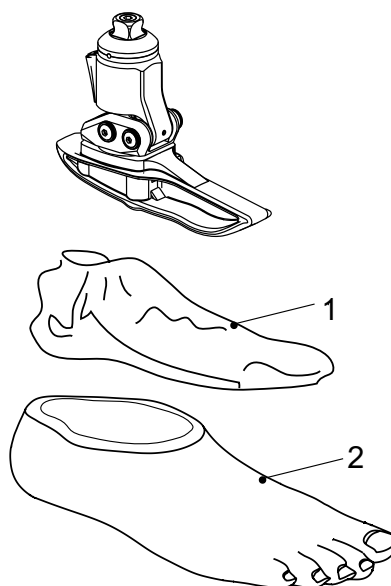
2. Foot shell\*

Left	Part Number	Right	Part Number
22L	539020	22R	539021
23L	539022	23R	539023
24L	539024	24R	539025
25L	539026	25R	539027
26L	539028	26R	539029
27L	539030	27R	539031
28L	539032	28R	539033
29L	539034	29R	539035
30L	539036	30R	539037

\*For dark tone add suffix D

Hex Key 2.5mm AF  
Instructions for use

940234  
938327



Build part numbers are for assembly guidance only and may not be for sale separately.



Hydraulic ankle/foot with ergonomic keel for better posture, stability and joint position.

# Avalon<sup>K2</sup>

## Features

- Ergonomic keel for ease of rollover
- Increased range of motion to enable greater sit-stand transfer safety
- Increased shock absorption, reduction in interface pressures
- Increased toe clearance in swing phase
- Plantar-flexion compliance when descending steps
- Sandal toe

Foot shell and glide sock included.



## Specifications

<b>Max. User Weight:</b>	150kg
<b>Activity Level:</b>	2
<b>Size Range:</b>	22-30cm
<b>Component Weight:</b>	520g <sup>†</sup>
<b>Build Height:</b>	115mm
<b>Heel Height:</b>	10mm
<b>Range of Ankle Motion:</b>	6° plantar to 6° dorsi-flexion



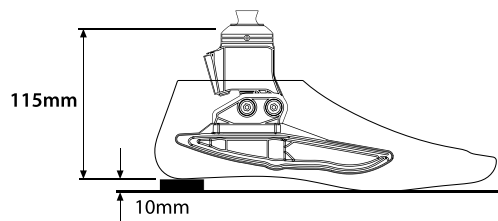
Suitable for submersion

## Order Example

Product Code	Size	Side
AV	25	L

For dark tone add suffix D.  
Foot example: Avalon<sup>K2</sup> size 25 left.

## Build Height



## Accessories

Alignment Wedge

940093



<sup>†</sup>Component weight shown is for a size 26cm without foot shell.





# Navigator Schematics

## 1 Snubber Kits

60° (white)	405605
70° (orange)	405606
80° (blue)	405607

## 2 Keel

Small	405619
Medium	405719
Large	405819
Extra Large	405919

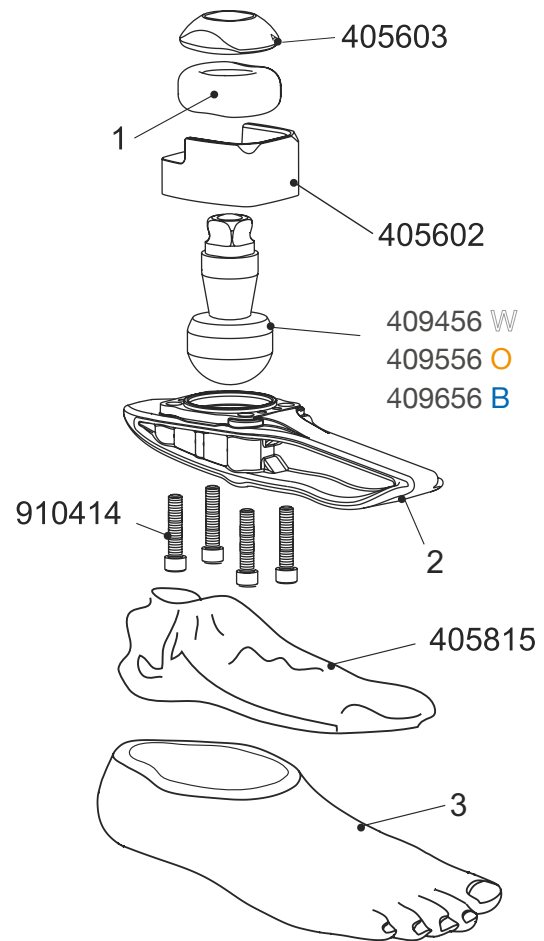
## 3 Foot shell\*

Left	Part Number	Right	Part Number
22L	539020	22R	539021
23L	539022	23R	539023
24L	539024	24R	539025
25L	539026	25R	539027
26L	539028	26R	539029
27L	539030	27R	539031
28L	539032	28R	539033
29L	539034	29R	539035
30L	539036	30R	539037

\*For dark tone add suffix D

Cone tool (for assembly)  
Instructions for use

940083  
938247



Multi-axial foot with flexible keel for comfort and stability.

# Navigator

## Features

- Multi-axial flexible keel
- Short keel optimized for K2 gait and transfer
- Integrated ankle joint
- Choice of ankle stiffness
- Sandal toe

Foot shell and glide sock included.

## Specifications

<b>Max. User Weight:</b>	125kg
<b>Activity Level:</b>	1-3
<b>Size Range:</b>	22cm-30cm
<b>Component Weight:</b>	350g <sup>†</sup>
<b>Build Height:</b>	95mm
<b>Heel Height:</b>	10mm



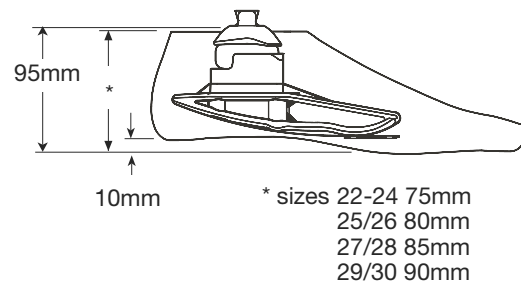
Suitable for outdoor use

## Order Example

Product Code	Size	Side	Ball	Snubber
<b>NAV</b>	<b>25</b>	<b>L</b>	<b>W</b>	<b>O</b>

For dark tone add suffix D. Foot example: Navigator, size 25 left, ball rating white, snubber rating orange.

## Build Height



### Ball and Snubber

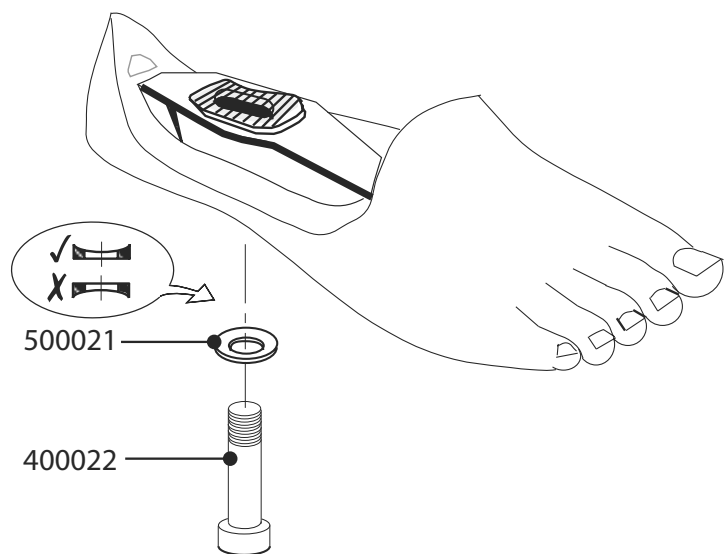
W=white, soft  
O=orange, medium  
B=blue, hard

Activity	User Weight							kg
	44-52	53-59	60-68	69-77	78-88	89-100	101-125	
1	WW	WW	WW	WO	OO	OB	BB	Ball and snubber
2	WW	WW	WO	OO	OB	BB	BB	
3	WW	WO	OO	OB	BB	BB	BB	



<sup>†</sup>Component weight shown is for a size 26cm without foot shell.

# Multiflex Standard Schematics



Instructions for use

938016



The Multiflex foot and ankle provides the level 1-2 user with multi-axial motion for comfort and stability.

# Multiflex Standard

## Features

- Multi-axial function
- Low profile
- Sandal toe

## Specifications

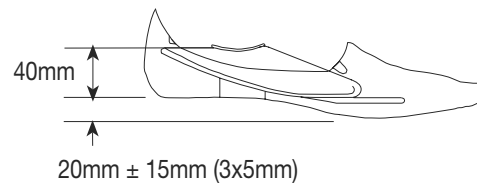
<b>Max. User Weight:</b>	125kg
<b>Activity Level:</b>	1-2
<b>Size Range:</b>	22cm-30cm
<b>Component Weight:</b>	375g <sup>†</sup>
<b>Build Height:</b>	40mm
<b>Heel Height:</b>	20 ± 15mm



## Part Numbers

Size	Left	Right
22cm	<b>519119</b>	<b>519120</b>
23cm	<b>519121</b>	<b>519122</b>
24cm	<b>519123</b>	<b>519124</b>
25cm	<b>519125</b>	<b>519126</b>
26cm	<b>519127</b>	<b>519128</b>
27cm	<b>519129</b>	<b>519130</b>
28cm	<b>519131</b>	<b>519132</b>
29cm	<b>519133</b>	<b>519134</b>
30cm	<b>519135</b>	<b>519136</b>

## Build Height



### Multiflex Ankle Standard 30mm

	Ankle Kits:	30mm <b>379342</b> (W) <b>379343</b> (O) <b>379344</b> (B)
	Snubber Kits:	<b>409007</b> (W) <b>409008</b> (O) <b>409009</b> (B)

### Multiflex Ankle Pyramid

	Ankle Kits:	<b>409353</b> (W) <b>409354</b> (O) <b>409355</b> (B)
	Snubber Kits:	<b>409007</b> (W) <b>409008</b> (O) <b>409009</b> (B)

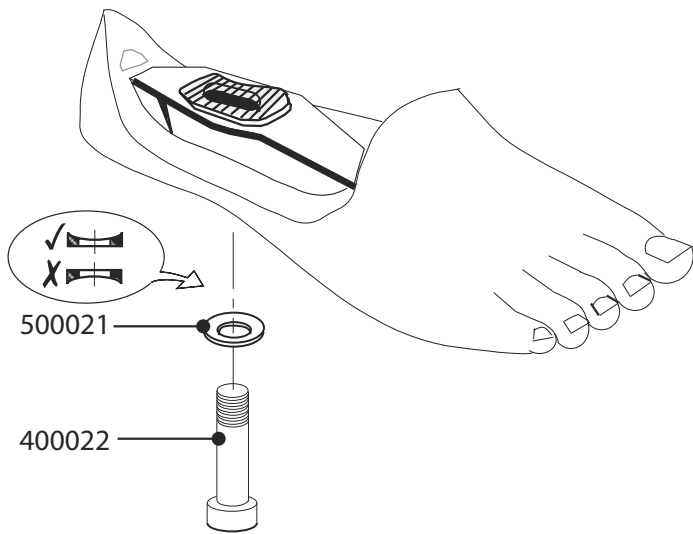
Multiflex ankle and snubber selection.

Activity	User Weight							kg lbs	Ball and snubber
	44-52 100-115	53-59 116-130	60-68 131-150	69-77 151-170	78-88 171-195	89-100 196-220	101-125 221-275		
1-2	WW	WW	WW	WO	OO	OB	BB		



<sup>†</sup>Component weight shown is for a size 26cm.

# Multiflex Slim Schematics



Instructions for use

938016

Build part numbers are for assembly guidance only and may not be for sale separately.

The Multiflex foot and ankle in a slimmer width.  
Additional heel height capacity allows for a higher heel.

# Multiflex Slim

## Features

- Multi-axial function
- Low profile
- Sandal toe

## Specifications

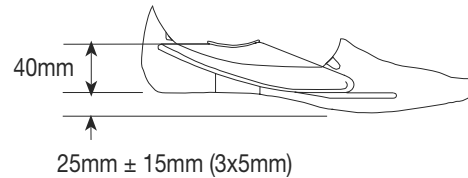
<b>Max. User Weight:</b>	125kg
<b>Activity Level:</b>	1-2
<b>Size Range:</b>	22cm-25cm
<b>Component Weight:</b>	375g <sup>†</sup>
<b>Build Height:</b>	40mm
<b>Heel Height:</b>	25 ± 15mm



## Part Numbers

Size	Left	Right
22cm	<b>519141</b>	<b>519142</b>
23cm	<b>519143</b>	<b>519144</b>
24cm	<b>519145</b>	<b>519146</b>
25cm	<b>519147</b>	<b>519148</b>

## Build Height



### Multiflex Ankle Standard 30mm

	Ankle Kits:	30mm <b>379342</b> (W) <b>379343</b> (O) <b>379344</b> (B)
	Snubber Kits:	<b>409007</b> (W) <b>409008</b> (O) <b>409009</b> (B)

### Multiflex Ankle Pyramid

	Ankle Kits:	<b>409353</b> (W) <b>409354</b> (O) <b>409355</b> (B)
	Snubber Kits:	<b>409007</b> (W) <b>409008</b> (O) <b>409009</b> (B)

Multiflex ankle and snubber selection.

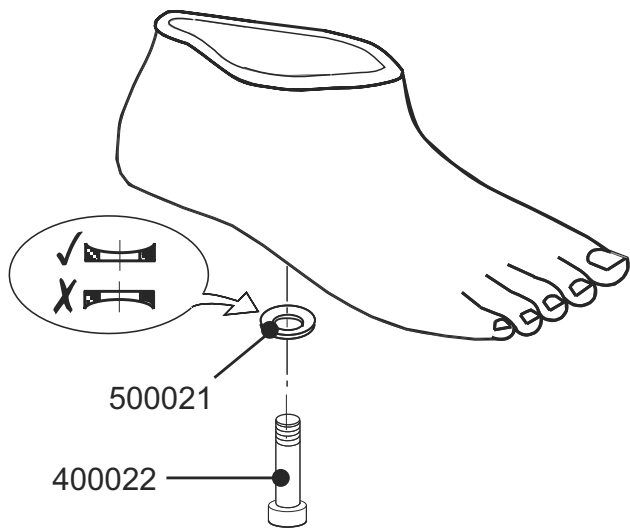
Activity	User Weight							kg lbs	Ball and snubber
	44-52 100-115	53-59 116-130	60-68 131-150	69-77 151-170	78-88 171-195	89-100 196-220	101-125 221-275		
1-2	WW	WW	WW	WO	OO	OB	BB		

<sup>†</sup>Component weight shown is for a size 26cm.





# Multiflex Special Edition Schematics



Instructions for use

938211

Build part numbers are for assembly guidance only and may not be for sale separately.

The Multiflex foot and ankle system within a standard profile Foot shell.

# Multiflex Special Edition

## Features

- Multi-axial function
- Ankle level Foot shell
- Sandal toe

## Specifications

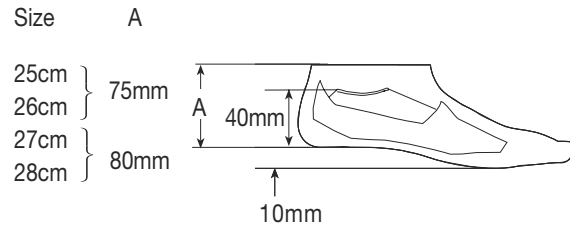
<b>Max. User Weight:</b>	125kg
<b>Activity Level:</b>	1-2
<b>Size Range:</b>	25cm-28cm
<b>Component Weight:</b>	425g <sup>†</sup>
<b>Build Height:</b>	40mm
<b>Heel Height:</b>	10 ± 15mm



## Part Numbers

Size	Left	Right
25cm	<b>519525</b>	<b>519526</b>
26cm	<b>519527</b>	<b>519528</b>
27cm	<b>519529</b>	<b>519530</b>
28cm	<b>519531</b>	<b>519532</b>

## Build Height



### Multiflex Ankle Standard 30mm

	Ankle Kits:	30mm <b>379342 (W)</b> <b>379343 (O)</b> <b>379344 (B)</b>
	Snubber Kits:	<b>409007 (W)</b> <b>409008 (O)</b> <b>409009 (B)</b>

### Multiflex Ankle Pyramid

	Ankle Kits:	<b>409353 (W)</b> <b>409354 (O)</b> <b>409355 (B)</b>
	Snubber Kits:	<b>409007 (W)</b> <b>409008 (O)</b> <b>409009 (B)</b>

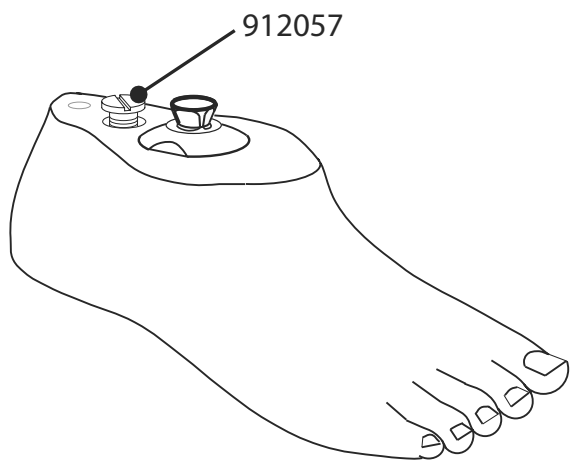
Multiflex ankle and snubber selection.

Activity	User Weight							kg lbs	Ball and snubber
	44-52 100-115	53-59 116-130	60-68 131-150	69-77 151-170	78-88 171-195	89-100 196-220	101-125 221-275		
1-2	WW	WW	WW	WO	OO	OB	BB		



<sup>†</sup>Component weight shown is for a size 26cm.

# SuperSACH Schematics



Instructions for use

938086



A cushioned foot with flexible keel and adjustable heel cushion for level 1-2 users.

# SuperSACH

## Features

- Adjustable heel cushion
- Sandal toe
- Integrated pyramid

## Specifications

<b>Max. User Weight:</b>	125kg
<b>Activity Level:</b>	1-2
<b>Size Range:</b>	22cm-28cm
<b>Component Weight:</b>	449g <sup>†</sup>
<b>Build Height:</b>	70mm size 22-24 75mm size 25-26 80mm size 27-28
<b>Heel Height:</b>	19mm



Suitable for submersion

## Part Numbers

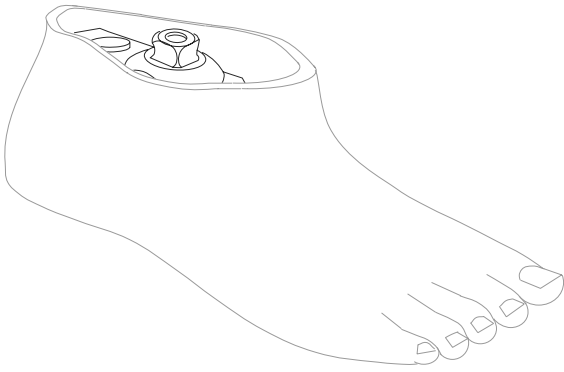
Size	Left	Right
22cm	P529101	P529102
23cm	P529103	P529104
24cm	P529105	P529106
25cm	P529107	P529108
26cm	P529109	P529110
27cm	P529111	P529112
28cm	P529113	P529114

## Build Height

Size	A
22cm	70mm
23cm	
24cm	
25cm	75mm
26cm	
27cm	80mm
28cm	

<sup>†</sup>Component weight shown is for a size 26cm.

# Senior Schematics



## 1 Foot Shell\*

Left	Part Number	Right	Part Number
22L	529701	22R	529702
23L	529703	23R	529704
24L	529705	24R	529706
25L	529707	25R	529708
26L	529709	26R	529710
27L	529711	27R	529712
28L	529713	28R	529714

\*For dark tone add suffix D

Instructions for use

938163

Ultra lightweight foot with heel cushioning for level 1-2 users.

# Senior

## Features

- Replaceable foot shell
- Sandal toe
- Flexible keel
- Integrated pyramid

## Specifications

<b>Max. User Weight:</b>	125kg
<b>Activity Level:</b>	1-2
<b>Size Range:</b>	22cm-28cm
<b>Component Weight:</b>	395g <sup>†</sup>
<b>Build Height:</b>	70mm size 22-24 75mm size 25-26 80mm size 27-28
<b>Heel Height:</b>	19mm

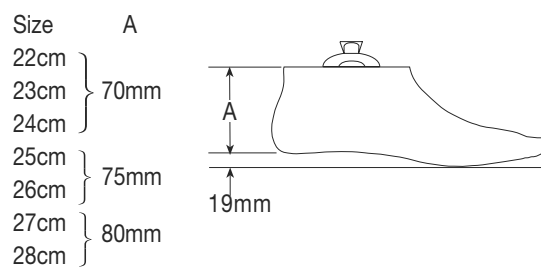


## Order Example

Product Code	Size	Side
<b>SNR</b>	<b>25</b>	<b>L</b>

For dark tone add suffix D.  
Foot example: Senior, size 25 left.

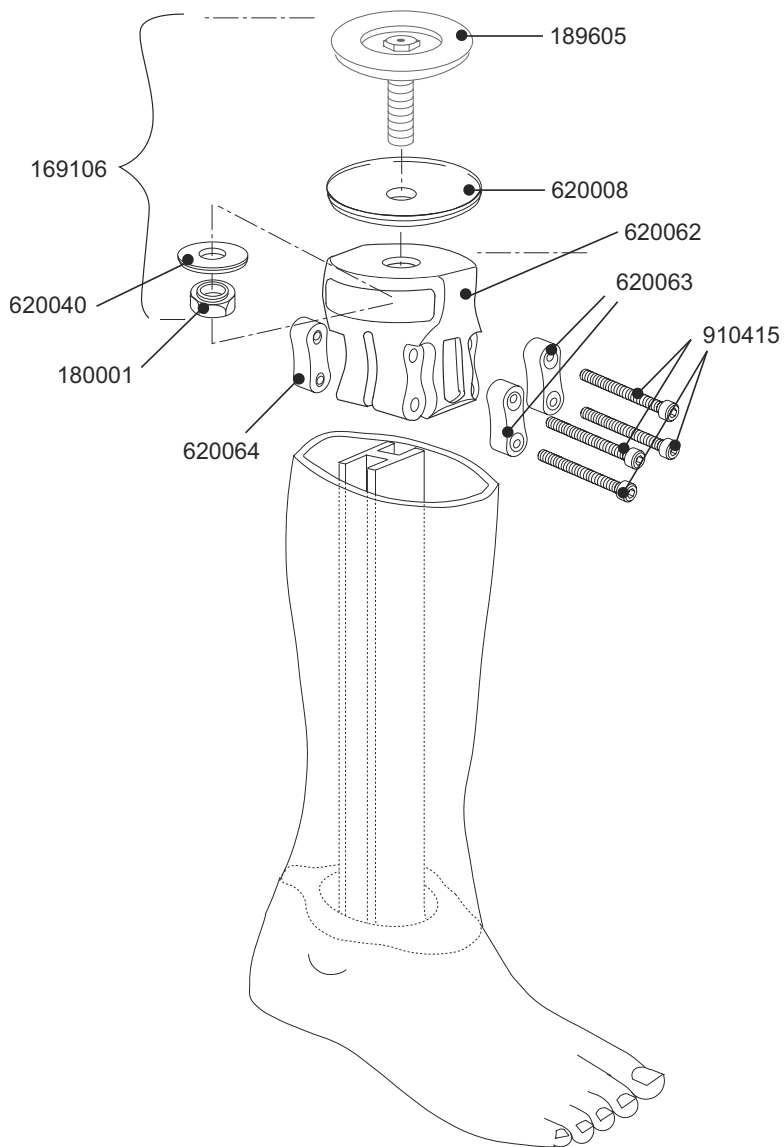
## Build Height



<sup>†</sup>Component weight shown is for a size 26cm.



# Aqualimb TT Schematics



Instructions for use

938255

Build part numbers are for assembly guidance only and may not be for sale separately.

A waterproof prosthesis with integral shin and cosmesis.  
For use in the shower and wet environments.

# Aqualimb TT

## Features

- Integral shin and cosmesis
- Rapid assembly
- Full alignment device included
- Anti-slip tread pattern on sole

## Specifications

<b>Max. User Weight:</b>	100kg
<b>Activity Level:</b>	1-2
<b>Size Range:</b>	22cm-27cm
<b>Component Weight:</b>	1.39kg <sup>†</sup>
<b>Build Height:</b>	280 to 415mm
<b>Heel Height:</b>	5mm

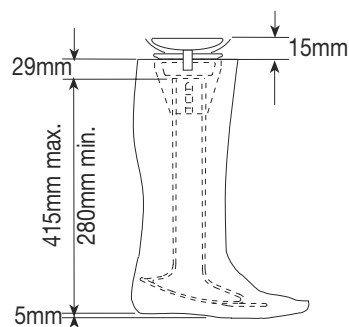


Suitable for submersion

## Part Numbers

Size	Left	Right
22cm	629705L	629706L
23cm	629707L	629708L
24cm	629709L	629710L
25cm	629711L	629712L
26cm	629713L	629714L
27cm	629715L	629716L

## Build Height

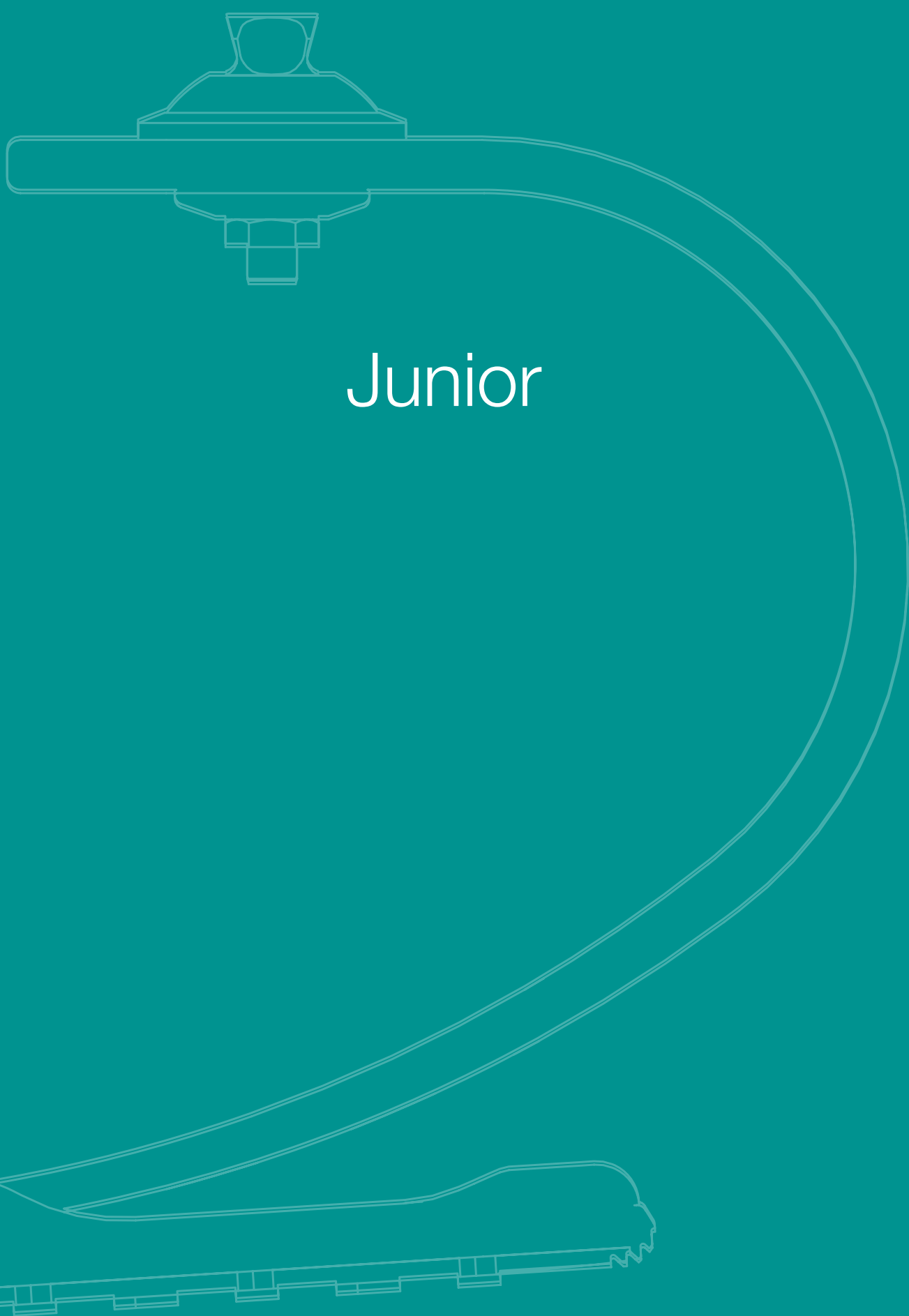


<sup>†</sup>Component weight shown is for a size 26cm.





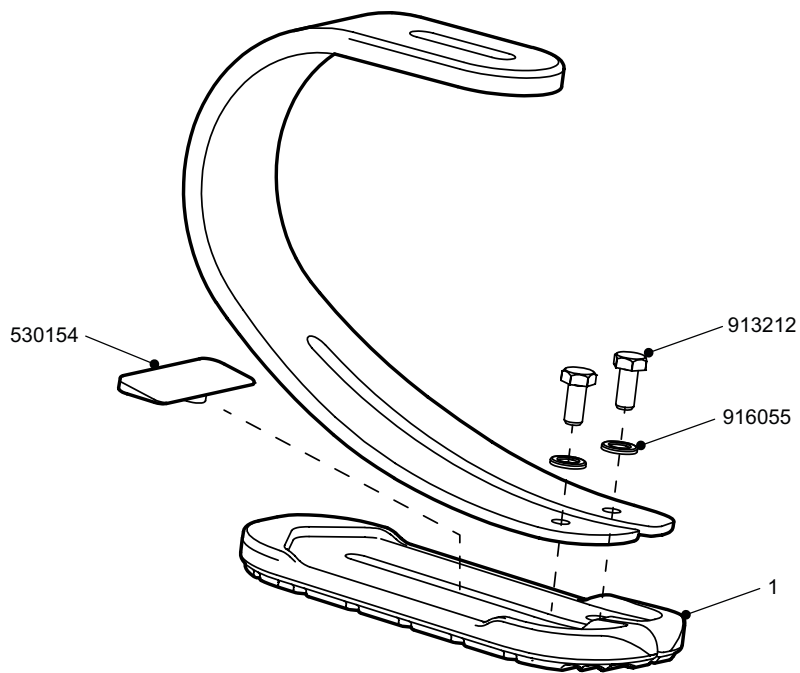
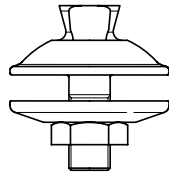




Junior

# Mini BladeXT Schematics

Male Mini Pyramid  
189627



1 MBXT Heel Spring Kits — include the overmoulded cover, screws, washers and heel wedge.

Spring Category	Heel Type	Part No.
1	Soft Sports	539084SS
2	Medium Sports	539084MS
3	Firm Sports	539084FS

Adapters	Part No.
Male Mini Pyramid (supplied with foot)	189627
Female Mini Pyramid 25mm Tube Clamp Adapter	189526
Female Mini Pyramid 30mm Tube Clamp Adapter	189727
Instructions For Use	938371



Build part numbers are for assembly guidance only and may not be for sale separately.

A versatile paediatric blade suitable for a range of activities.

# Mini BladeXT

## Features

- Twin toe and heel springs
- Split toe design
- Traction sole
- Heel stiffness wedge
- Waterproof
- Field replaceable heel spring kit
- Male mini pyramid with 30mm shift and rotation

## Specifications

User Weight:	20-60kg
Amputation Level:	All
Activity Level:	3-4
Spring Range:	1-3
Component Weight:	450g (including male mini pyramid)
Build Height:	168mm
Colour Options:	Dazzling Pink (P) or Electric Blue (B)



## Order Example

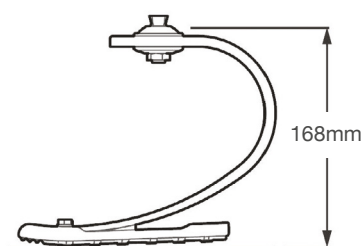
Product Code	Colour	Spring Set	
MBXTA	B	3	SM

Foot example: Mini BladeXT, Colour Blue, Spring Set 3.

Product Code	Colour	Spring Set	
MBXTA	P	1	SM

Foot example: Mini BladeXT, Colour Pink, Spring Set 1.

## Build Height



Activity	User Weight			Toe and Heel Spring Set
	20-35 44-77	36-50 78-110	51-60 111-132	
3-4	1 Soft	2 Medium	3 Firm	

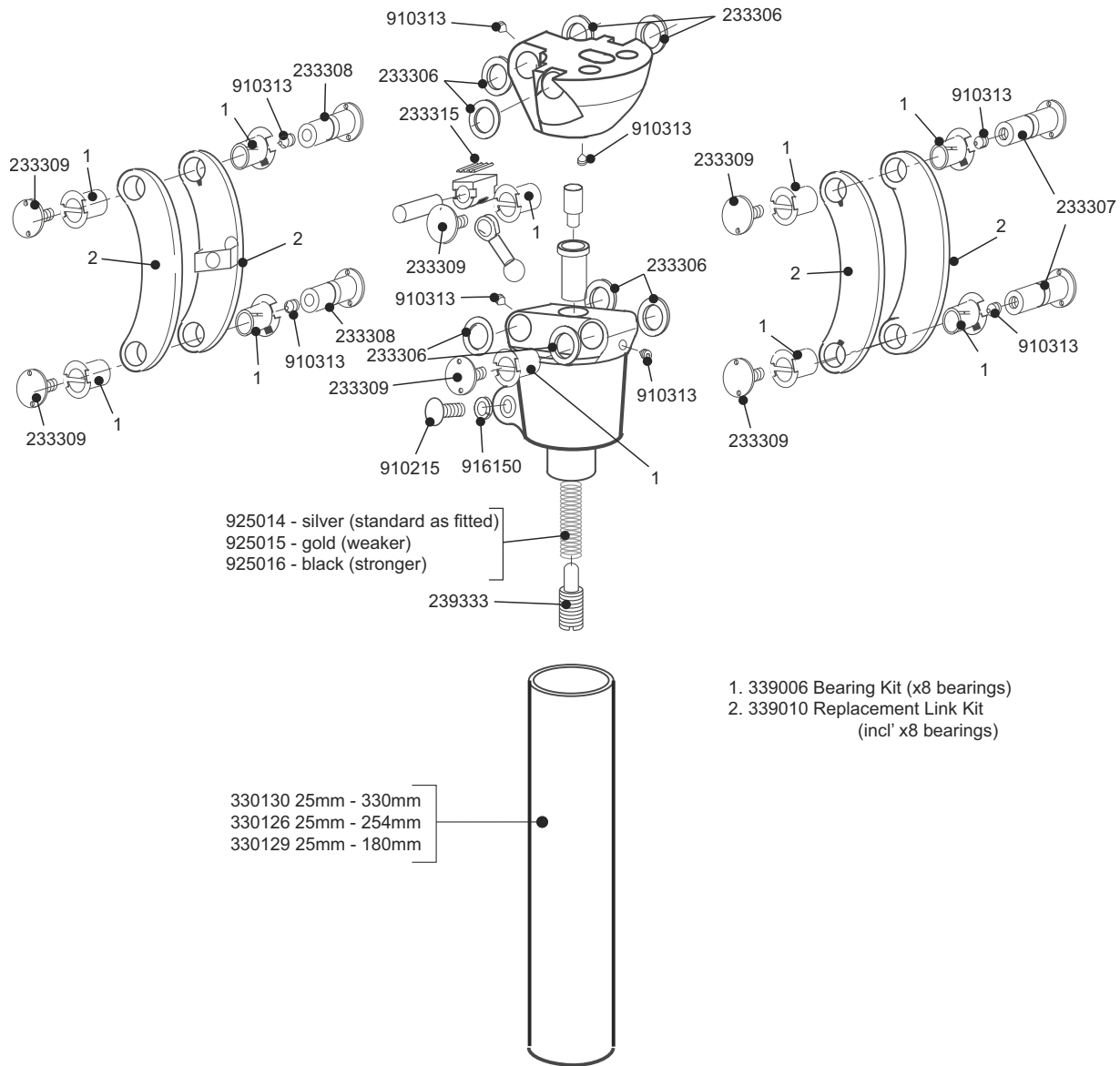




# Child's 4-bar Knee Schematics

TT system

019245



Instructions for use

Knee 938017

Knee with tube 938103

A durable and lightweight polycentric knee designed for active children.

# Child's 4-bar Knee

## Features

- Polycentric knee for stance stability
- Adjustable extension assist spring
- Wide range of alignment
- Low build height

## Specifications

Max. User Weight:	60kg
Activity Level:	1-4
Component Weight:	335g
Build Height:	105mm



Suitable for outdoor use

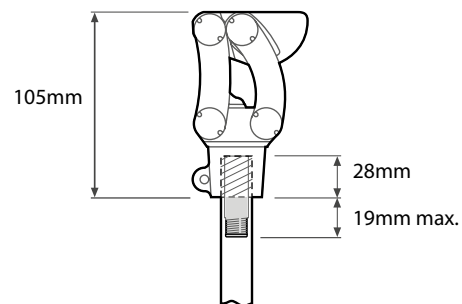
## Part Number

Child's 4-bar Knee with 330mm tube	<b>019245</b>
Child's 4-bar Knee without tube	<b>239133</b>

## Adapters

Child's TF Alignment Kit	<b>189226</b>	
Lamination Socket Alignment Kit	<b>189126</b>	
M30 Laminate Adapter 4 Prong Kit	<b>189626</b>	
M30 Childs Adapter Kit	<b>189726</b>	
Female Mini Pyramid Pylon Kit 25mm	<b>409099</b>	

## Fitting Length



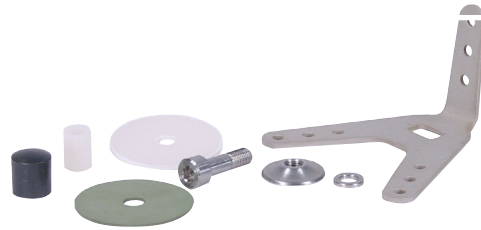
# Junior

Number	Description	Part Number	Build height	Weight	Max. User Weight. /Activity Level
1	Child's TT system with 25mm shin tube	019145	85-279mm (+16)	225g	60kg/1-4
2	Child's socket attachment plate for lamination	189126	10mm	125g	60kg/1-4
3	Child's TF alignment kit- endolite full alignment	189226	20mm	64g	60kg/1-4
4	Child's ankle disarticulation kit	189326	45mm	45g	60kg/1-4
5	Ankle clamp for Child's Play foot size 13-15cm	409021	48mm (20+28mm)	69g	60kg/1-4
	Ankle clamp for Child's Play foot size 16-18cm	409022	48mm (20+28mm)	69g	60kg/1-4
	Ankle clamp for Child's Play foot size 19-21cm	409023	48mm (20+28mm)	69g	60kg/1-4
6	Pylon adapter for Child's Play - low profile size 13-15cm	409043	64-102mm (tt inc. upper housing) 115-152mm (TF inc. knee)	70g	60kg/1-4
	Pylon adapter for Child's Play - low profile size 16-18cm	409044	64-102mm (tt inc. upper housing) 115-152mm (TF inc. knee)	70g	60kg/1-4
	Pylon adapter for Child's Play - low profile size 19-21cm	409045	64-102mm (tt inc. upper housing) 115-152mm (TF inc. knee)	70g	60kg/1-4
7	Child's SACH foot adapter 25mm	409026	49mm (21+28mm)	110g	60kg/1-4
8	Pylon adapter for SACH foot- low profile	409046	64-102mm (Tt inc. upper housing) 115-152mm (TF inc. knee)	75g	60kg/1-4
9	TT upper housing - Endolite full alignment)	189426	41mm (25+16mm)	165g	60kg/1-4
10	M30 Child's Adaptor for 4 Bar Knee	189726	12mm	55g	60kg/1-4
11	M30 4 Prong Laminate Adapter	189626	10mm	100g	60kg/1-4
12	Female Mini Pyramid Pylon	409099	TT-50mm to 80mm TF-60mm to 80mm	96g	60kg/1-4
13	Female Mini Pyramid 25mm Tube Clamp Adapter	189526	12mm	75g	60kg/1-4
14	Female Mini Pyramid 30mm Tube Clamp Adapter	189727	12mm	75g	60kg/1-4
15	25mm Carbon Fibre Pylon	330129	180mm	56g	60kg/1-4
16	25mm Carbon Fibre Pylon	330126	253mm	81g	60kg/1-4
17	25mm Carbon Fibre Pylon	330130	330mm	109g	60kg/1-4





1



2



3



4



5



6



7



8



9



10



11



12



13



14

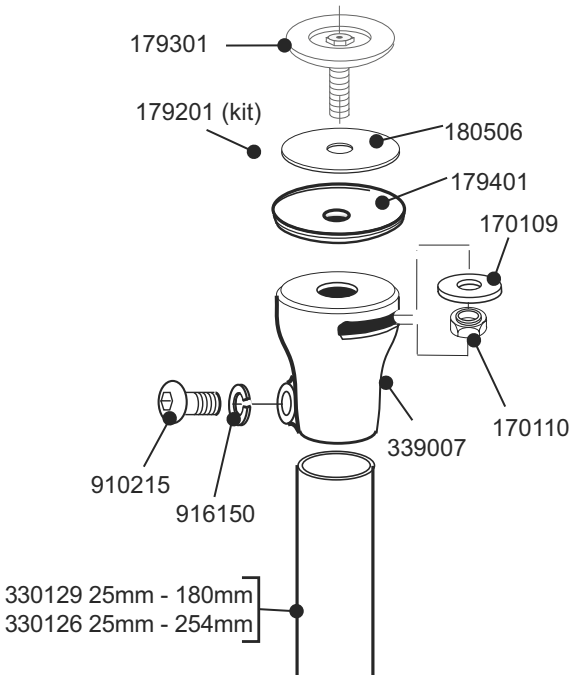


15, 16, 17

Please note that products are not shown to relative scale.

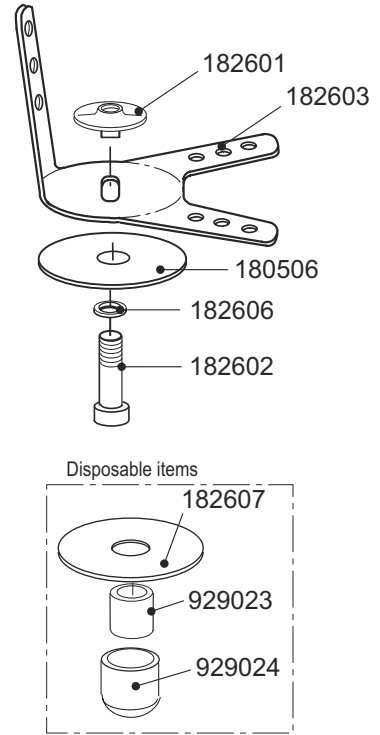
# Junior Schematics

TT system 019145



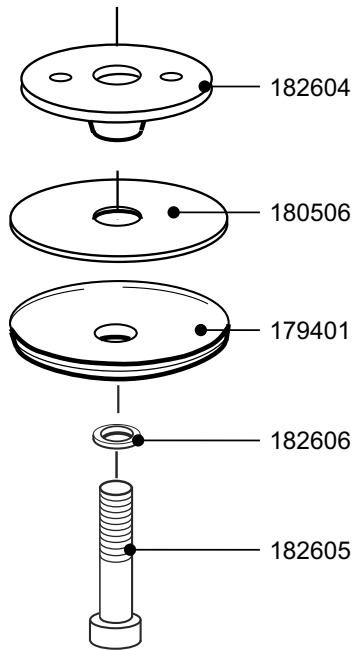
Instructions for use 938115

Tf alignment kit 189126



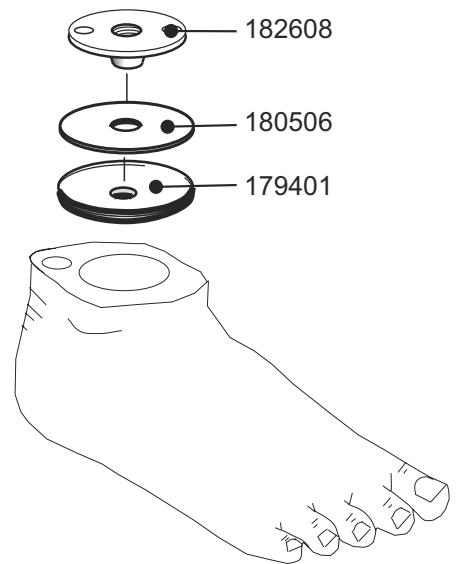
Instructions for use 938112

Alignment kit 189226



Instructions for use 938109

Ankle disarticulation kit 189326



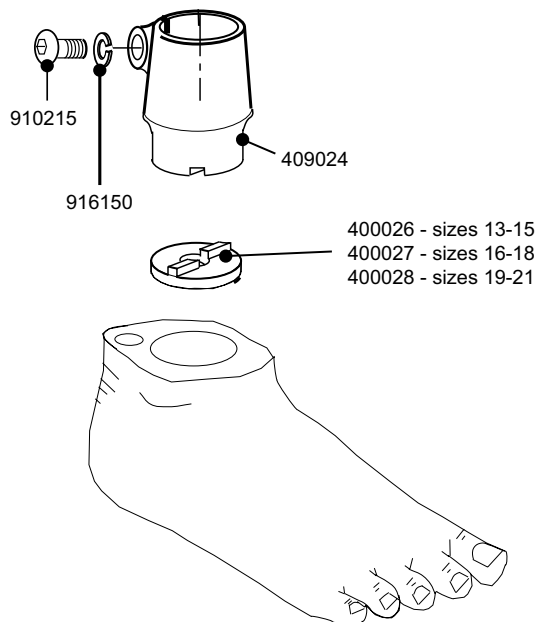
Instructions for use 938111

Build part numbers are for assembly guidance only and may not be for sale separately.

# Junior Schematics

## Ankle adapter kit

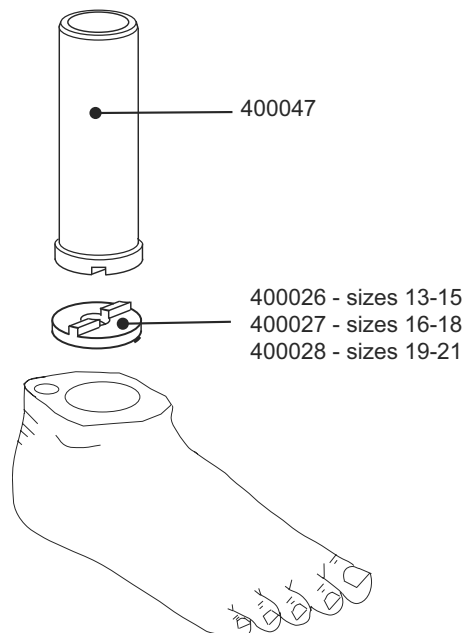
- (size 13-15) 409021
- (size 16-18) 409022
- (size 19-21) 409023



Instructions for use 938106

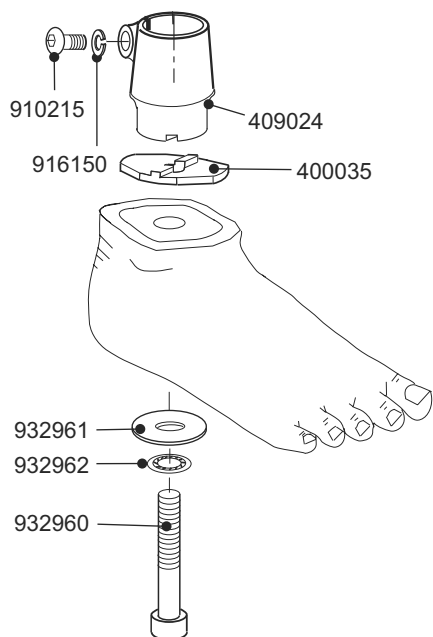
## Long stump adapter

- (size 13-15) 409043
- (size 16-18) 409044
- (size 19-21) 409045



Instructions for use 938108

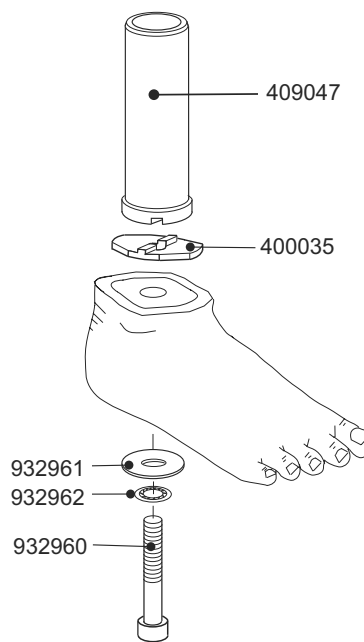
## SACH adapter 409026



Instructions for use 938105

Note: it is important the correct foot plate is installed to provide sufficient bearing area on the Child's Play keel.

## Long stump adapter 409046



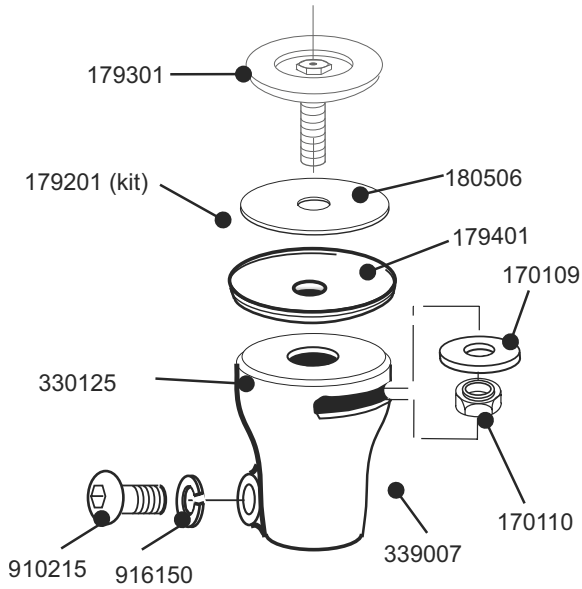
Instructions for use 938107





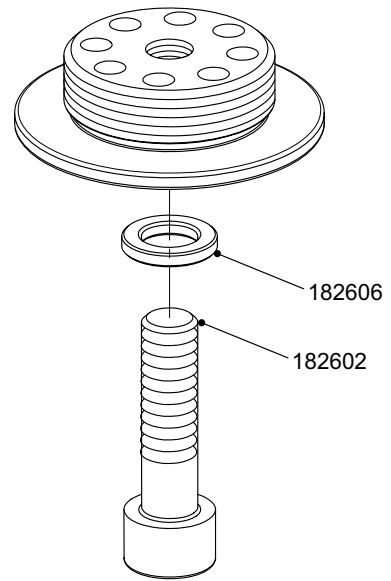


Upper housing 189426



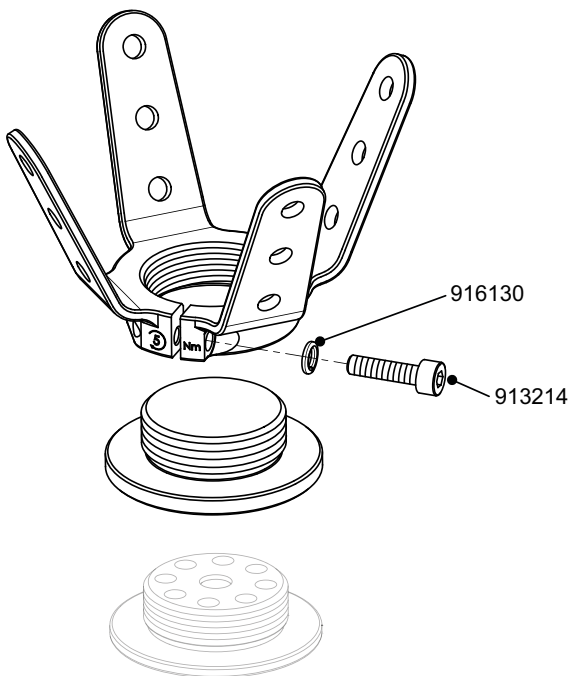
Instructions for use 938104

M30 Child's Adapter 189726



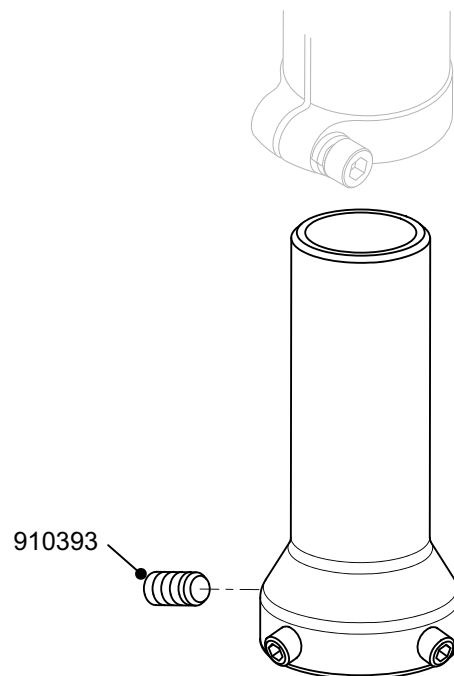
Instructions for use 938396

M30 4 Prong Laminate Adapter 189626



Instructions for use 938395

Female Mini Pyramid Pylon 25mm 409099



Instructions for use 938394







A white line drawing on a grey background showing the base and control arm of a microscope. The base is a large, circular, fluted structure. A vertical column rises from the center, supporting a control arm with a circular knob and a curved handle. The drawing is minimalist, using only outlines to define the mechanical parts.

# Controls

# Controls



## Endolite Hydraulic Cylinders

### New and Service Exchange Units

New	S/Ex*	Description	Trunnion Ø
932281	932283	Swing and Stance Cylinder for KX06	8mm
932282	932284	Swing Cylinder for KX06	8mm
932285	932286	Swing and Stance cylinder for Mercury Knee	10mm
932287	932288	Swing Cylinder for Mercury Knee	10mm



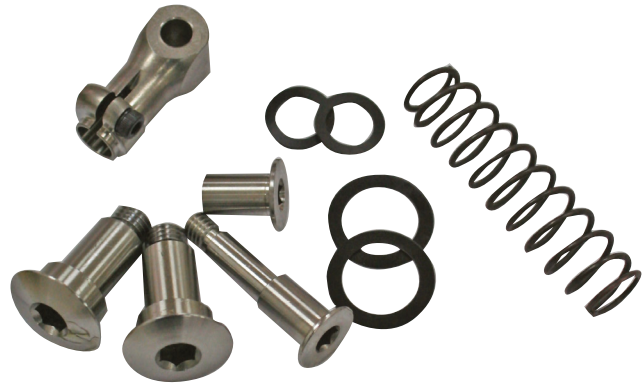
## Endolite Microprocessor Control Cylinders

### New and Service Exchange Units

New	S/Ex*	Description	Trunnion Ø
239629	259902	Swing Cylinder for SmartIP	6mm



\*Supplied for in-warranty cylinders only. Cylinder serial number will be required.



Kit: 019758

Control fitting kits for KX06 and Mercury modules (image not shown)

Fitting kit for KX06                   **239254**

Description	Number
Pin Chassis Posterior	235420
Sleeve Chassis Posterior 2 off	235412
Distal Pivot 2 off	235417
Thrust Spacer 2 off	235419
M6x8 Screw 2 off	913205
M6 x 35 Cap Screw	910051

Fitting Kit for Mercury Knee   **239031**

Description	Number
Pivot Pin Upper	234705
Thrust Washer x2off	234716
Lower Pivot x2off	234806
Thrust Washer (0.6) x2off	235206
Thrust Washer (0.5) x2off	235207

Control fitting kits for ESK+ and ESK/MKL shin modules

Fitting Kit for Smart IP           **019668**

Description	Number
Nut	230078
Bolt	230079
Thrust washer, 2 off	230080
Lower pivot, 2 off	230088
Thrust washer, 2 off	230090

Fitting Kit for PSPC               **019758**

Description	Number
Nut	230078
Bolt	230079
Thrust washer, 2 off	230080
Lower pivot, 2 off	230088
Thrust washer, 2 off	230090
Assistor spring	230313
Trunnion	239009









# Adapters

Number	Description	Part Number	Build height	Material	Weight	Max. User wt. /Activity
Level						
1	TT lamination anchor	<b>P189410S</b>	17mm (35mm)	St. Steel	85g	125kg / 1-3 100kg / 1-4
2	TT lamination anchor	<b>P189410</b>	17mm (35mm)	Aluminium	75g	125kg / 1-3 100kg / 1-4
3	Pyramid 4-bolt	<b>P189310</b>	8mm (15mm)	St. Steel	68g	150kg / 1-3 145kg / 1-4
4	KX06 adapter kit	<b>169307</b>	3mm (13mm)	Aluminium/ St. Steel	65g	150kg / 1-3 145kg / 1-4
5	Pyramid male - sliding/rotating	<b>EP-MSR</b>	14mm (27mm)	Titanium	140g	} 150kg / 1-3 145kg / 1-4
	Pyramid male - sliding	<b>EP-MS</b>	14mm (27mm)	Titanium	140g	
6	Pyramid female - sliding /rotating	<b>EP-FSR</b>	33mm (33mm)	Titanium	150g	} 150kg / 1-3 145kg / 1-4
	Pyramid female - sliding	<b>EP-FS</b>	28mm (28mm)	Titanium	150g	
7	Pyramid male 4-bolt - sliding & rotating	<b>169407</b>	15mm	Aluminium/ Titanium	125g	150kg / 1-3 145kg / 1-4
8	Pyramid male - sliding & rotating	<b>239017</b>	7mm (22mm)	Alum/Titanium	50g	166kg / 4
	Non-rotating male pyramid adapter	<b>239089</b>	7mm (22mm)	Alum/Titanium	50g	166kg / 4
9	Pyramid male - Endolite dome	<b>P189610</b>	23mm	Aluminium/ St. Steel	155g	125kg / 1-3 100kg / 1-4
10	Pyramid female - Endolite dome	<b>P409049 (large)</b>	45mm	Aluminium/ St. Steel	209g	150kg / 1-3 145kg / 1-4
		<b>P409050 (small)</b>	45mm			
11	Pyramid male - Endolite knee chassis	<b>189127</b>	5mm (25mm)	Aluminium/ St. Steel	103g	125kg / 1-3 100kg / 1-4
		<b>189227</b>	10mm	Alu/ St. Steel	103g	
		<b>189327</b>	15mm	Alu/ St. Steel	103g	
12	Pyramid female long - Endolite knee chassis	<b>409042</b>	25mm (40mm)	Aluminium/ Titanium	130g	125kg / 1-3 100kg / 1-4
13	Pyramid female short - Endolite knee chassis	<b>409041</b>	10mm (25mm)	Aluminium/ Titanium	110g	125kg / 1-3 100kg / 1-4
14	Full alignment kit TT - Endolite dome	<b>189906 (standard)</b>	20mm	Aluminium/ Titanium	122g	125kg / 1-3 100kg / 1-4
		<b>189907</b>	30mm	Alu/Titanium	79g	
		<b>189607</b>	40mm	Alu/Titanium	108g	
15	Full alignment kit TF - Endolite dome	<b>189806 (standard)</b>	20mm	Aluminium	183g	125kg / 1-3 100kg / 1-4
		<b>189805</b>	10mm	Aluminium	61g	
		<b>189807</b>	30mm	Aluminium	93g	
		<b>189808</b>	15mm	Aluminium	81g	
		<b>189809</b>	25mm	Aluminium	83g	
16	Full alignment kit TF - KX06	<b>169207</b>	20mm	Aluminium	185g	150kg / 1-3 145kg / 1-4
17	Full alignment kit TF - Short knee	<b>189125</b>	20mm	Aluminium	140g	125kg / 1-3 100kg / 1-4
18	Full alignment kit TF - 4-bolt ESK+ and Mercury	<b>239032</b>	20mm	Aluminium	170g	125kg / 1-3 100kg / 1-4
19	Turntable kit TF	<b>189123</b>	40mm	Aluminium	330g	125kg / 1-3 100kg / 1-4
20	Wood adapter TF - full alignment	<b>189113</b>	40mm (96mm)	Alu/ Wood	612g	125kg / 1-3 100kg / 1-4
		<b>189815</b>	10mm Lengthening	Aluminium		
		<b>189811</b>	10mm Shortening	Aluminium		
21	M36 Adapter	<b>239092</b>	14mm	Alum/St. Steel		125kg / 1-3 100kg / 1-4
22	Pyramid female - sliding & rotating	<b>189128</b>	28mm	Alum/Titanium	114g	166kg / 4



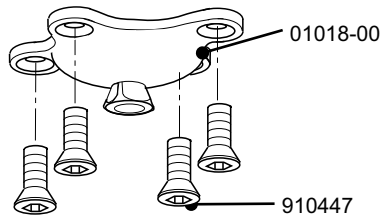


Description	Part Number	Build height	Material	Weight	Max. User wt. /Activity Level
Cup & Strut kit TF- full alignment					
10mm,100mm dia.cup	189117	25mm	Aluminium	466g	} 125kg / 1-3 100kg / 1-4
10mm Lengthening	189707	35mm	Aluminium	83g	
10mm Shortening	189906	15mm	Aluminium	121g	
10mm,115mm dia.cup	189118	25mm	Aluminium	528g	
10mm,130mm dia.cup	189119	25mm	Aluminium	556g	
Cup & Strut kit TF- Endolite dome					
100mm dia.cup	189217	20mm	Aluminium	354g	} 125kg / 1-3 100kg / 1-4
115mm dia.cup	189218	20mm	Aluminium	418g	
130mm dia.cup	189219	20mm	Aluminium	442g	
Thigh Release Mounting Kit	099028	N/A	N/A	N/A	

# Adapters Schematics

3. Pyramid 4-bolt

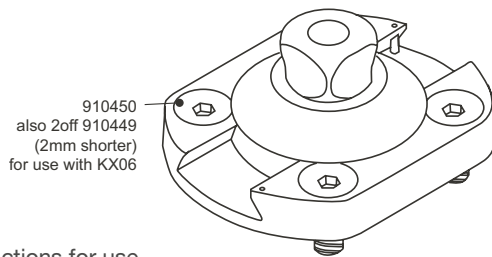
P189310



Instructions for use 938282

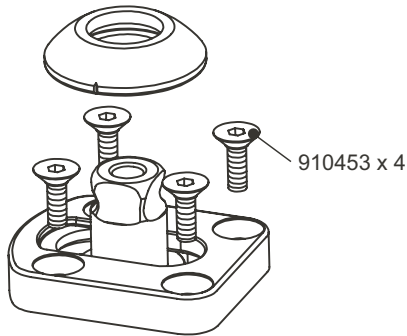
5. TF Pyramid Male Sliding/Rotating  
TF Pyramid Male Sliding

EP-MSR  
EP-MS



Instructions for use  
EP-MSR 938244  
EP-MS 938243

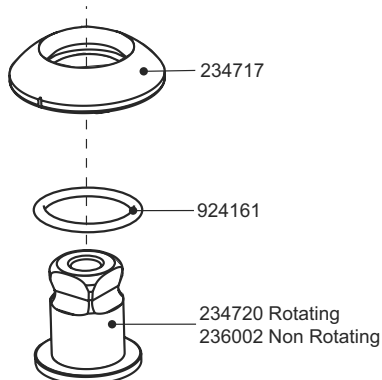
7. Pyramid male 4-bolt, sliding & rotating 169407



Instructions for use 938310

8. Pyramid Male Sliding Rotating  
Non Rotating

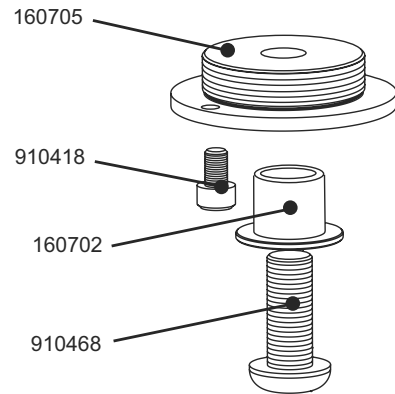
239017  
239089



Instructions for use 938179

4. KX06 M36 adapter kit

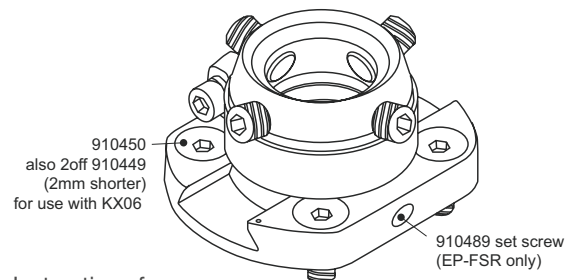
169307



Instructions for use 938281

6. TF Pyramid Female Sliding/Rotating  
TF Pyramid Female Sliding

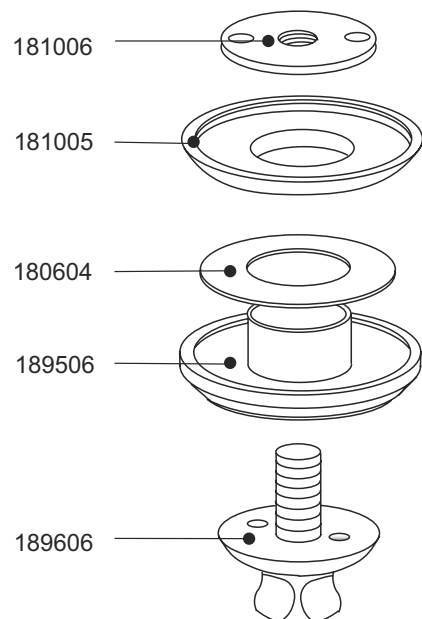
EP-FSR  
EP-FS



Instructions for use  
EP-FSR 938240  
EP-FS 938241

9. TT Pyramid Alignment

P189610

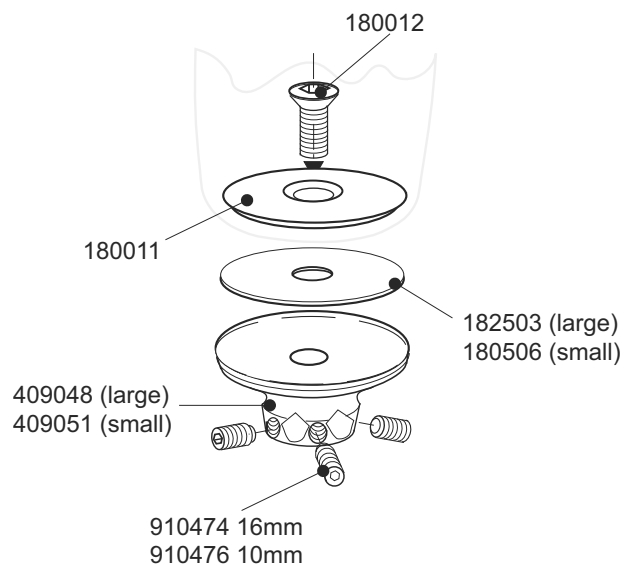


Instructions for use 938110

Build part numbers are for assembly guidance only and may not be for sale separately.

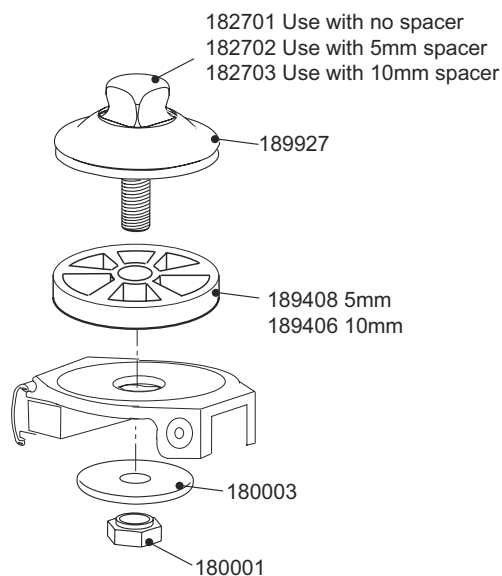
# Adapters Schematics

10. Female pyramid adapter:  
 Large P409049  
 Small P409050



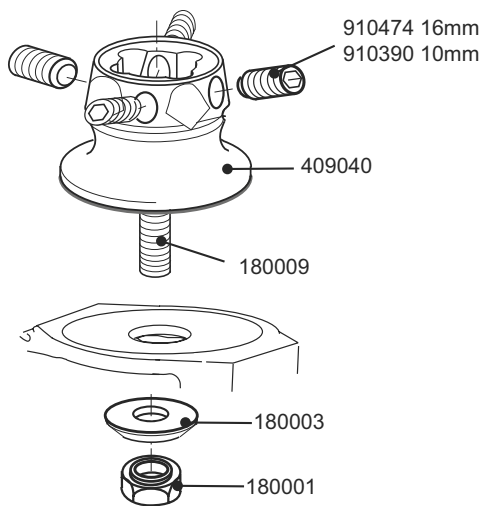
Instructions for use 938090

11. Full align. pyramid  
 Standard 189127  
 5mm spacer 189227  
 10mm spacer 189327



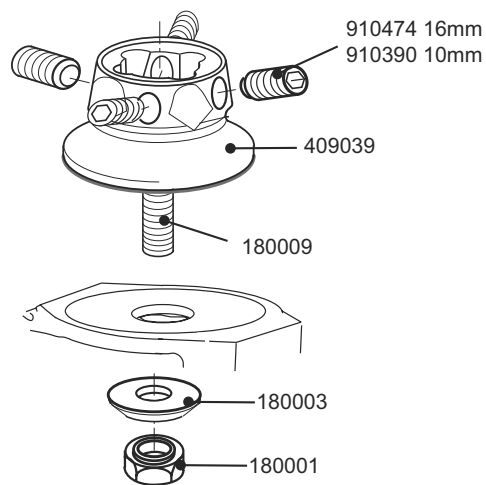
Instructions for use 938164

12. Pyramid shift adapter L: 409042



Instructions for use 938050

13. Pyramid shift adapter S 409041



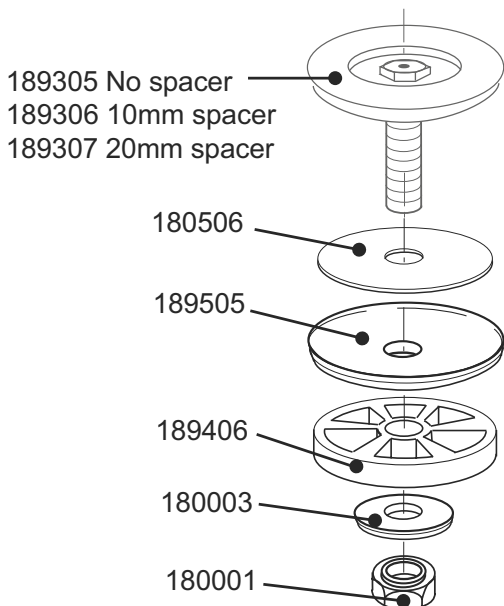
Instructions for use 938050



# Adapters Schematics

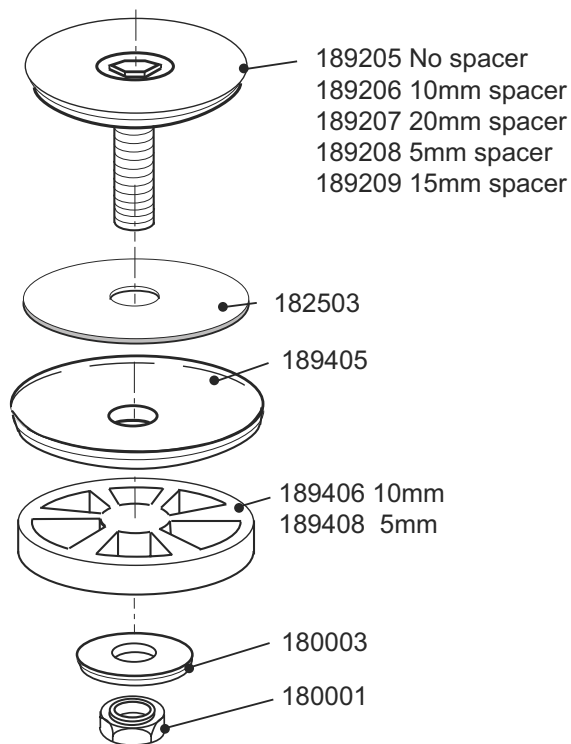
## 14. TT alignment kit

- Standard **189906**
- Lengthening 10mm **189907**
- Lengthening 20mm. **189607**

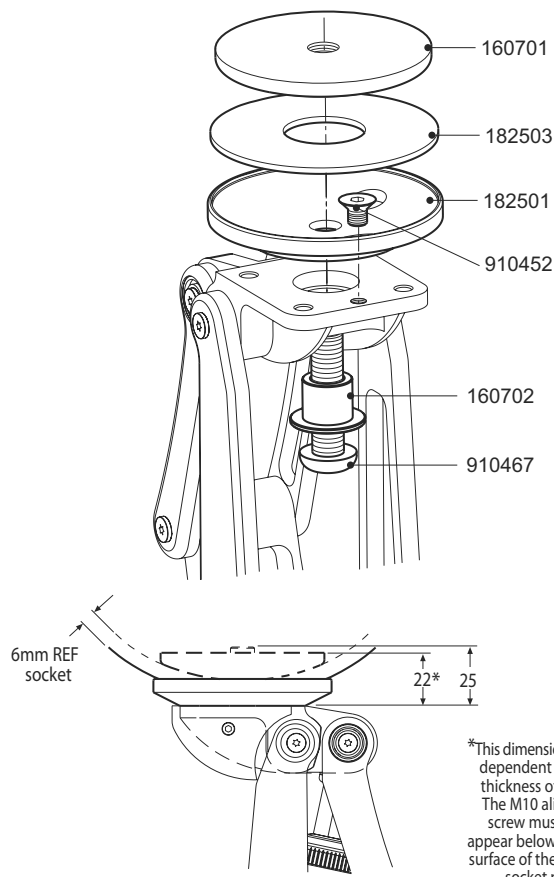


## 15. TF alignment kit

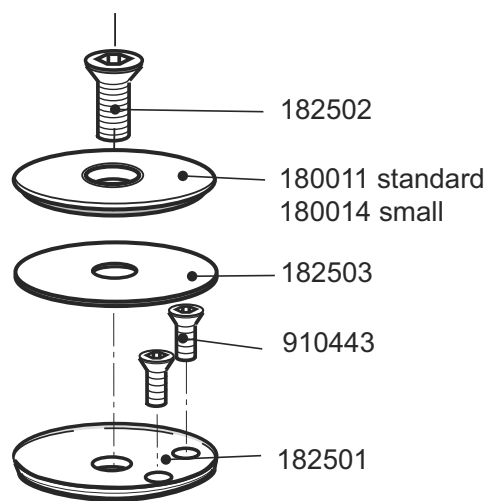
- standard **189806**
- shortening (10) **189805**
- lengthening (10) **189807**
- shortening (5) **189808**
- lengthening (5) **189809**



## 16. KX06 alignment kit **169207**



## 17. TF short knee adapter **189125**



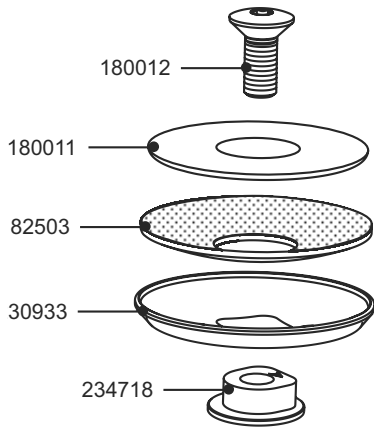
Instructions for use **938272**

Instructions for use **938050**

Build part numbers are for assembly guidance only and may not be for sale separately.

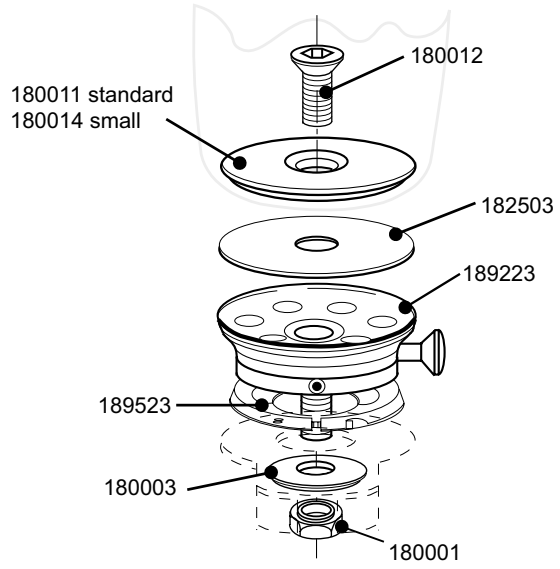
# Adapters Schematics

18. Alignment kit 239032



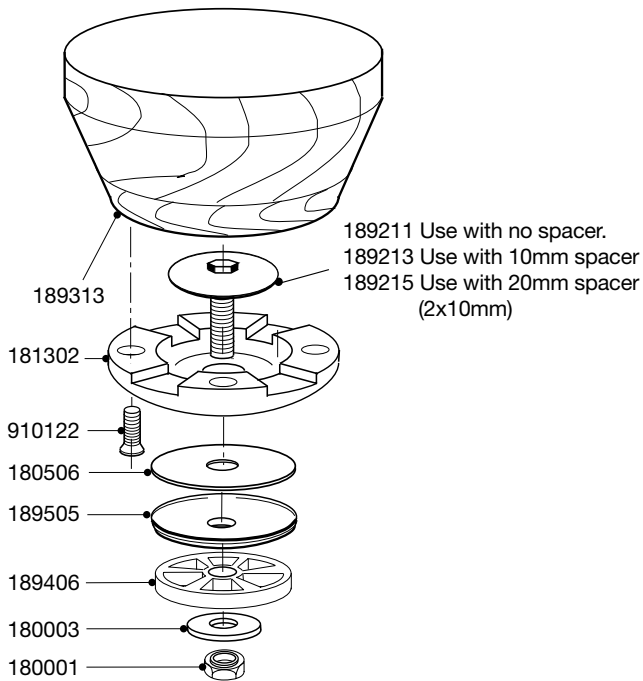
Instructions for use 938265

19. TF turntable kit 189123



Instructions for use 934356

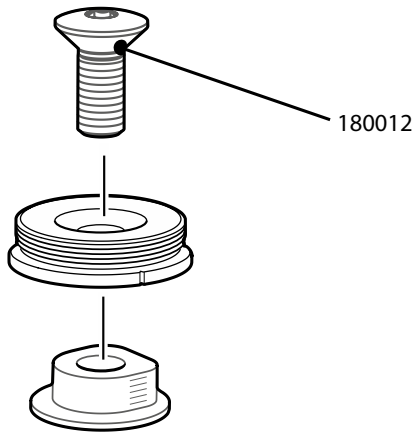
20. Wood adapter kit 189811, 189113, 189815 (see diagram)



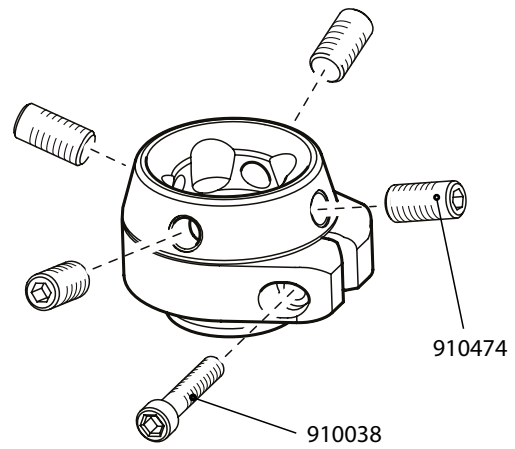
Instructions for use 934363

# Adapters Schematics

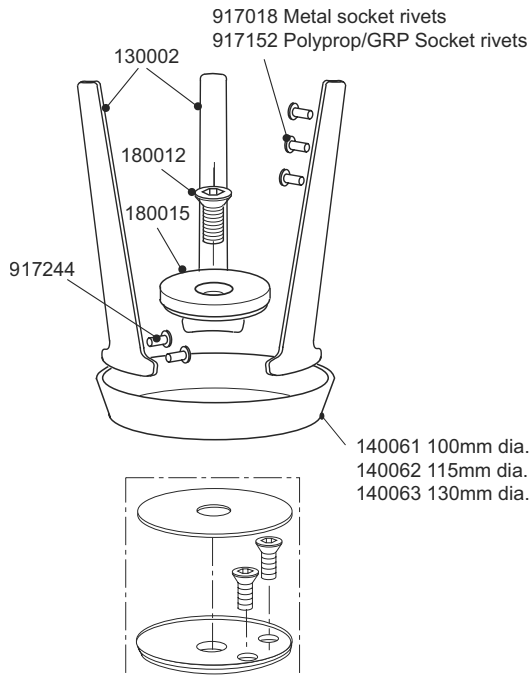
21. M36 Adapter 239092



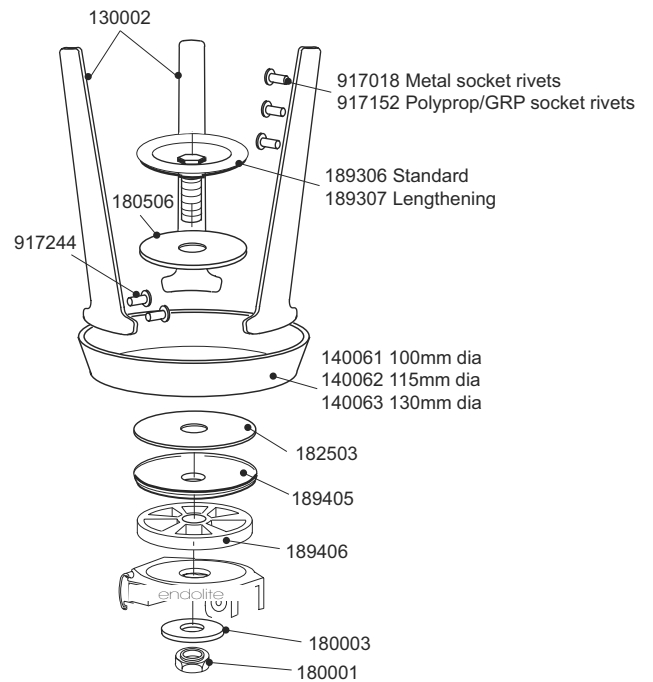
22. Pyramid female - sliding & rotating 189128



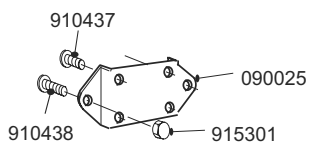
Cup & Strut kit TF - Endolite dome  
 (metal cup 100mm dia.) 189217  
 (metal cup 115mm dia.) 189218  
 (metal cup 130mm dia.) 189219



Cup & Strut kit TF - full alignment  
 110mm 189117  
 10mm lengthening 189707  
 10mm shortening 189906  
 115mm 189118  
 130mm 189119

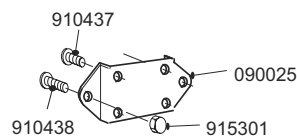


Thigh release mounting kit 099028



Instructions for use 934361

Thigh release mounting kit 099028



Instructions for use 934327



# Adapters Schematics

Number	Description	Part Number	Build height	Material	Weight	Max. User wt. /Activity Level
1	Tube clamp adapter pyramid female 30mm	<b>AK30M1</b>	15mm (51mm)	Titanium	92g	150kg / 1-3 145kg / 1-4
2	Blade top housing TT male - sliding & rotating	<b>539601</b>	7mm	Aluminium/ Titanium	165g	166kg / 1-3 130kg / 1-4
3	Blade top housing TT female - sliding & rotating	<b>539602</b>	28mm	Aluminium/ Titanium	240g	166kg / 1-3 130kg / 1-4
4	Tube clamp double female/male adapter - 35mm to 30mm	<b>339301</b>	34mm (85mm)	Aluminium	102g	125kg / 1-3 100kg / 1-4
5	Pylon adapter pyramid female - 200mm long - 400mm long - 500mm long	<b>739052</b>	15mm (51mm + tube)	Aluminium	213g	125kg / 1-3 100kg / 1-4
		<b>739053</b>	15mm (51mm + tube)	Aluminium	362g	125kg / 1-3 100kg / 1-4
		<b>739054</b>	15mm (51mm + tube)	Aluminium	420g	125kg / 1-3 100kg / 1-4
6	High strength tube adapter single 30mm High strength tube adapter double 30mm	<b>239030</b>	15mm (51mm + tube)	Titanium/ Carbon Fibre	272g	150kg / 1-3 145kg / 1-4
		<b>239029</b>	40mm + tube (250 max)	Titanium/ Carbon Fibre	364g	150kg / 1-3 145kg / 1-4
7	Pylon adapter pyramid female 30mm- low profile	<b>409053</b>	60mm min, 90mm max	Aluminium	97g	125kg / 1-3 100kg / 1-4
8	Pylon 30mm	<b>330120</b>	250mm max	Carbon Fibre	100g	100kg / 1-3 100kg / 1-4
	High strength pylon 30mm	<b>330146</b>	250mm max	Carbon Fibre	180g	150kg / 1-3 145kg / 1-4
	Pylon 30mm/500mm	<b>903220/500</b>	500mm max	Aluminium	360g	125kg / 1-3 100kg / 1-4
	Pylon 30mm/400mm	<b>903220/400</b>	400mm max	Aluminium	285g	125kg / 1-3 100kg / 1-4
	Pylon 30mm/200mm	<b>903220/200</b>	200mm max	Aluminium	150g	125kg / 1-3 100kg / 1-4
	30mm CF Tube 30mm CF Tube	<b>330137</b> <b>330132</b>	420mm max 508mm max	Aluminium Aluminium	167g 206g	100kg / 1-4 100kg / 1-4
9	Pylon adapter 30mm - full alignment	<b>019231</b>	95mm (280mm)	Aluminium/ Carbon Fibre	348g	100kg / 1-3
10	Pylon adapter full alignment female 30mm- low profile	<b>339240</b>	43mm (95mm)	Aluminium	185g	125kg / 1-3 100kg / 1-4
11	Top housing TT 30mm - full alignment	<b>339008</b>	25mm (59mm)	Aluminium	142g	100kg / 1-3
12	Ankle disarticulation kit - Endolite dome*	<b>399101</b>	20mm	Aluminium/ St. Steel	141g	125kg / 1-3 100kg / 1-4
13	Multiflex Ankle/Seattle Lightfoot connector	<b>409012</b>	4.5mm	St. Steel	102g	125kg / 1-3 100kg / 1-4
14	Multiflex TT Kit	<b>TTKIT3060L22 - TTKIT3080R30</b>		(not shown)		

\*for Seattle Lightfoot.

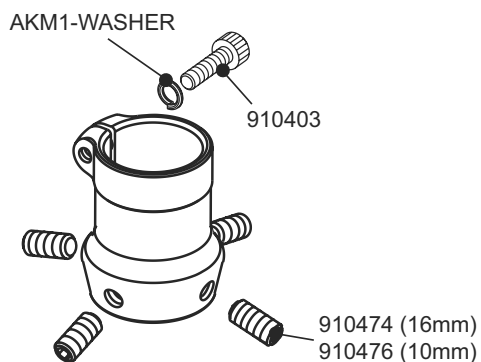
# Tubes and Adapters





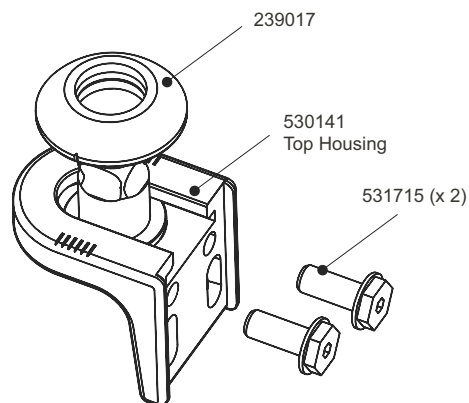
# Adapters Schematics

Pyramid clamp 30mm AK30M1



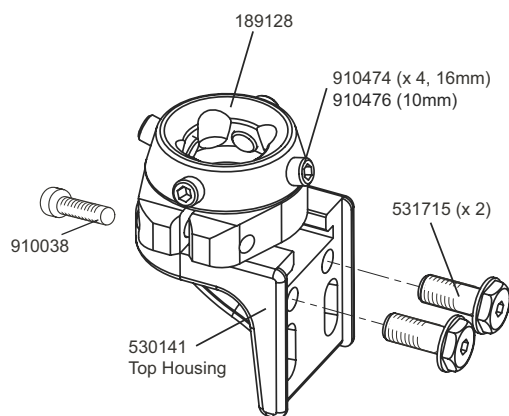
Instructions for use 938252

Blade and Javelin top 539601  
Housing TT male



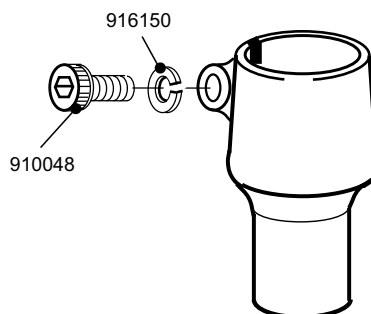
Instructions for use 938307 & 938179

Blade and Javelin top 539602  
Housing TT female



Instructions for use 938307 & 938313

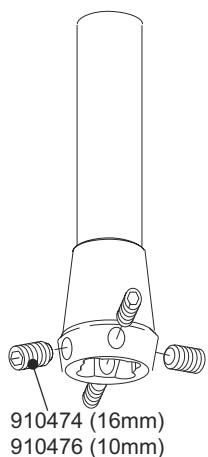
Tube clamp double female/male adapter - 339301  
35mm to 30mm



Instructions for use 938073

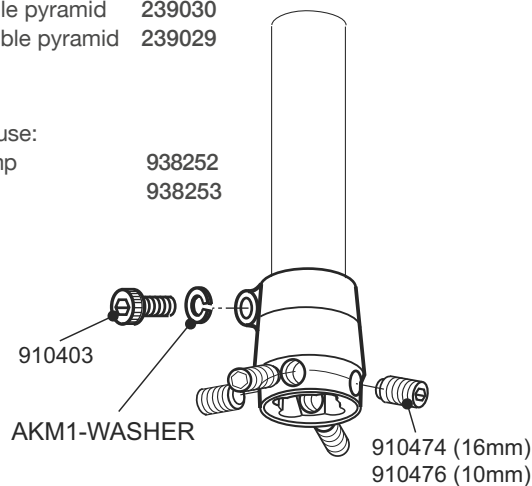
Bonded Pyramid Adapter - 30mm tube  
200mm 739052  
400mm 739053  
500mm 739054

Instructions for use 938228



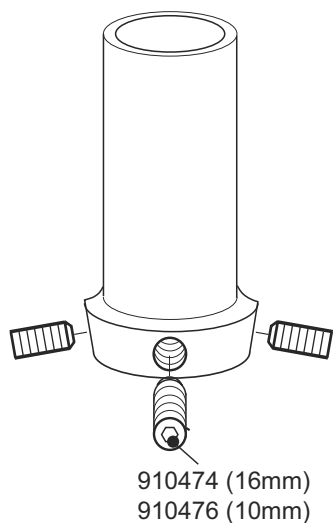
High Strength Shin Kit  
30mm tube single pyramid 239030  
30mm tube double pyramid 239029

Instructions for use:  
30mm, tube clamp 938252  
tube 938253



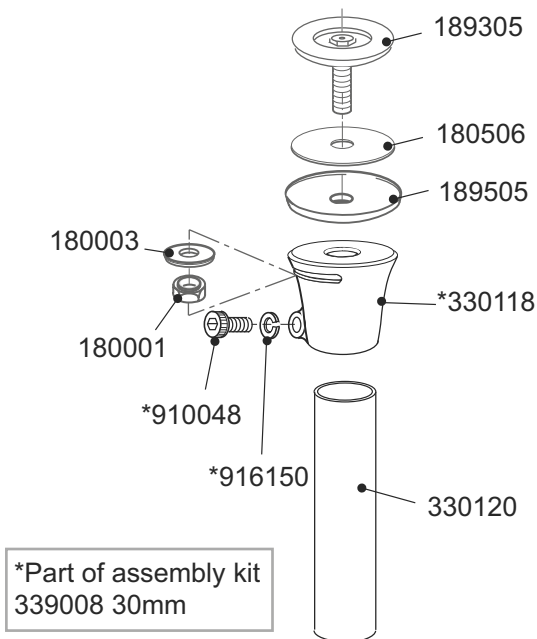
# Adapters Schematics

Pyramid pylon 30mm 409053



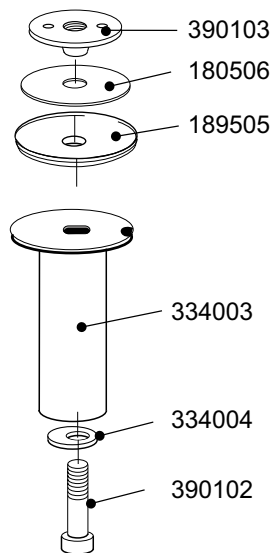
Instructions for use 938227

TT shin system - 30mm 019231



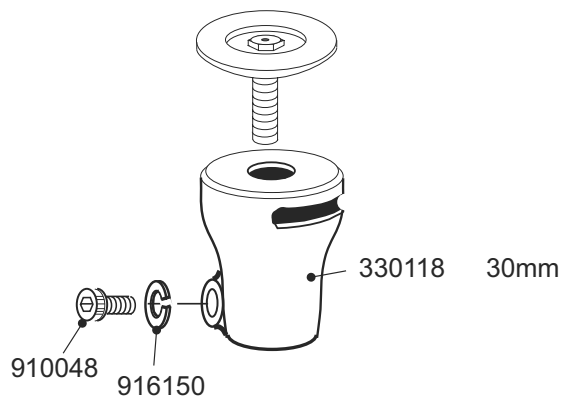
Instructions for use 934393

Long stump adapter 30mm dia 339240



Instructions for use 938069

Upper housing for TT - 30mm 339008

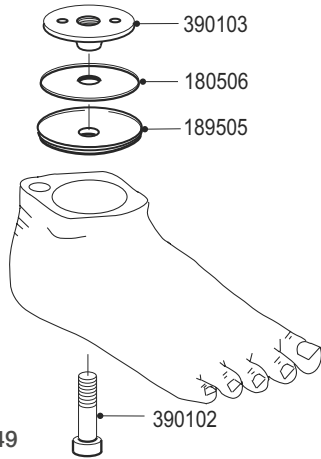


Instructions for use 938054

# Multiflex Ankle Schematics

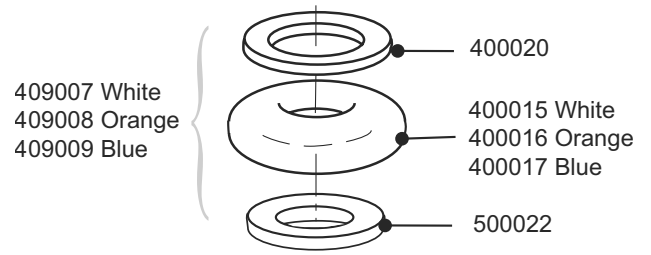
Ankle disartic. kit 399101

(For Seattle Lightfoot.)



Instructions for use 934349

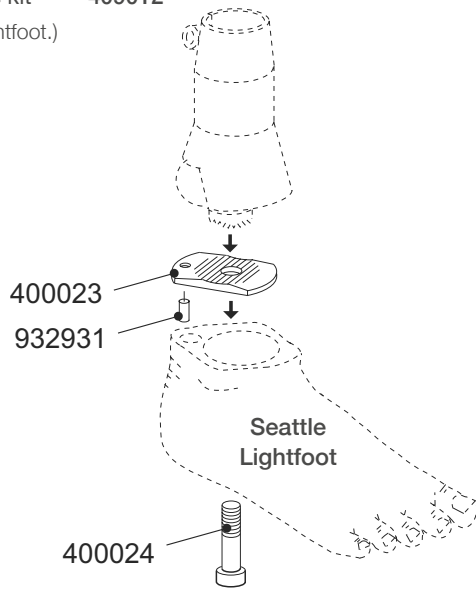
Snubber



Instructions for use 934331

Multiflex ankle kit 409012

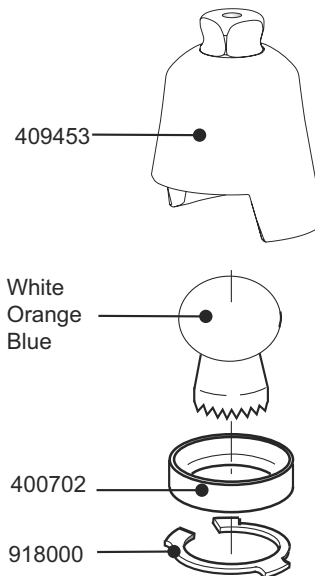
(For Seattle Lightfoot.)



Instructions for use 934339

Multiflex ankle (pyramid)

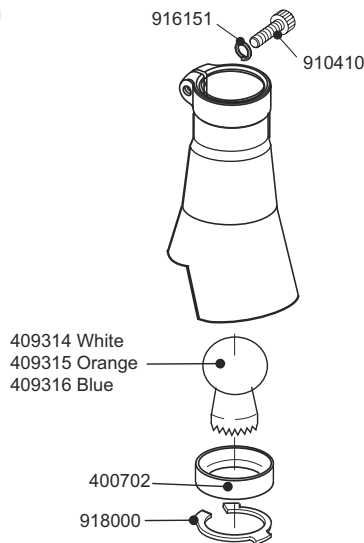
60° (w) 409353  
70° (o) 409354  
80° (b) 409355



Instructions for use 938225

Multiflex ankle 30mm

60° (w) 379342  
70° (o) 379343  
80° (b) 379344



Instructions for use 938224

Build part numbers are for assembly guidance only and may not be for sale separately.



Multi-axial ankle function for secure foot placement during gait.

# Multiflex Ankle

Ankle Part Number and Description

Snubber Part Number and Description

Max. User Weight/ Activity Level Description

379342 Multiflex ankle W 30mm  
 379343 Multiflex ankle O 30mm  
 379344 Multiflex ankle B 30mm

409007 - snubber W 60°  
 409008 - snubber O 70°  
 409009 - snubber B 80°

125kg / 1-3



409353 Pyramid Multiflex W  
 409354 Pyramid Multiflex O  
 409355 Pyramid Multiflex B

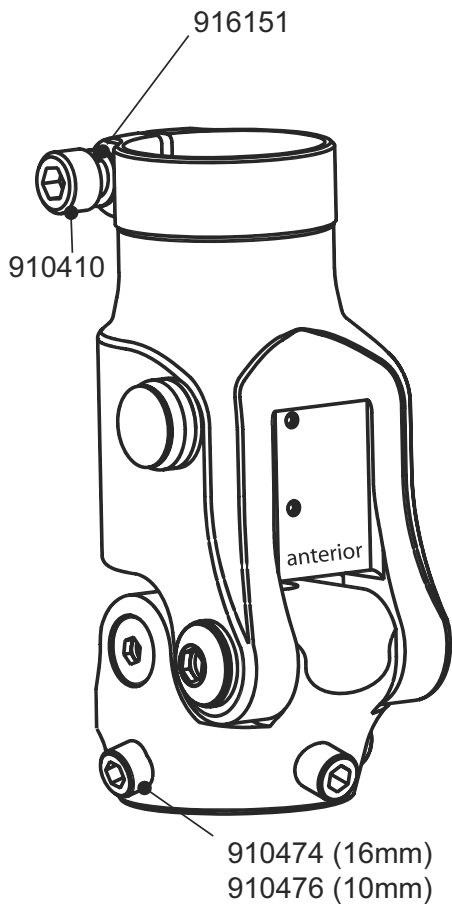
409007 - snubber W 60°  
 409008 - snubber O 70°  
 409009 - snubber B 80°

125kg / 1-3



Build height	Material	Weight	Ankle and snubber selection
60mm 	Aluminium	201g	<div style="display: flex; justify-content: space-around;"> <div style="text-align: center;">  60kg                             </div> <div style="text-align: center;">  80kg                             </div> <div style="text-align: center;">  100kg                             </div> <div style="text-align: center;">  125kg                             </div> </div> <p> <span style="margin-right: 20px;">Ankle</span> <span>Snubber</span> </p>
58mm 	Aluminium & Stainless Steel	199g	<p>Snubber for standard ankle:</p> 

# Brio Schematics



Instructions for use 938261

Unique push button device that allows the user to adjust heel height for shoe changes or bare foot walking. 25mm range of adjustment.

# Brio

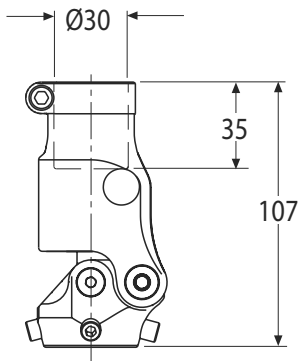
## Specifications

<b>Max. User Weight/Activity Level:</b>	100kg/ 1-4 125kg/ 1-3
<b>Component Weight:</b>	395g
<b>Build Height:</b>	107mm
<b>System Diameter:</b>	30mm

## Part Number

**BRIO30**

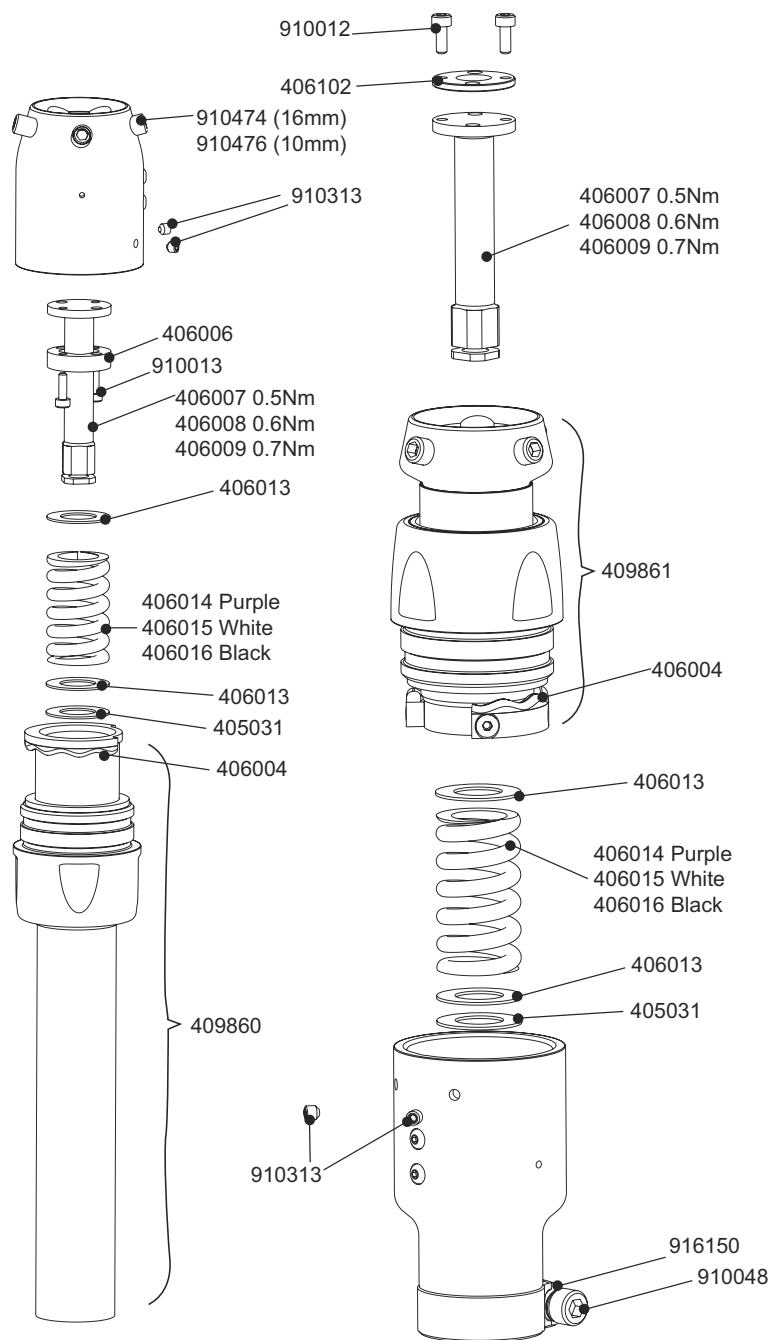
## Build Height



Suitable for outdoor use



# TTPro Schematics



Instructions for use    938416

Ancillary component designed to cushion shock and shear forces caused by vertical and rotational movement. Ideal for sports and activities such as golf, tennis and hiking.

TTPro

## Specifications

<b>Max. User Weight/Impact Level:</b>	100kg/ 1-4 125kg/ 1-3
<b>Component Weight:</b>	From 317g
<b>Build Height:</b>	135mm - 260mm (pyr) 145mm (clamp)
<b>System diameter:</b>	30mm



Pyramid



Clamp



Suitable for outdoor use

## Order Example

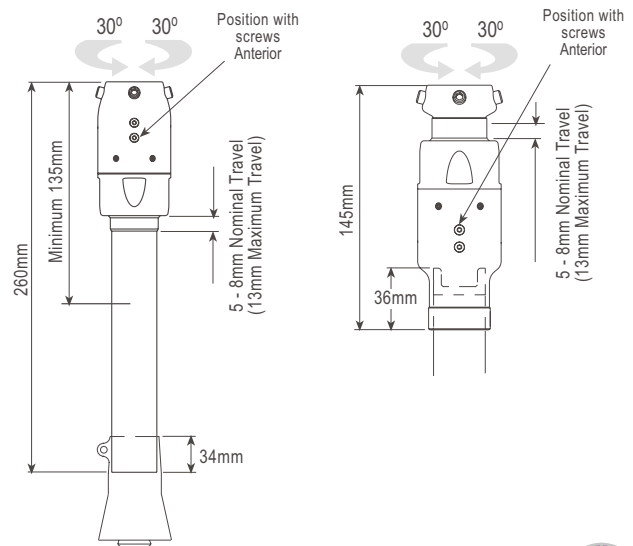
Pyramid			
Product Code	Rod	Spring Set	
<b>TTPRO</b>	<b>PYR</b>	<b>3</b>	<b>B</b>

eg. TTPRO-PYR3B

Clamp			
Product Code	Rod	Spring Set	
<b>TTPRO</b>	<b>30</b>	<b>3</b>	<b>B</b>

eg. TTPRO-30-3B

## Build Height



Impact Level	User Weight								Rod and Spring Set
	44-52 100-115	53-59 116-130	60-68 131-150	69-77 151-170	78-88 171-195	89-100 196-220	101-116 221-255	117-125 256-275	
Low	1P	2P	2P	2W	2W	3B	3B	3B	
Moderate	2P	2W	3W	3W	3B	3B	3B	3B	
High	3W	3W	3B	3B	3B	3B	-	-	

41  
32





**silcare breathe**



# Liners



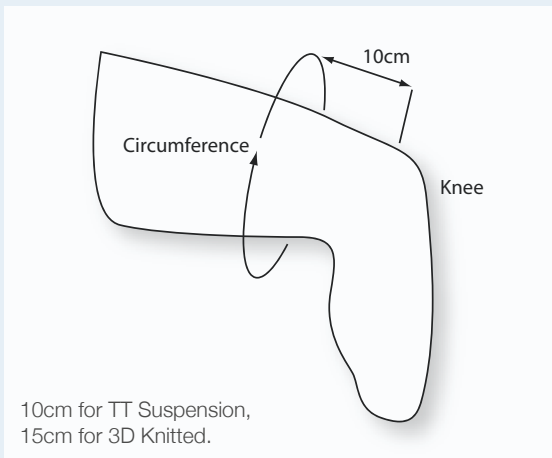
# Silcare Breathe Liner - Cushion



## Guide to Measurements

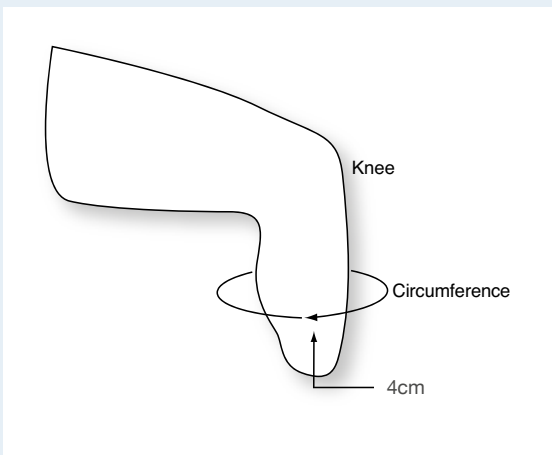
### Suspension Sleeves

How to size, measurements taken 10cm or 15cm above patella.



### Liners

How to size, measurements taken 4cm from the distal end, depending on liner brand as shown.



## Features

- Trans-tibial
- Laser perforations distributed uniformly along the length and distal end to permit escape of air and moisture
- Seamless bi-directional stretch to improve comfort and contouring. Shear forces on the knee are reduced as it flexes
- Tendresse™ finish reduces shear stress on the skin
- Use with a one-way valve helps to generate a better vacuum and more secure fit
- 6 month warranty

## Part Numbers

**SBTTCPXXL Silcare Breathe Cushion**

XX indicates size, see sizing chart and illustrations for details

## Sizing Chart

Measurements taken 4cm from the distal end

Measured Size (cm)	Part Number	Description
22cm	<b>SBTTCP22L</b>	Silcare Breathe 22
23.5cm	<b>SBTTCP23L</b>	Silcare Breathe 23.5*
25cm	<b>SBTTCP25L</b>	Silcare Breathe 25
26.5cm	<b>SBTTCP26L</b>	Silcare Breathe 26.5*
28cm	<b>SBTTCP28L</b>	Silcare Breathe 28
30cm	<b>SBTTCP30L</b>	Silcare Breathe 30
32cm	<b>SBTTCP32L</b>	Silcare Breathe 32
34cm	<b>SBTTCP34L</b>	Silcare Breathe 34
36cm	<b>SBTTCP36L</b>	Silcare Breathe 36
40cm	<b>SBTTCP40L</b>	Silcare Breathe 40

\*note- 23.5 = SBTTCP23L , 26.5 = SBTTCP26L

Valves and accessories recommended for use in conjunction with the EchelonVAC can be found on page 128.

# Silcare Breathe Liner - Locking



## Features

- Trans-tibial
- Laser perforations distributed uniformly along the length and distal end to permit escape of air and moisture
- Locking system and unique one way valve create an airtight seal between the skin and the inner surface of the liner. No separate suspension sleeve is required contributing to a cooler environment for skin and a more comfortable limb and socket connection.
- Uni-directional stretch at the distal end resists pistoning whilst bi-directional stretch at the proximal end allows for comfortable knee flexion.
- Tendresse™ finish reduces shear stress on the skin
- 6 month warranty

## Part Numbers

### SBTTLPXXL Silcare Breathe Locking

XX indicates size, see sizing chart and illustrations for details

## Sizing Chart

Measurements taken 4cm from the distal end

Measured Size (cm)	Part Number	Description
22cm	<b>SBTTLP22L</b>	Silcare Breathe Locking 22
23.5cm	<b>SBTTLP23L</b>	Silcare Breathe Locking 23.5*
25cm	<b>SBTTLP25L</b>	Silcare Breathe Locking 25
26.5cm	<b>SBTTLP26L</b>	Silcare Breathe Locking 26.5*
28cm	<b>SBTTLP28L</b>	Silcare Breathe Locking 28
30cm	<b>SBTTLP30L</b>	Silcare Breathe Locking 30
32cm	<b>SBTTLP32L</b>	Silcare Breathe Locking 32
34cm	<b>SBTTLP34L</b>	Silcare Breathe Locking 34
36cm	<b>SBTTLP36L</b>	Silcare Breathe Locking 36
40cm	<b>SBTTLP40L</b>	Silcare Breathe Locking 40

\*note- 23.5 = SBTTLP23L , 26.5 = SBTTLP26L

# Endolite Comfort Liner - Cushion



## Features

- Trans-tibial
- Seamless bi-directional stretch to improve comfort and contouring
- Tendresse™ finish reduces shear stress on the skin
- 6 month warranty

## Part Numbers

### CTTCPXXL Comfort - Cushion

XX indicates size, see sizing chart and illustrations for details

## Sizing Chart

Measurements taken 4cm from the distal end

Measured Size (cm)	Part Number	Description
22cm	<b>CTTCP22L</b>	Comfort - Cushion 22
23.5cm	<b>CTTCP23L</b>	Comfort - Cushion 23.5
25cm	<b>CTTCP25L</b>	Comfort - Cushion 25
26.5cm	<b>CTTCP26L</b>	Comfort - Cushion 26.5
28cm	<b>CTTCP28L</b>	Comfort - Cushion 28
30cm	<b>CTTCP30L</b>	Comfort - Cushion 30
32cm	<b>CTTCP32L</b>	Comfort - Cushion 32
34cm	<b>CTTCP34L</b>	Comfort - Cushion 34
36cm	<b>CTTCP36L</b>	Comfort - Cushion 36
40cm	<b>CTTCP40L</b>	Comfort - Cushion 40

\*note- 23.5 = CTTCP23L , 26.5 = CTTCP26L



# Endolite Comfort Liner - Locking



## Features

- Trans-tibial
- Pin lock version suitable for a variety of lock and pin preferences
- Stabilising external matrix with integrated stretch zones
- Tendresse™ finish reduces shear stress on the skin
- 6 month warranty

## Part Numbers

**CTTLPXXL Comfort - Locking**

XX indicates size, see sizing chart and illustrations for details

## Sizing Chart

Measurements taken 4cm from the distal end

Measured Size (cm)	Part Number	Description
22cm	<b>CTTLP22L</b>	Comfort - TT Locking 22
23.5cm	<b>CTTLP23L</b>	Comfort - TT Locking 23.5
25cm	<b>CTTLP25L</b>	Comfort - TT Locking 25
26.5cm	<b>CTTLP26L</b>	Comfort - TT Locking 26.5
28cm	<b>CTTLP28L</b>	Comfort - TT Locking 28
30cm	<b>CTTLP30L</b>	Comfort - TT Locking 30
32cm	<b>CTTLP32L</b>	Comfort - TT Locking 32
34cm	<b>CTTLP34L</b>	Comfort - TT Locking 34
36cm	<b>CTTLP36L</b>	Comfort - TT Locking 36
40cm	<b>CTTLP40L</b>	Comfort - TT Locking 40

\*note- 23.5 = CTTLP23L , 26.5 = CTTLP26L

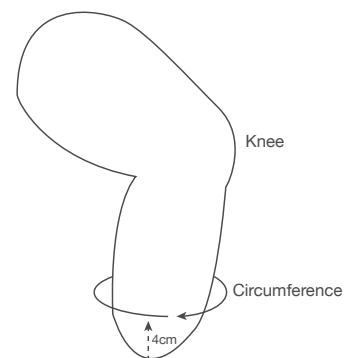
# Parasil Liner



**Silicone liner with a stabilising matrix and distal lock.**

## Part Numbers

Description	Circumference (cm)	Part Number
Parasil Locking Liner	18	3020L-18
Parasil Locking Liner	20	3020L-20
Parasil Locking Liner	22	3020L-22
Parasil Locking Liner	23.5	3020L-23.5
Parasil Locking Liner	25	3020L-25
Parasil Locking Liner	26.5	3020L-26.5
Parasil Locking Liner	28	3020L-28
Parasil Locking Liner	30	3020L-30
Parasil Locking Liner	32	3020L-32
Parasil Locking Liner	34	3020L-34
Parasil Locking Liner	36	3020L-36
Parasil Cushion Liner	18	3020C-18
Parasil Cushion Liner	20	3020C-20
Parasil Cushion Liner	22	3020C-22
Parasil Cushion Liner	23.5	3020C-23.5
Parasil Cushion Liner	25	3020C-25
Parasil Cushion Liner	26.5	3020C-26.5
Parasil Cushion Liner	28	3020C-28
Parasil Cushion Liner	30	3020C-30
Parasil Cushion Liner	32	3020C-32
Parasil Cushion Liner	34	3020C-34
Parasil Cushion Liner	36	3020C-36



# 3D Knitted



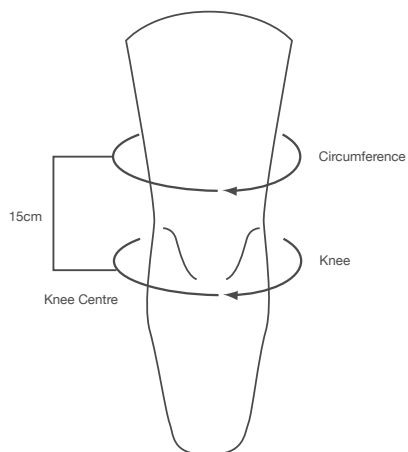
3D trans-tibial knitted sleeve.

## Part Numbers

### Description

- 3D Sleeve size 4
- 3D Sleeve size 5
- 3D Sleeve size 6

- 3DSST4**
- 3DSST5**
- 3DSST6**



Size	4	5	6
Circumference			
15cm above KC	38	39.5	41
Circumference at KC	31	32.5	34

# TT Suspension



Neoprene trans-tibial sleeve.

## Part Numbers

### Trans-tibial Suspension Sleeves

029071  
029078

Size	Fitting Range	
1	240mm - 275mm	029071
2	265mm - 305mm	029072
3	290mm - 330mm	029073
4	320mm - 360mm	029074
5	350mm - 400mm	029075
6	385mm - 440mm	029076
7	425mm - 485mm	029077
8	465mm - 530mm	029078

See page 116 for sleeve and liner measuring guide.







# Cosmesis

# Ankle



Ankle cosmesis for Multiflex low profile feet.

## Part Numbers

	Left	Right	Size
<b>Low Profile Feet</b>			
Multiflex Foot/	<b>561068</b>	<b>561069</b>	<b>22/23/24</b>
Slim Multiflex	<b>561070</b>	<b>561071</b>	<b>25/26</b>
	<b>561072</b>	<b>561073</b>	<b>27/28</b>
	<b>561074</b>	<b>561075</b>	<b>29/30</b>
Super SACH Foot/ Senior Foot	<b>P561081</b>	<b>P561081</b>	<b>All Sizes</b>

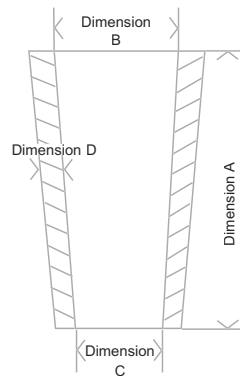
# TT



Plastazote cone for trans-tibial cosmesis.

## Part Numbers - 1

Dimensions				Number
A	B	C	D	
470	135	85	27	<b>561014</b>
470	155	85	27	<b>561015</b>
470	175	85	27	<b>561012</b>
Universal unshaped, 30/35mm				<b>561077</b>



# Universal TT Fairing



Universal trans-tibial shape cosmesis foam fairing with ankle clearance.

## Part Number

Fairing universal shaped, 480mm long **561099**

## Part Number - 2

30mm TT 2 step PE foam block **560043**

## Part Number - 3

30mm TT 2 step PU foam **560040**

# Demountable



Trans-femoral foam for demountable knees.

Foam for ESK+, Smart IP and S-Series knees

## Part Numbers

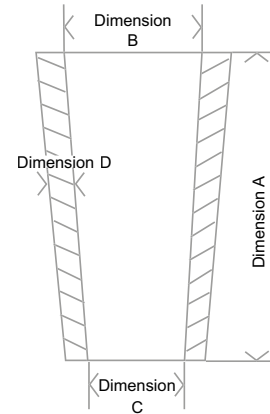
Fairing Shaped Small Left	<b>561095</b>
Fairing Shaped Small Right	<b>561096</b>
Fairing Shaped Large Left	<b>561097</b>
Fairing Shaped Large Right	<b>561098</b>

### 30mm pyramid based TF systems

Internal 55mm bore extends 200mm below knee centre	<b>560031</b>
Internal 55mm bore extends 50mm below knee centre (suitable for Compact SAKL)	<b>560032</b>

Fairing Universal Unshaped	<b>561094</b>
Universal Unshaped	<b>561020</b>

# TF Thigh



Plastazote thigh fairing for upper part of discontinuous cosmesis.

## Part Numbers

### Dimensions

A	B	C	D	Number
450	175	115	27	<b>561001</b>
450	200	140	27	<b>561004</b>
450	190	140	12	<b>561051</b>
450	150	100	12	<b>561052</b>



## Junior



Low density foam fairing for childrens' system.

### Part Numbers

Universal unshaped, 25mm, standard	561078
Trans-tibial/ small Trans-femoral, (not shown)	
Preformed, Trans-femoral	561079
Fairing, Plastazote	561080

## Orion3



Durafoam fairing with low resistance knee flexion section to optimise gait changes

Foam fairing with low resistance knee flexion region.

### Part Number

Orion3 knee fairing	561093
---------------------	--------

## Wheelchair



Pre-shaped wheelchair cosmetic. Available in UK only.

### Part Number

Pre-shaped cosmetic limb	560030
--------------------------	--------

# Mercury Discontinuous



## Part Numbers

Description	Dimension Distal	Proximal	Wall Dimension	Parts
Shin Fairing (1)	85 mm	135 mm	27mm	<b>561014</b>
Shin Fairing (1)	85 mm	155 mm	27mm	<b>561015</b>
Shin Fairing (1)	85 mm	175 mm	27mm	<b>561012</b>
Thigh Fairing (2)	115 mm	175 mm	27mm	<b>561001</b>
Thigh Fairing (2)	140 mm	200 mm	27mm	<b>561004</b>
Thigh Fairing (2)	140 mm	190 mm	12mm	<b>561051</b>
Thigh Fairing (2)	100 mm	150 mm	12mm	<b>561052</b>
Shin Sleeve (3)				<b>580048</b>
Knee ball small (4)				<b>572501</b>
Knee ball medium (5)				<b>572502</b>
Support sleeve (6)				<b>572504</b>



Pyramid version  
not shown

Distal Attachment and Cylinders	Discon Small *100mm with Cylinder	Discon Medium *110mm with Cylinder	Discon Small *100mm no Cylinder	Discon Medium *110mm no Cylinder
30mm Distally	<b>MHD30S</b>	<b>MHD30M</b>	<b>239037</b>	<b>239038</b>
Pyramid Distally	<b>MHDPYRS</b>	<b>MHDPYRM</b>	<b>239040</b>	<b>239041</b>
Supplied with knee ball and support sleeve. <b>Shin only - 239752</b>			Knee details on page 23	

## Discontinuous



Discontinuous cosmesis articulates at the knee without affecting function. Robust for active users.

## Part Numbers

For use with ESK+, will allow up to 140° flexion	<b>579719</b>
For use with ESK+, 160H will allow up to 120° flexion only. Not suitable for ESK with Manual Knee Lock	<b>579819</b>
Knee ball assembly (contained within kit No. 579719)	<b>579419</b>

## Non-Definitive TT



Pre-shaped plastic cosmeses for temporary use.

## Part Numbers

Cosmetic cover, small	<b>580011</b>
Cosmetic cover, medium	<b>580014</b>
Cosmetic cover, large	<b>580017</b>

## TT Fabric



### Part Numbers

Size	Foot Size	Colour Code	Light Tone	Medium Tone	Dark Tone
1	22 - 25	Yellow	571251	571253	571252
2	24 - 27	Blue	571261	571263	571262
3	26 - 30	Red	571271	571273	571272

 Supplied in packs of two

## TF Fabric



### Part Numbers

Size	Foot Size	Colour Code	Light Tone	Medium Tone	Dark Tone
1	22 - 25	Yellow	571201	571203	571202
2	24 - 27	Blue	571211	571213	571212
3	26 - 30	Red	571221	571223	571222

 Supplied in packs of two

## HD Fabric



### Part Numbers

Size	Foot Size	Colour Code	Light Tone	Medium Tone	Dark Tone
4	26 - 30	Green	571231	571233	571232

 Supplied in packs of two

## Stockings



### Part Numbers

Unseamed toe, white nylon, 30 denier x 1.25m **909209**

Unseamed toe, brown nylon, 30 denier x 1.25m **909212**

Supplied in packs of two



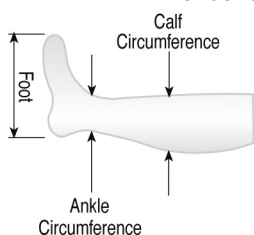
# RPVC - TT



## Part Numbers

### Circumference

Size	Calf	Ankle	Foot	Light Tone	Medium Tone	Dark Tone
X. Small	295	185	22-24	571081	571083	571082
Small	335	225	23-25	571091	571093	571092
Medium	345	225	25-27	571101	571103	571102
Large	355	235	27-28	571111	571113	571112
X. Large	355	235	29-30	571161	571163	571162
Medium shin, regular ankle, footless					570030	
Medium shin, small ankle, footless					570035	
Medium shin, regular foot					570049	



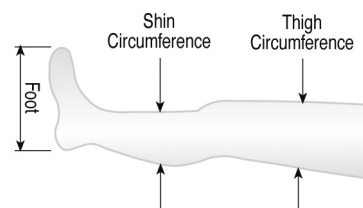
# RSi - TF



## Part Numbers

### Circumference

Size	Thigh	Shin	Foot	Light Tone	Medium Tone	Dark Tone
Sml ladies	420	320	23-24	571041	571043	571042
Med ladies	460	355	23-24	571051	571053	571052
Sml mens	420	320	25-26	571001	571003	571002
Med mens	460	355	25-26	571011	571013	571012
Lrg mens	490	400	26-28	571021	571023	571022
X. Lrg mens	545	400	26-28	571031	571033	571032



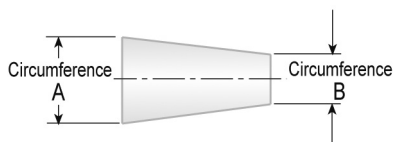
# RPVC/RSi



## Part Numbers

### Description

Size	A	B	Light Tone	Medium Tone	Dark Tone
Small	485	295	571121	571123	571122
Medium	580	365	571131	571133	571132
Large	690	450	571141	571143	571142
X. Large	800	510	571151		571152



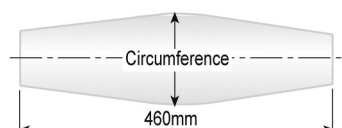
# RPVC (discon.)



## Part Numbers

### Circumference

Size	240mm above KC	
<b>Light Tone</b>		
Ex. Small	360	570063
Small	390	570001
Medium	410	570006
Large	430	570011
X. Large	520	570016



# One Shot



**Carbon fibre socket kit, single lamination lay up that is tested to 150kg for moderate activity. Available in both male and female pyramid version.**

**User weight/ Activity Level:** 145kg/ 1-4  
150kg/ 1-3

## Part Numbers

One shot socket Male Pyramid 15cm	<b>109109</b>
One shot socket Male Pyramid 20cm	<b>109209</b>
One shot socket Female Pyramid 15cm	<b>109309</b>
One shot socket Female Pyramid 20cm	<b>109409</b>

### General Items

Description	Width	
Carbon fibre tape	38	<b>909223</b>
Carbon fibre tape	75	<b>909222</b>
High density plastazote		<b>905216</b>
Glass needle mat		<b>909201</b>
Glass fibre stockinette	100	<b>909202</b>
Glass fibre stockinette	150	<b>909203</b>
Glass fibre stockinette	200	<b>909204</b>
Glass fibre stockinette	300	<b>909205</b>
Nylon stockinette	100	<b>909103</b>
Nylon stockinette	150	<b>909107</b>
Non-woven terylene felt		<b>909100</b>
Polyester resin, rigid		<b>905001</b>
Polyester resin, flexible		<b>905002</b>
Accelerator		<b>905003</b>
Catalyst		<b>905004</b>
Pigment, flesh		<b>927301</b>
Acrylic resin, ready mixed 80/20 (4.6 kg)		<b>905100</b>
Acrylic resin, C (0.9 kg)		<b>905102</b>
Hardener powder (0.15 kg)		<b>905106</b>
Sealing resin (0.9 kg)		<b>905110</b>
Colour paste, light/skin		<b>905115</b>
Colour paste, white		<b>905116</b>
Colour paste, brown		<b>905117</b>
Hard foam H300 (4.6 kg)		<b>905121</b>
Hardener for H300 (4.6 kg)		<b>905131</b>
Cast resin 103P (4.6 kg)		<b>905140</b>

### Hip disarticulation support plate

Carbon fibre plate lay-up kit	<b>099933</b>
-------------------------------	---------------

# Locks



**Endolite socket lock.**

## Part Numbers

Socket Lock for use with Silicone Sockets (supplied with M10 Lock Rod)	<b>109108</b>
Lock Rod Assembly M10	<b>109308</b>
Lock Rod Assembly 1/4" UNC	<b>109408</b>

# Valves



## Part Numbers

Trans-femoral Suction Socket Valve Kit Standard 19mm dia. orifice	<b>099132</b>
Large 24mm dia. orifice	<b>099134</b>
Trans-femoral, Flexible Socket Valve Kit Large 24mm dia. orifice	<b>099135</b>

### Vacuum Accessories

Lyn Valve BK2	<b>929052</b>
Lyn Valve RV Kit - Auto Expulsion	<b>PA0002</b>
Lyn Valve RV Manual Expulsion Kit	<b>PA0300</b>
Lyn Valve RV Slide	<b>PA0400</b>
Threaded Housing	<b>929053</b>
One-way check valve	<b>929054</b>
In-line filter	<b>929051</b>
Vacuum tubing 1m length	<b>905464</b>
Socket Connection Kit	<b>409663</b>
Check Valve Service Kit	<b>409863</b>

# Flexible Thermoplastic



Plastics for Thermoformed sockets.

Polyethylene PE MPE PLUS

## Part Numbers

Size	Thickness	Part Number
305 x 305	6	904263
305 x 305	9	904264
343 x 343	6	904266
343 x 343	9	904267
406 x 406	6	904260
406 x 406	9	904261
420 x 460	9	904268

# Seaflex



Seaflex flexible thermoplastic socket material  
Polyolefin elastomer.

## Part Numbers

12.7 x 406	SFLEX40012.7N100
12.7 x 406	SFLEX40012.7N200
12.7 x 406	SFLEX40012.7N300
16 x 406 S	FLEX40016N200
9.5 x 406	SFLEX4009.5N300
1220 x 812 x 9.5	SFLEX9.5N100
1220 x 812 x 9.5	SFLEX9.5N200
1220 x 812 x 9.5	SFLEX9.5N300

Laminated Sockets ISNY type Trans-femoral  
Frame lamination kit, 4mm core (long stump) **932362**

# Liner Materials



Cross linked expanded polyethylene foam  
(170kg/m<sup>3</sup>).

## Part Numbers

Sheet Size	Thickness	Part Number
950 x 950	2	NFOAM2F170
950 x 950	2	NFOAM2W170
950 x 950	3	NFOAM3F170
950 x 950	3	NFOAM3W170
950 x 950	5	NFOAM5F170
1000 x 1000	5	NFOAM5W170
950 x 950	7	NFOAM7F170
1000 x 1000	7	NFOAM7W170

Flesh colour cross linked expanded polyethylene foam  
(33 kg/m<sup>3</sup>)

Sheet Size	Thickness	Part Number
1000 x 2000	12	905227
1000 x 2000	27	905226
1000 x 2000	30	905228

Flexible socket liner with "silver shield" EVA/low density polyethylene

Sheet Size	Thickness	Part Number
343 x 343	9	NVANESQ3439N24
343 x 343	12	NVANESQ34312N24
406 x 406	6	NVANESQ4006N24
406 x 406	9	NVANESQ4009N24
406 x 406	12	NVANESQ40012N24

### Important

In accordance with COSHH regulations Safety Data sheets are available as appropriate and are available on request. Note: Hazardous and Inflammable Products. Certain products listed in this section are hazardous and/or inflammable and may be subject to transport restrictions. Our customer service department will confirm whether or not products can be dispatched by your chosen method.



# Socket Materials



**Extruded natural polypropylene homo-polymer.**

## Part Numbers

Size	Thickness	
343 x 343	12	HPPSQ34312N
406 x 406	12	HPPSQ40612N
406 x 406	15	HPPSQ40615N

**Extruded natural polypropylene co-polymer**

Size	Thickness	
305 x 305	12	CPPSQ30512N
305 x 305	12	CPPSQ30512F
343 x 343	12	CPPSQ34312N
343 x 343	12	CPPSQ34312F
343 x 343	15	CPPSQ34315N
343 x 343	15	CPPSQ34315F
406 x 406	12	CPPSQ40612N
406 x 406	12	CPPSQ40612F
406 x 406	15	CPPSQ40615N
406 x 406	15	CPPSQ40615F
420 x 460	15	CPPSQ46042015N
420 x 460	15	CPPSQ46042015F

Note: N = natural F = flesh

**Semi-rigid diagnostic thermoplastic sockets.**

**Compression moulded PETG co-polyester.**

Size	Thickness	
305 x 305	6	NPLEXSQ3056
305 x 305	9	NPLEXSQ3059
343 x 343	9	NPLEXSQ3439
406 x 406	6	NPLEXSQ4066
406 x 406	9	NPLEXSQ4069
406 x 406	12	NPLEXSQ40612
406 x 406	15	NPLEXSQ40615
420 x 460	9	NPLEXSQ4604209

**Semi-rigid thermoplastic reinforcing socket pads - flesh colour polypropylene co-polymer.**

Pad, reinforcing plate, suspension TF PP socket	<b>090015</b>
Pad, reinforcing plate, suspension and release control TF PP socket	<b>090016</b>
Pad, reinforcing plate, thigh release control TF PP socket	<b>090021</b>

# Roehampton



**Silesian style suspension system.**

## Part Numbers

Roehampton Soft Suspension Kit (Silesian)

029127

# Sundries

## Important

In accordance with COSHH regulations Safety Data Sheets are available on all parts listed in this Section. Copies of relevant Data Sheets are available on request. Note: Hazardous and Inflammable Products. Certain products listed in this section are hazardous and/or inflammable and may be subject to transport restrictions. Our customer service department will confirm whether or not products can be dispatched by your chosen method.

## Stockings



- Unseamed, white nylon, 30 denier x 1.25m **909209**  
 Unseamed, white nylon, 22 denier x 1.25m **909210**  
 Unseamed, brown nylon, 30 denier x 1.25m **909212**



- Nylon tubular 10cm - 50m roll **909103**  
 Nylon tubular 15cm **909107**  
 Cotton 4" - 10m roll **930004**  
 Cotton 6" - 10m roll **930007**

## Spatulas



- Spatula, wood **937040**

## Sundries



- Casting pants, hip disarticulation (shown) **609175**

## Casting Tights (Pink)



- Size large pink ballet tights 100% stretch polyamide (nylon) **932340**  
 Size extra large pink ballet tights 100% stretch polyamide (nylon) **932341**

## Velcro Tape



- Hook type self adhesive, 19mm (3/4") wide **909507**  
 Loop type self adhesive, 19mm (3/4") wide **909508**

## Tape



- Self adhesive, 50mm (2") double sided cloth **926401**  
 Self adhesive, 25mm (1") clear PVC **926422**  
 Cloth 50mm (2") **926402**

## Stump Socks



- Stump sock cotton 12" **932310**  
 Stump sock cotton 22" **932315**  
 Stump sock for thermoforming sockets **932327**

- Body sock for hip disarticulation:  
 Large, 65cm long, green stitching (BS01) **572001**  
 Medium, 55cm long, red stitching (BS02) **572002**  
 Small, 50cm long, blue stitching (BS03) **572003**

## Pots



Mixing 16oz, polypropylene  
 Mixing 64oz, polypropylene

936030  
 936033

## Cups



Paper chinacote, 9 fl. oz  
 Paper waxed, 24 fl. oz

937080  
 937081

## Latex Cones



Latex, small  
 Latex, medium  
 Latex, large

940625  
 940626  
 940627

## Tubigrip



Size F (10cm)  
 Size L (32.5cm)

930002  
 930015

## Adhesives



Adhesive, Loctite 222	926001
Adhesive, Loctite 243	926012
Endolite structural adhesive	926162
Adhesive, Loctite IS424	926104
Adhesive, Dunlop Thixofix	926204
Adhesive, Evostik 528	926213
Loctite 638 retainer	926005
Coyote Quick Adhesive 50cc	CD4150
Mix tips 6 pack (for CD4150)	CD401
Mix tips 20 pack (for CD4150)	CD402
Quick Adhesive Dispenser (for CD4150)	CDDMA51

## Lubricants

STP oil treatment	928105
Sealant, silicone rubber RTV108	928320
Release agent, anti-stick spray	928404
Petroleum jelly	928001
Greasil 4000	928009
Rubber and nylon lubricant	928107
Grease-PTFE Impregnated-380g (Foodlube)	928018
Grease-PTFE Impregnated-4kg (Foodlube)	928017
Rocol sapphire endure	928015





## Tools and Equipment

The fabrication process for Endolite limb systems has been taken into account in the design and in order to minimise fabrication time there are a number of specialised tools available to facilitate fast and accurate assembly. We recommend that the specialised tooling be routinely employed to ensure efficient fabrication and optimal performance for the user. All tools necessary for the manufacture of Endolite limbs are included in this section.

## Personal Protection Equipment

The equipment offered is included as a service to our customers, however the responsibility remains for the user to ensure that adequate precautions are taken to meet local regulations and to provide an acceptable level of protection. Copies of relevant data sheets are available on request.

## Cast Equipment



Wall frame **941104**



Wall frame clamp **941240**



Cast taper mandrel **941105**



Cast wrap holder  
Trans-femoral **941106**  
Trans-tibial **941107**



Socket alignment  
mandrel, trans-femoral **941108**



Vertical cast holder support **941112**

## Cast Stems

- 175mm **941134**
- 250mm **941135**
- 325mm **941136**
- 400mm **941137**  
(threaded)



Cast support taper **941110**  
Cast support taper for  
plaster bench (not shown) **941218**

## Socket Tools



Align mandrel for  
polypropylene container **941113**



Cast build up former  
dummy knee **941109**  
Small dummy knee **941167**  
(used with former 940637)



Children's cast build up  
former, dummy knee large/small  
(use with formers 940665 and 940666) **940671**

## Drape Tables



Vacuum bench **941503**  
(includes 941129 drape table small  
and 941131 drape table large)  
Vacuum pump **941801**  
Foot operated switch  
for vacuum bench **941706**



Small (TT and TF) **941129**  
Large (TF and hip disartic') **941131**  
Drape table (hip disartic') **941183**



Stem for drape tables **941133**

## Drape Formers



Trans-femoral **940636**  
Small trans-femoral **940637**

## Drape Former and Spigots



Small, trans-tibial **940638**  
(reducing alignment) -  
Large TT **940647**  
Children's small TT and TF **940665**  
Children's large TT and TF **940666**

# Tools

## Valve Formers



Teufel valve assembly tool **940021**



Teufel boss former **940635**

## Socket Former Kits



O rings for 940661 **924146**  
For laminated sockets **940661**  
(all formers)

Standard trans-femoral **940673**

Standard trans-tibial **940675**

Small trans-tibial **940676**

Standard trans-tibial **940675**

Ankle disarticulation **940678**

Children's for laminated **940672**

sockets all formers

Children's large trans-femoral **940679**

and large trans-tibial

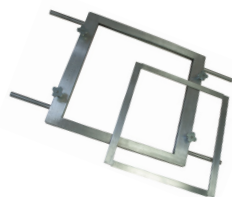
Children's small trans-femoral **940680**

and standard trans-tibial



Vacuum post for laminating **941158**

## Drape Frames



342mm sq., blank **941114**

305mm sq., blank **941117**

406mm sq., blank **941118**

420 x 460mm, blank **941119**

Spacer (use with 941114) **941174**

Spacer (use with 941117) **941175**

Spacer (use with 941118) **941176**

Spacer (use with 941119) **941177**

## Drape Ovens



250 volts, 50Hz **941500**  
110 volts, 60Hz **941502**



Timer, digital countdown **940320**



Hot air welding gun **940311**



Replacement blades **940571**  
for hot knife



Socket end trimming cutter **940407**

Replacement blade set **940414**

Blade setting block **940642**

## Hole Cutters



27mm dia. **940582**

30mm dia. **940583**

25mm dia. **940584**

46mm dia. **940585**

19mm dia. **940586**

## Cutting Tools

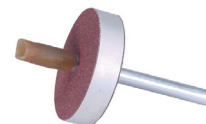


12mm dia. **940403**  
21mm dia. **940404**

## Flap Brushes



Fine **937025**  
Medium **937026**



Flattening cutter **940408**



Routing cutter, cylindrical **940817**  
ball nose

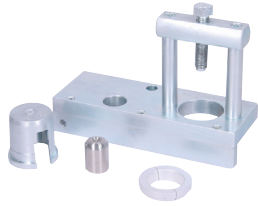
## Jigs



Mandrel support - **941120**  
side assembly

## Tools

## General Tools



- Multiflex ankle assembly jig **941125**  
 Replacement cup **941170**  
 Replacement pot housing **941215**  
 Replacement bridge and screw set **941182**  
 Replacement split collet **941169**



- Pot housing for pyramid ankles (as shown) **941239**  
 (kit) Adapter for 125kg Multiflex ankles both for use with 941125 **941241**



- Ankle socket wrench **940022**



- Multiflex ankle extractor cup, universal **941214**  
 Snubber assembly tool **940083**



- Multiflex ankle snubber assembly tool **941127**

## Foot Spanners



- 9/16" AF socket (inc. tommy bar) **940023**  
 5/16" AF driver (inc. tommy bar) as shown **940079**



- Circlip pliers, ankle **940327**

## Cutting Jigs



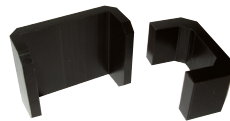
- 30mm dia. tube Linx pylon cutting jig **941237**  
 Children's 25mm dia. tube **941257**  
**941238**



- Dummy pin for Stanceflex strap **940049**



- Location pin, trans-femoral for SFESK **940050**  
 Dummy roll pins **940049**  
 Dummy pin - KX06 cylind **940084**  
 T20 Torx 3/8" drive bit **940274**



- Rear link clamp **941250**  
 Body clamp **941251**  
 Both, for KX06 **941252**  
 KX06 cylinder exchange tool kit **941254**



- Elite blade and javelin cutting/drill and fitting jig **941255**



- VT cutting/drill and fitting jig **941256**

## Miscellaneous Tools



- 2mm AF, 940250 2.5mm AF **940248**



- 2.5mm AF Hex Driver for ESK+ adjustment **940088**



- Nut spinner 5.5mm (7/32") AF **940272**



- Peg spanner, pivot pins (2 required) **940054**



- Peg spanner, ankle disarticulation **940060**

## Combination Spanner



- Spanner, 6 x 6mm AF, PSPC **940270**



- 10mm AF **940261**  
 13mm AF **940273**  
 Alignment (single bolt) **940012**

Please contact Customer Services for the lead-times on these items.



# Tools

## Drills



6mm dia.  
4.2mm dia.  
9mm dia.

940514  
940516  
940519

## Hex Key



1.5mm AF  
2mm AF  
2.5mm AF  
3mm AF  
4mm AF  
4mm AF (Elite foot)  
5mm AF  
6mm AF  
8mm AF  
5/16" AF

940232  
940233  
940234  
940235  
940236  
940080  
940237  
940238  
940239  
940211



Valve spanner (for valves  
099132/4/5)

940047



TT locking ring spanner

940070



Hydraulic knee  
control spanner

940091

## Torque Wrench



Torque wrench and  
adapter kit  940057  
Torque wrench 940056  
Extension ring spanner 940058  
Extension bar 3/8" sq, 940296  
Hex. socket 9/16" AF 940226  
Hex. socket 5/16" 940229  
sq. socket 940230  
Screwdriver socket 5/16" 940230  
sq. socket 940266  
Screwdriver socket 5mm AF 940266  
Screwdriver socket 6mm AF 940267  
Screwdriver socket 4mm AF 940271  
Torque spanner adapter 940081  
for Elite foot type heel (not shown)



Torque wrench 940056

## Personal Protection

### Hands



Heavy duty gloves,  
terry cloth 939000  
Rubber Gloves:  
Gauntlet, size 9 939001  
Gauntlet, size 10 939002  
Medium 939004  
Large 939005  
Disposable gloves, large 939007  
Oven gloves, (Kevlar)  
gauntlet, lined 939009  
Gloves, black 939042  
heavyweight, medium  
Gloves, cotton 939050

## Eyes



Safety glasses, blue 939073  
Goggle, chemical 939014  
Panoramette  
Replacement lens 939016  
for 939014  
Spectacles, safety 939072  
BS2092/1

## Ears



Earmuff - liquid filled 939030  
E.A.R. model 200 caps 939032  
E.A.R. cabocord foam  
ear plugs 939031

## Respiration




Safety mask, disposable 939019

## Clothing



Apron, green polythene,  
50cm long, 100 per roll 939060

 Please contact Customer Services  
for the lead-times on these items.

# AFT Workshop Equipment

AFT is a long-established provider of rehabilitation equipment and machinery. Their product offering includes a comprehensive range of workshop, plaster room and clinic equipment that is excellent quality and competitively priced.

To explore the full AFT Catalogue go to <http://www.aft-international.de/en/katalog-01.html>.

For more information or to place an order, please contact your Education and Training Representative or Blatchford Customer Services on +44 (0) 114 263 7900.

**These products are available through Blatchford in the UK only.** The full AFT product range is vast but here are a few examples of the kinds of products that are available through Blatchford in the UK.

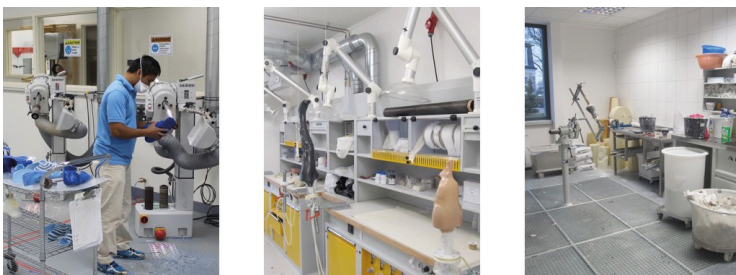
## Clinic Equipment



## Ovens



## Routing, Lamination, Plaster Room and Extraction



## Workshop Equipment



## Workshop Design, Planning and Equipping

In partnership with AFT, Blatchford will also offer a complete design and installation service for new or refurbished areas in addition to providing service packages to support equipment once installed.







	Page		Page		Page
<b>Integrated Limb System</b>				<b>Liners</b>	
Linx	12,13	Swing and Stance Cylinder for KX06	92	Silcare Breathe Liner - Cushion	116
<b>Knees</b>		Swing and Stance Cylinder for Mercury Knee	92	Silcare Breathe Liner - Locking	117
Aqualimb TF	34,35	Swing Cylinder for KX06	92	Endolite Comfort Liner - Cushion	117
Compact SAKL	32,33	Swing Cylinder for Mercury Knee	92	Endolite Comfort Liner - Locking	118
ESK+	24,25	Swing Cylinder for SmartIP	92	Parasil Liner	118
ESK+ MKL	26,27	<b>Adapters</b>		3D Knitted Sleeve	119
KX06	20, 21	4-bolt adapter kit TF -		TT Suspension	119
Mercury	22,23	Endolite chassis to 4-bolt	96	<b>Cosmesis</b>	
Orion3	16,17	Cup & Strut kit TF- Endolite dome	97	Ankle Fairings	122
S200	28	Cup & Strut kit TF- full alignment	97	Demountable Knee Fairings	123
S400	29	Full alignment kit TF - Short Knee	96	Discontinuous	125
S500	30	Full alignment kit TF -		HD Fabric covers	126
SmartIP	18,19	4-bolt ESK+ and Mercury	96	Junior Fairings	124
		Full alignment kit TF - Endolite dome	96	Mercury Discontinuous	125
<b>Feet &amp; Ankles</b>		Full alignment kit TF - KX06	96	Non-Definitive TT	125
Aqualimb TT	76,77	Full alignment kit TT - Endolite dome	96	Orion3 Knee Fairing	125
Avalon <sup>K2</sup>	62,63	KX06 adapter kit	96	RPVC - TT	127
BladeXT	58,59	M36 Adapter	96	RPVC/Rsi	127
Echelon	44,45	Non-rotating male pyramid adapter	96	RSi - TF	127
EchelonVAC	40,41	Pyramid 4-bolt	96	Stockings	126
EchelonVT	42,43	Pyramid female - Endolite dome	96	TF Fabric covers	126
Elan	38,39	Pyramid female - Endolite knee chassis	96	TF Thigh Fairing	123
Elite Blade	54,55	Pyramid female - sliding	96	TT Fabric covers	126
Elite BladeVT	56,57	Pyramid female - sliding & rotating	96	TT Fairings	122
Elite2	46,47	Pyramid female short -		Universal TT Fairing	122
EliteVT	48,49	Endolite knee chassis	96	Wheelchair cosmetic	124
Epirus	50,51	Pyramid male - Endolite dome	96	<b>Socket Technology</b>	
Esprit	52,53	Pyramid male - Endolite knee chassis	96	One shot Socket	128
Javelin	60,61	Pyramid male - sliding	96	Roehampton	130
Multiflex Slim	68,69	Pyramid male - sliding & rotating	96	Seaflex	129
Multiflex Special Edition	70,71	Pyramid male 4-bolt	96	Socket Liner	129
Multiflex Standard	66,67	TT lamination anchor	96	Socket Lock	128
Navigator	64,65	Turntable kit TF	96	Socket Materials	130
Senior	74,75	Wood adapter TF	96	Socket Valves	128
SuperSACH	72,73	<b>Tubes and Adapters</b>		Thermoplastic	129
<b>Junior</b>		Ankle disarticulation kit -		<b>Workshop Equipment</b>	
Child's 4-bar Knee	82,83	Endolite dome	104	Adhesives	132
Mini BladeXT	80,81	Blade top housing TT female -		Cast Equipment	133
Child's TT system	84	sliding & rotating	104	Cast Stems	133
Child's socket attachment	84	Brio	111	Cutting Jigs	135
Child's TF alignment kit	84	High strength pylon 30mm	104	Cutting Tools	134
Child's ankle disarticulation kit	84	High strength tube adapters	104	Drape Former and Spigots	133
Ankle clamp for Childsplay	84	Multiflex Ankle	109	Drape Formers	134
Pylon adapter for Childsplay	84	Multiflex Ankle/Seattle		Drape Frames	134
Child's SACH foot adapter	84	Lightfoot connector	104	Drape Ovens	134
Pylon adapter for SACH foot	84	Multiflex TT Kit	104	Drape Tables	133
TT upper housing	84	Pylon 30mm	104	Flap Brushes	134
M30 Child's Adaptor for 4 Bar Knee	84	Pylon adapter 30mm -full alignment	104	Foot Spanners	135
M30 4 Prong Laminate Adapter	84	Pylon adapters pyramid female	104	General Tools	135
Female Mini Pyramid Pylon	84	Top housing TT 30mm	104	Hole Cutters	134
		TTPro	113	Jigs	134
<b>Controls</b>		Tube clamp adapter pyramid		Misc. Tools	135
Cylinder fitting kit for KX06	93	female 30mm	104	Personal Protection	136
Fitting Kit for PSPC	93	Tube clamp double female/		Socket Former Kits	134
Fitting Kit for Smart IP	93	female adapter	104	Socket Tools	133
Fitting Kit for Mercury Knee	93	Tube clamp double female		Sundries	131
		/male adapter	104	Valve Formers	134

# Warranty Listing

Integrated Limb System	
Linx	36 months*
Knees	
Orion3	36 months*
SmartIP – all variants	36 months
KX06	36 months
Mercury – all variants	36 months
ESK+ - all variants, brake band 12 months only	24 months
Compact SAKL	24 months
Aqualimb TF	24 months
Child's 4-bar Knee	24 months
S200	24 months
S400	24 months
S500	24 months
Feet	
Elan	36 months*
BladeXT (excluding paintwork and sole cover)	12 months
Mini BladeXT (excluding paintwork and sole cover)	12 months
Elite BladeVT	36 months
Elite Blade	36 months
EliteVT	36 months
Elite2	36 months
EchelonVT	36 months
Echelon	36 months
EchelonVAC	36 months
Javelin	36 months
Epirus	36 months
Esprit	36 months
Navigator	24 months
AvalonK2	24 months
Multiflex - all variants	24 months
Super SACH	24 months
Senior	24 months
Aqualimb	24 months

Controls	
SmartIP	36 months
PSPC	24 months
Endolite Hydraulic Cylinders - all variants	36 months
Service Exchange Products	
Endolite units - all variants	12 months
SmartIP	18 months
Ankles, Adapters and Shins	
Multiflex Ankles	24 months
Ankle Snubbers	3 months
Brio30	24 months
All Adapters & Tubes	24 months
Shins	24 months
TT Pro – all variants	24 months
Liners and Sleeves	
Silcare Breathe Liners	6 months
Endolite Comfort Liners	6 months
Suspension Sleeves	1 month
Foot Shells and Cosmesis	
Foot Shell	12 months
Cosmetic Items (Fairings, Coverings, Kneeballs etc)	1 month
Glide Sock	3 months
Ancillary Products	
Tooling	12 months
Test Equipment	12 months
Ovens and Hot Air Guns	12 months
Proprietary items	Manufacturer's Warranty

See Blatchford website for current full warranty statement.

Warranty periods commence from the original date of shipment unless otherwise stated.

Note: Any warranty on repaired or replaced items is governed by the original date as the remaining warranty period from the original purchase must be maintained.

\* Extended warranty is available on request; contact your service provider.

# Global Warranty Statement

Chas. A. Blatchford & Sons Limited and Subsidiaries (Blatchford) warrants Endolite Prosthetic Products against defects in material and workmanship.

The warranty period applies from the original date of product shipment unless otherwise specified.

In the event that a defect is discovered during the warranty period, Blatchford will, at its discretion, either repair or replace the affected part with another part equivalent in basic function or refund the purchase price of the affected part only. The warranty of the repaired or replaced part is limited to the remaining warranty period from the original shipment date of the part.

The warranty coverage is limited to the cost of the original failed part and excludes all associated or related costs. For the sake of clarity, the phrase "all associated or related costs" includes but is not limited to associated parts, assembly and disassembly costs, transport costs, travel and handling costs and any form of compensation.

The warranty policy excludes failure resulting from misuse, accidental damage, neglect, wear and tear, unapproved component modifications, incorrect assembly and unless otherwise specified, immersion in water. Specific limitation of use as detailed in the documentation supplied with the product must be complied with.

Blatchford makes no other express warranty or condition, whether written or oral to the extent allowed by local law, any implied warranty or condition of merchantability, satisfactory quality, or fitness for a particular purpose is hereby disclaimed. Some countries/regions, states, or provinces do not allow limitations on the duration of an implied warranty, so the above disclaimer may not apply to you. This warranty gives you specific legal rights, and you may also have other rights that vary from country/region to country/region, state to state, or province to province.

To the extent allowed by local law, the remedies in this warranty statement are your sole and exclusive remedies. except as indicated above, in no event will Blatchford or its suppliers be liable for direct, special, incidental, consequential, or other damage, whether based in contract, tort, or otherwise. Some countries/regions, states, and provinces do not allow the exclusion of incidental or consequential damages, so the above limitations and exclusions may not apply to you.

If the product comes with a Warranty Registration Form then this must be completed and returned to the company for the warranty to be effective.

To qualify for warranty the Warranty Claim Form must be fully completed and supplied with the affected part.

To return any product, please contact our Customer Services department to inform of the reason for return and to request an ACS number for the return.

Please be aware our Warranty Statement is subject to change; in all cases our current Warranty Statement is published on our website.



# Notes



Follow Blatchford: | [blatchford.co.uk](http://blatchford.co.uk)  
@BlatchfordGrp | +44 (0) 1256 316600  
/BlatchfordGrp | [customer.service@blatchford.co.uk](mailto:customer.service@blatchford.co.uk)

Registered address, Chas A Blatchford & Sons Ltd, Unit D, Antura,  
Kingsland Business Park, Basingstoke, RG24 8PZ, United Kingdom.



An annual visual inspection is recommended. Check for visual defects that may affect proper function.  
Maintenance must be carried out by competent personnel.

936594 Iss18\_2 08/18. Information correct at time of print.

