



MODULAR PROSTHETIC COMPONENTS
2015/2016



See our new line of
Pediatric Components

1-888-886-2420
WWW.MEDEXINTERNATIONAL.COM



SACH FOOT ADAPTER

Connector between SACH Energy Storing Foot and pylon. Includes stainless steel M8-10 bolt, lock washer, and flat washer.

Steel M8 Bolt

Cat. No.	Alloy	Weight	Max Patient Weight
2T09	Titanium	80gr	100kg/220lbs

Steel M10 Bolt

Cat. No.	Alloy	Weight	Max Patient Weight
2T10	Titanium	93gr	136kg/300lbs
2S10	S. Steel	130gr	136kg/300lbs
2A10	Aluminum	106gr	136kg/300lbs



SACH FOOT ADAPTER (round)

Includes stainless steel M10 bolt, lock washer, and flat washer. Weight of the component includes stainless steel bolt and washers.

Cat. No.	Alloy	Weight	Max Patient Weight
2T11	Titanium	80gr	136kg/300lbs



RECEIVER - TUBE UNIT

Includes four set screws.

Cat. No.	Alloy	Weight	Max Patient Weight
2A12	Aluminum	90gr	100kg/220lbs
2T12	Titanium	313gr	136kg/300lbs

Warning: Do not shorten overall length to less than 55mm

EXTRA LONG TUBE WITH RECEIVER

With 4 tilt adjustment set screws and 30mm anodized aluminum alloy tube (450 x 30 x 2.35mm).

Cat. No.	Alloy	Weight	Max Patient Weight
2T17	Titanium	343gr	136kg/300lbs
2S17	S. Steel	385gr	136kg/300lbs

LONG TUBE WITH RECEIVER

With 4 tilt adjustment set screws and 30mm anodized aluminum alloy tube (400 x 30 x 2.35mm).

Cat. No.	Alloy	Weight	Max Patient Weight
2T15	Titanium	308gr	136kg/300lbs
2S15	S. Steel	351gr	136kg/300lbs
2A15	Aluminum	308gr	100kg/220lbs

SHORT TUBE WITH RECEIVER

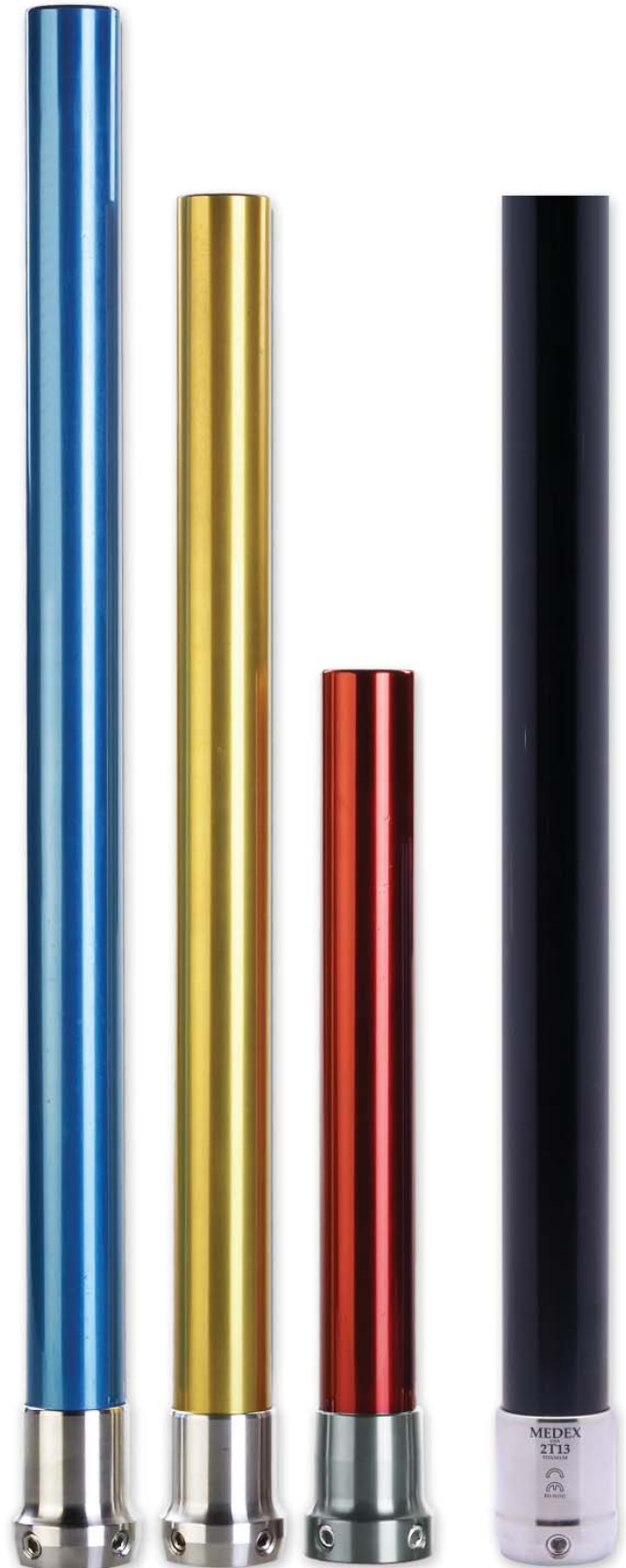
With 4 tilt adjustment set screws and 30mm anodized aluminum alloy tube (250 x 30 x 2.35mm).

Cat. No.	Alloy	Weight	Max Patient Weight
2T16	Titanium	218gr	136kg/300lbs
2S16	S. Steel	261gr	136kg/300lbs
2A16	Aluminum	218gr	100kg/220lbs

HEAVY DUTY TUBE WITH RECEIVER

Rated for patients up to 450 lbs. With 4 tilt adjustment set screws and 34mm aluminum alloy tube (400 x 34 x 2.35mm).

Cat. No.	Alloy	Weight	Max Patient Weight
2T13	Titanium	334gr	205kg/450lbs





LONG TUBE WITH PYRAMID

30mm anodized aluminum alloy tube with pyramid (400 x 30 x 2.35mm).

Cat. No.	Alloy	Weight	Max Patient Weight
2T14	Titanium	300gr	136kg/300lbs

SINGLE PYLON NO ADAPTER

400 x 30 x 2.35mm

Cat. No.	Alloy	Weight	Max Patient Weight
2A18	Aluminum	242gr	136kg/300lbs



TUBE CLAMP ADAPTER

For 30mm tubes. Includes 1 rotation and 4 tilt adjustment set screws.

Cat. No.	Alloy	Weight	Max Patient Weight
2T20	Titanium	70gr	136kg/300lbs
2S20	S. Steel	113gr	136kg/300lbs
2A20	Aluminum	68gr	100kg/220lbs



TUBE CLAMP ADAPTER (10° ANGLE)

For 30mm tubes. Includes 1 rotation and 4 tilt adjustment set screws.

Cat. No.	Alloy	Weight	Max Patient Weight
2T22	Titanium	78gr	136kg/300lbs



ARCHED SLIDING TUBE CLAMP WITH THREADED ROTATION

Tube clamp with 36mm threads. Arched dovetail design offers adjustable angles, increasing lateral offset capability based on the pylon length. For use with 4 hole frame (3T90) or 3 arm lamination anchor (4S35).

Cat. No.	Alloy	Weight	Max Patient Weight
4T55	Titanium	125gr	136kg/300lbs

HEAVY DUTY TUBE CLAMP RECEIVER

Rated for patients up to 450 lbs. For 34mm tube. Includes 4 tilt adjustment screws and rotation set screw.



Cat. No.	Alloy	Weight	Max Patient Weight
2T23	Titanium	75gr	205kg/450lbs

SLIDING TUBE CLAMP RECEIVER

Tube clamp adapter on one end and pyramid receiver on the other. Slides in either direction allowing for custom lateral offset with 2 locking screws.

Cat. No.	Alloy	Weight	Max Patient Weight
3T85	Titanium	149gr	136kg/300lbs

Arched dovetail design offers adjustable angles, increasing lateral offset capability based on the pylon length. Use when more than 11mm lateral offset is needed.

Cat. No.	Alloy	Weight	Max Patient Weight
3T87	Titanium	149gr	136kg/300lbs

Patent Pending



SLIDING TUBE CLAMP PYRAMID

Tube clamp adapter on one end and pyramid on the other. Slides in either direction allowing for custom lateral offset with 2 locking screws.

Cat. No.	Alloy	Weight	Max Patient Weight
3T86	Titanium	158gr	136kg/300lbs

Arched dovetail design offers adjustable angles, increasing lateral offset capability based on the pylon length. Use when more than 11mm lateral offset is needed.

Cat. No.	Alloy	Weight	Max Patient Weight
3T88	Titanium	158gr	136kg/300lbs

Patent Pending





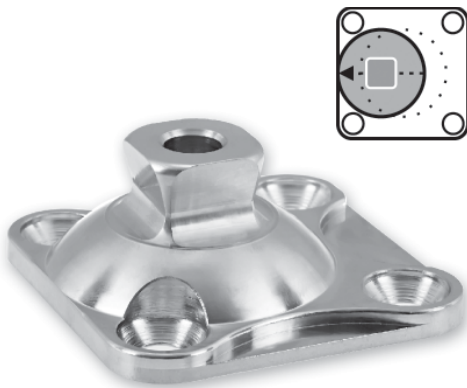
PYRAMID WITH 4 HOLES

Connector between socket and pylon, 8.2mm center hole.

Cat. No.	Alloy	Weight	Max Patient Weight
3T10	Titanium	50gr	136kg/300lbs
3S10	S. Steel	84gr	136kg/300lbs
3A10	Aluminum	51gr	100kg/220lbs

Connector between socket and pylon. 10mm center hole.

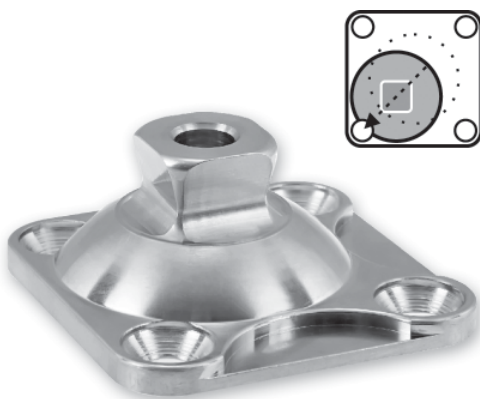
Cat. No.	Alloy	Weight	Max Patient Weight
3T09	Titanium	46gr	136kg/300lbs



PYRAMID WITH 4 HOLES & AXIAL OFFSET

Connector between socket and pylon with pyramid set 8mm off from axis, 8.2mm center hole.

Cat. No.	Alloy	Weight	Max Patient Weight
3T11	Titanium	60gr	136kg/300lbs
3S11	S. Steel	108gr	136kg/300lbs



PYRAMID WITH 4 HOLES & DIAGONAL OFFSET

Connector between socket and pylon with pyramid set 5mm off from axis, 8.2mm center hole.

Cat. No.	Alloy	Weight	Max Patient Weight
3T12	Titanium	60gr	136kg/300lbs
3S12	S. Steel	108gr	136kg/300lbs

PYRAMID ADAPTER WITH 4 HOLES

Socket to pylon connector with threaded rotation.
Eliminates the use of pressure plates and sets rotation with one screw. Center pin hole diameter is 8.2mm.



Cat. No.	Alloy	Weight	Max Patient Weight
3T18	Titanium	71gr	136kg /300lbs
3S18	S. Steel	124gr	136kg /300lbs
3A18	Aluminum	99gr	100kg /220lbs

Center hole 10mm.

Cat. No.	Alloy	Weight	Max Patient Weight
3T19	Titanium	71gr	136kg /300lbs

RECEIVER WITH 4 HOLES

Connector between socket and pylon.

Cat. No.	Alloy	Weight	Max Patient Weight
3T20	Titanium	65gr	136kg /300lbs
3S20	S. Steel	102gr	136kg /300lbs
3A20	Aluminum	40gr	100kg /220lbs



ROTATABLE RECEIVER WITH 4 HOLES

Rotatable connector between socket and pylon.
Threaded rotation allows rotation set with one screw.



Cat. No.	Alloy	Weight	Max Patient Weight
3T23	Titanium	80gr	136kg /450lbs
3S23	S. Steel	130gr	136kg /450lbs
3A23	Aluminum	74gr	100kg /220lbs



ROTATABLE SLIDING PYRAMID WITH 4 HOLES

Pyramid on one end and 4 hole frame (3T90) on the other. Slides in either direction allowing for custom lateral offset with 2 locking screws.

Cat. No.	Alloy	Weight	Max Patient Weight
3T30	Titanium	154gr	136kg/300lbs

Arched dovetail design offers adjustable angles, increasing lateral offset capability based on the pylon length. Use when more than 11mm lateral offset is needed.

Cat. No.	Alloy	Weight	Max Patient Weight
3T31	Titanium	154gr	136kg/300lbs



ROTATABLE SLIDING RECEIVER WITH 4 HOLES

Pyramid receiver on one end and 4 hole frame (3T90) on the other. Slides in either direction allowing for custom lateral offset with 2 locking screws.

Cat. No.	Alloy	Weight	Max Patient Weight
3T35	Titanium	152gr	136kg/300lbs

Arched dovetail design offers adjustable angles, increasing lateral offset capability based on the pylon length. Use when more than 11mm lateral offset is needed.

Cat. No.	Alloy	Weight	Max Patient Weight
3T36	Titanium	152gr	136kg/300lbs



PYRAMID WITH 4 PRONGS

Connector between socket and pylon lamination. Rough machined prongs for improved lamination bonding. Includes rubber lamination dummy (not included in weight) 6.2mm center hole.

Cat. No.	Alloy	Weight	Max Patient Weight
3T13	Titanium	62gr	136kg/300lbs
3T14	Titanium	52gr	136kg/300lbs
3S14	S. Steel	107gr	136kg/300lbs
3A14	Aluminum	52gr	100kg/220lbs

ROTATING PYRAMID WITH 4 PRONGS

A problem solver for situations where there is limited space due to stump length or high profile foot, these 4 prong lamination adapters allow for axial rotation adjustment. 8.2mm center hole.

Cat. No.	Alloy	Weight	Max Patient Weight
3T15	Titanium	92gr	136kg/300lbs
3S15	S. Steel	124gr	136kg/300lbs

Patent Pending



4 SCREW PYRAMID WITH 4 PRONGS

Ideal for long stumps. Includes 4 stainless steel angular adjustment screws (flat head).

Cat. No.	Alloy	Weight	Max Patient Weight
3T17	Titanium	56gr	136kg/300lbs
3S17	S. Steel	92gr	136kg/300lbs



ROTATING RECEIVER WITH 4 PRONGS

A problem solver for situations where there is limited space due to stump length or high profile foot, these 4 prong lamination adapters allow for axial rotation adjustments.

Cat. No.	Alloy	Weight	Max Patient Weight
3T16	Titanium	101gr	136kg /300lbs

Patent Pending





DOUBLE HEAD PYRAMID

Connector between receivers.

Cat. No.	Alloy	Weight	Max Patient Weight
3T70	Titanium	60gr	136kg /300lbs
3S70	S. Steel	109gr	136kg /300lbs



DOUBLE HEAD RECEIVER AND PYRAMID

For connection between a pyramid and receiver with adjustment screws. Allows changing the angles at the distal and proximal ends.

Cat. No.	Alloy	Weight	Max Patient Weight
3T60	Titanium	76gr	136kg/300lbs
3S60	S. Steel	124gr	136kg/300lbs

DOUBLE HEAD RECEIVER

Connector between two pyramid adapters. Includes 8 stainless steel angular adjustment screws. Allows better adjustment for long stumps and reduces weight.



Cat. No.	Height	Alloy	Weight	Max Patient Weight
3T50	32mm	Titanium	88gr	136kg/300lbs
3T51	45mm	Titanium	98gr	136kg/300lbs
3T52	60mm	Titanium	110gr	136kg/300lbs
3T53	75mm	Titanium	120gr	136kg/300lbs
3S50	32mm	S. Steel	135gr	136kg/300lbs
3S51	45mm	S. Steel	156gr	136kg/300lbs
3S52	60mm	S. Steel	179gr	136kg/300lbs
3S53	75mm	S. Steel	197gr	136kg/300lbs
3A50	32mm	Aluminum	65gr	100kg/220lbs
3A51	45mm	Aluminum	80gr	100kg/220lbs
3A52	60mm	Aluminum	94gr	100kg/220lbs
3A53	75mm	Aluminum	112gr	100kg/220lbs

DOAN'S DOUBLE HEAD ROTATABLE RECEIVER

Created for use when distance is a problem and conventional double head adapters do not solve issues requiring rotation of components. To modify the angle of the socket and pylon, this double-head receiver rotates to make final adjustments for correct toe out and knee directions. Easy-access set screws lock the adapter at desired position.

Cat. No.	Alloy	Weight	Max Patient Weight	Height
3T54	Titanium	114gr	136kg/300lbs	34mm
3T55	Titanium	129gr	136kg/300lbs	42mm
3T56	Titanium	143gr	136kg/300lbs	53mm
3T57	Titanium	156gr	136kg/300lbs	66mm

Patent Pending



DOUBLE HEAD ROTATABLE RECEIVER & PYRAMID

Offering a pyramid on one end and receiver on the other. Used for minimal stump to floor distances, this adapter rotates for final socket adjustment on the pylon to correct toe out and knee directions. Safety locked at desired position using easy-access rotation set screws.

Cat. No.	Alloy	Weight	Max Patient Weight	Height
3T61	Titanium	117gr	136kg/300lbs	42mm
3T63	Titanium	104gr	136kg/300lbs	34mm

Patent Pending





DOUBLE HEAD ROTATABLE ADAPTER WITH HEIGHT ADJUSTMENT

With an overall height in the shortest position at 50mm, This adapter allows the practitioner to set a custom height.

Cat. No.	Alloy	Weight	Max Patient Weight	Height
3T65	Titanium	158gr	136kg/300lbs	51-57mm
3T66	Titanium	172gr	136kg/300lbs	58-64mm

Patent Pending



DOUBLE HEAD ROTATABLE SLIDING RECEIVER

Both end pyramid receiver with slide and rotation and an overall height of 53mm. Slides in either direction allowing for custom lateral offset with 2 locking screws.

Cat. No.	Alloy	Weight	Max Patient Weight	Height
3T82	Titanium	192gr	136kg/300lbs	52mm

Arched dovetail design (3T95) offers adjustable angles, increasing lateral offset capability based on the pylon length. Use when more than 11mm lateral offset is needed.

Cat. No.	Alloy	Weight	Max Patient Weight	Height
3T95	Titanium	192gr	136kg/300lbs	55mm

Patent Pending



DOUBLE HEAD ROTATABLE PYRAMID RECEIVER

Rotatable pyramid on one end and receiver on the other with an overall height of 53mm. Slides in either direction allowing for custom lateral offset with 2 locking screws.

Cat. No.	Alloy	Weight	Max Patient Weight	Height
3T83	Titanium	193gr	136kg/300lbs	47mm

Arched dovetail design (3T96) offers adjustable angles, increasing lateral offset capability based on the pylon length. Use when more than 11mm lateral offset is needed.

Cat. No.	Alloy	Weight	Max Patient Weight	Height
3T96	Titanium	193gr	136kg/300lbs	48mm

Patent Pending

DOUBLE HEAD SLIDING RECEIVER

Both end receiver. Slides in either direction, allowing for custom lateral offset.

Cat. No.	Alloy	Weight	Max Patient Weight
3T80	Titanium	157gr	136kg/300lbs

Arched dovetail design (3T98) provides adjustable angles, increasing lateral offset capability based on the pylon length. Use when more than 11mm lateral offset is needed. Overall height 44mm.

Cat. No.	Alloy	Weight	Max Patient Weight
3T98	Titanium	157gr	136kg/300lbs

Patent Pending



DOUBLE HEAD SLIDING RECEIVER & PYRAMID

Pyramid on one end and receiver on the other. Slides in either direction allowing for custom lateral offset with 2 locking screws.

Cat. No.	Alloy	Weight	Max Patient Weight
3T81	Titanium	157gr	136kg/300lbs

Arched dovetail design (3T99) offers adjustable angles, increasing lateral offset capability based on the pylon length. Overall height of 37mm.

Cat. No.	Alloy	Weight	Max Patient Weight
3T99	Titanium	157gr	136kg/300lbs

Patent Pending



3 ARM A/K LAMINATION ANCHOR WITH PYRAMID

For both A/K exoskeletal socket or thermoplastic frame lamination.

Cat. No.	Alloy	Weight	Max Patient Weight
4S20	S. Steel	125gr	136kg /300lbs





3 ARM A/K LAMINATION ANCHOR WITH ROTATABLE RECEIVER

For both A/K exoskeletal socket or thermoplastic frame lamination.

Cat. No.	Alloy	Weight	Max Patient Weight
4S30	S. Steel	184gr	136kg/300lbs
4ST6	Titanium Head	160gr	136kg/300lbs



3 ARM A/K LAMINATION ANCHOR WITH ROTATABLE PYRAMID

For both A/K exoskeletal socket or thermoplastic frame lamination.

Cat. No.	Alloy	Weight	Max Patient Weight
4S40	S. Steel	175gr	136kg/300lbs
4ST8	Titanium Head	150gr	136kg/300lbs



3 ARM A/K LAMINATION ANCHOR WITH ROTATABLE SLIDING RECEIVER

With sliding and rotating titanium 4 screw receiver tip. Maximum slide of 11mm either direction.

Cat. No.	Alloy	Weight	Max Patient Weight
4T31	Titanium SS	228gr	136kg/300lbs

3 ARM A/K LAMINATION ANCHOR WITH ROTATABLE SLIDING PYRAMID

With sliding and rotating titanium pyramid tip. Maximum slide of 11mm either direction.

Cat. No.	Alloy	Weight	Max Patient Weight
4T41	Titanium SS	229gr	136kg/300lbs



LAMINATION PLATE WITH PYRAMID

Conventional lamination plate combined with a permanently installed pyramid adapter. There are no rotation or slide options. Use when space is critical. Smaller diameter plates work best for pointy stumps.

Cat. No.	Alloy	Weight	OD	Max Patient Weight
4TL1	AL-Ti	95gr	65mm	136kg/300lbs
4TM1	AL-Ti	77gr	55mm	136kg/300lbs
4TS1	AL-Ti	62gr	45mm	136kg/300lbs



LAMINATION PLATE WITH RECEIVER

Conventional lamination plate combined with a permanently installed pyramid receiver. There are no rotation or slide options. Use when space is critical. Smaller diameter plates work best for pointy stumps.

Cat. No.	Alloy	Weight	OD	Max Patient Weight
4TL2	AL-Ti	104gr	65mm	136kg/300lbs
4TM2	AL-Ti	86gr	55mm	136kg/300lbs
4TS2	AL-Ti	72gr	45mm	136kg/300lbs





4 SCREW MOUNTING SHUTTLE LOCK

Ideal in situations where space is very critical for pylon height. Aluminum body with titanium pyramid, adjustable release button. Locking mechanism is placed inside the pyramid dome. Build height is 29mm and the weight includes pin, inner retainer and pyramid as a set.

Cat. No.	Alloy	Weight	Max Patient Weight
4A25	Aluminum	99gr	100kg/220lbs

Patent Pending

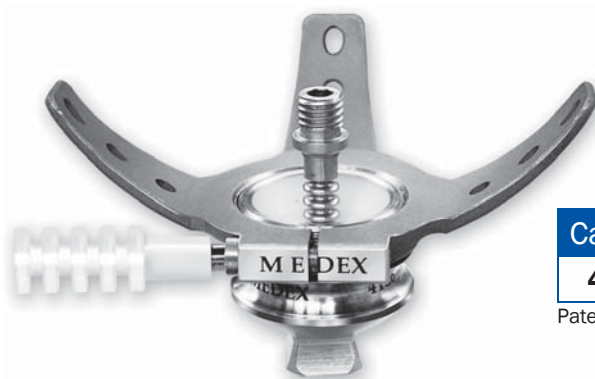


4 PRONG COMBINATION SHUTTLE LOCK

Unique design combines many features needed for B/K and light-weight A/K cases. It eliminates the need for an inner socket retainer block, saves space on the length of the pylon and enables rotation adjustment. Dummy (included) makes for easy lamination. Product weights include pin and all other features except dummy.

Cat. No.	Alloy	Weight	Max Patient Weight	Height
4T28	Titanium	147gr	136kg/300lbs	38mm

Patent Pending



SCREW THREAD SHUTTLE LOCK

For A/K or heavy use B/K situations, these shuttle locks are mounted on 3 arm stainless steel lamination anchors. The product weights listed include the anchor and pin, while the shuttle locks themselves are approximately 85/90gr.

Cat. No.	Alloy	Weight	Max Patient Weight	Height
4T26	Titanium	220gr	136kg/300lbs	27mm

Patent Pending

4 SCREW MOUNTING SHUTTLE LOCK

Ideal in situations where space is very critical for pylon height. Includes titanium body with titanium pyramid, adjustable release button and 4 hole frame with threaded rotation. Locking mechanism is placed inside the pyramid dome reducing build height to 32mm. Weight includes pin, inner retainer and pyramid as a set. 4T27 comes with aluminum lamination pin guide, eliminating the need for a dummy.



Cat. No.	Alloy	Weight	Max Patient Weight
4T25	Titanium	184gr	136kg/300lbs

Patent Pending

RIM System allows the practitioner to convert from pyramid to receiver or from receiver to shuttle lock immediately and with ease. This new socket lamination technology is lightweight, durable, versatile and extremely practical. Lamination RIM includes 3 dummy screws that are replaced with M8x12 or M8x6 set screws after the lamination process. Set screws will fasten the pyramid, pyramid receiver or the shuttle lock to the RIM while providing 360-degree rotation. RIM System's large opening offers easy access to the distal end of the socket and provides better discharge of dust and debris to improve visibility during the fabrication process.



LAMINATION RIM WITH ROTATABLE PYRAMID

4AT3 70mm RIM with Rotatable Pyramid. Includes 3 lamination dummy screws and 3 M8x12 stainless steel set screws.

4AT4 63mm RIM with Rotatable Pyramid. Includes 3 lamination dummy screws and 3 M8x6 stainless steel set screws. 63mm RIM will help the distal end of the socket to form better around thin stumps allowing a better formed socket shape.

Cat. No.	OD Size	Weight	Max Patient Weight
4AT3	70mm	122gr	136kg/300lbs
4AT4	63mm	93gr	136kg/300lbs

Patent Pending





LAMINATION RIM WITH ROTATABLE SLIDING PYRAMID

4AT5 70mm RIM and Rotatable Pyramid with Slide. Includes 3 lamination dummy screws and 3 M8x12 stainless steel set screws.

4AT6 63mm RIM and Rotatable Pyramid with Slide. Includes 3 lamination dummy screws and 3 M8x6 stainless steel set screws.

Cat. No.	OD Size	Weight	Max Patient Weight
4AT5	70mm	197gr	136kg/300lbs
4AT6	63mm	183gr	136kg/300lbs

Patent Pending



LAMINATION RIM WITH ROTATABLE RECEIVER

4AT1 70mm RIM with Rotatable Pyramid Receiver. Includes 3 lamination dummy screws 4 M8x12 and 3 M8x12 stainless steel set screws.

4AT2 63mm RIM with Rotatable Pyramid Receiver. Includes 3 lamination dummy screws 4 M8x12 and 3 M8x6 stainless steel set screws.

Cat. No.	OD Size	Weight	Max Patient Weight
4AT1	70mm	117gr	136kg/300lbs
4AT2	63mm	99gr	136kg/300lbs

Patent Pending



LAMINATION RIM WITH ROTATABLE SLIDING RECEIVER

4AT7 70mm RIM and Rotatable Pyramid Receiver with Slide. Includes 3 lamination dummy screws 4 M8x12 and 3 M8x12 stainless steel set screws.

4AT8 63mm RIM and Rotatable Pyramid Receiver with Slide. Includes 3 lamination dummy screws 4 M8x12 and 3 M8X6 stainless steel set screws.

Cat. No.	OD Size	Weight	Max Patient Weight
4AT7	70mm	196gr	136kg/300lbs
4AT8	63mm	178gr	136kg/300lbs

Patent Pending

RIM SYSTEM SHUTTLE LOCKS

RIM System allows the Shuttle Lock to be installed inside the pyramid dome, thus reducing the build height significantly and cancelling the need for lamination dummy. Available in 70mm and 63mm RIM radius. RIM is constructed with aerospace grade aluminum with stainless steel rotation set screws while the pyramid dome and head is constructed of titanium. Shuttle lock inside the pyramid shell is Delrin thermoplastic with stainless steel catch and springs. Plastic push button can be cut to desired length or removed completely. 8mm pin is included.



Cat. No.	Radius	Weight	Max Patient Weight
4T20	70mm	200gr	136kg/300lbs
4T21	63mm	181gr	136kg/300lbs

Patent Pending

MODULAR SINGLE AXIS KNEE JOINT

With stance control, constant friction and extension assist

For above knee amputees. Connection of the upper joint to the swing axis and connection of the lower joint to the knee axis creates a functional load dependent brake. Recommended for amputees with lower and moderate functional levels. Includes extension assist cable, compression springs, distal anchor shell, and adjustment ring.

Cat. No.	Alloy	Weight	Max Patient Weight
5T40	Titanium	349gr	100kg/220lbs
5S40	S. Steel	525gr	100kg/220lbs

With lock and internal extension assist

For above knee amputees. Upper and lower joints are connected through the knee axis by a bushing. The adjustable lock secures the knee in extension and the lock is released using the cable. Internal spring extension assist provides automatic locking of the knee at full extension. It helps control swing phase and has a high stance stability. Recommended for amputees with lower functional levels.

Cat. No.	Alloy	Weight	Max Patient Weight
5T50	Titanium	385r	100kg/220lbs
5S50	S. Steel	525gr	100kg/220lbs





ROTATING PYRAMID TIP

Pyramid insert with 36mm threads.

Cat. No.	Alloy	Weight	Max Patient Weight
4T09	Titanium	38gr	136kg/300lbs Standard
4T10	Titanium	44gr	136kg/300lbs 2mm Longer
4T11	Titanium	48gr	136kg/300lbs 4mm Longer



ROTATING RECEIVER TIP

4 screw receiver insert with 36mm threads.

Cat. No.	Alloy	Weight	Max Patient Weight
4T08	Titanium	48gr	136kg/300lbs



ROTATABLE SLIDING PYRAMID TIP

Pyramid on one end and 36mm threads on the other. Slides in either direction allowing for custom lateral offset with 2 locking screws.

Cat. No.	Alloy	Weight	Max Patient Weight
4T14	Titanium	122gr	136kg/300lbs

Arched dovetail design (4T50) offers adjustable angles, increasing lateral offset capability based on the pylon length. For use with 4 hole frame (3T90) or 3 arm lamination anchor (4S35).

Cat. No.	Alloy	Weight	Max Patient Weight
4T50	Titanium	122gr	136kg/300lbs

Patent Pending



ROTATABLE SLIDING RECEIVER TIP

Receiver on one end and 36mm threads on the other. Slides in either direction allowing for custom lateral offset with 2 locking screws.

Cat. No.	Alloy	Weight	Max Patient Weight
4T15	Titanium	120gr	136kg/300lbs

Arched dovetail design (4T51) offers adjustable angles, increasing lateral offset capability based on the pylon length. For use with 4 hole frame (3T90) or 3 arm lamination anchor (4S35).

Cat. No.	Alloy	Weight	Max Patient Weight
4T51	Titanium	120gr	136kg/300lbs

4 HOLE ROTATING FRAME ONLY

An individual 4 hole rotation frame with clamp screw.

Cat. No.	Alloy	Weight	Max Patient Weight
3T90	Titanium	33gr	136kg/300lbs



3 ARM LAMINATION ANCHOR ONLY

An individual threaded anchor with clamp screw.

Cat. No.	Alloy	Weight	Max Patient Weight
4S35	S. Steel	109gr	136kg/300lbs



CONNECTOR PLATE

Cat. No.	Alloy	Weight	Max Patient Weight
4A80	Aluminum	70gr	136kg/300lbs



COUPLING

4A65 is a lamination connector coupling for conventional laminated sockets.

Cat. No.	Alloy	Weight	Max Patient Weight	Height
4A65	Aluminum	75gr	136kg/300lbs	24mm



COUPLING

4A70 is designed for use alongside shuttle lock pin slides. Includes four M6 screws, for use with 4 hole receiver or pyramid.

Cat. No.	Alloy	Weight	Max Patient Weight	Height
4A70	Aluminum	45gr	136kg/300lbs	17mm





CHILD SACH FOOT ADAPTER

Child sized connector between SACH Energy Storing Foot and pylon. Includes stainless steel bolt, lock washer, and flat washer.

Cat. No.	Alloy	Weight	Max Patient Weight
2CT5	Titanium	62g	80kg/175lbs



CHILD PYLON WITH RECEIVER

With 4 M6 tilt adjustment set screws and 22mm anodized aluminum alloy tube. (300 x 22 x 2mm).

Cat. No.	Alloy	Weight	Max Patient Weight
2CT6	Titanium	113gr	80kg/175lbs



CHILD TUBE CLAMP ADAPTER

For 22mm tubes. Includes 1 rotation and 4 M6 tilt adjustment set screws

Cat. No.	Alloy	Weight	Max Patient Weight
2CT7	Titanium	40g	80kg/175lbs



CHILD PYRAMID WITH 4 HOLES

Connector between socket and pylon, 6.5mm center hole.

Cat. No.	Alloy	Weight	Max Patient Weight
3CT5	Titanium	26gr	80kg/175lbs



CHILD SLIDING TUBE CLAMP PYRAMID

Child sized tube clamp adapter on one end and pyramid on the other. Slides in either direction allowing for custom lateral offset with 2 locking screws.

Cat. No.	Alloy	Weight	Max Patient Weight
4CT9	Titanium	93gr	80kg/175lbs

CHILD DOUBLE HEAD ROTATABLE RECEIVER

For use in situations when distance is a problem and conventional double head adapters do not solve issues requiring rotation of components. To modify the angle of the socket and pylon, this double-head receiver rotates to make final adjustments for correct toe out and knee directions. Easy-access set screws lock the adapter at the desired position. Includes 8 M6 tilt adjustment set screws.

Cat. No.	Alloy	Weight	Max Patient Weight	Height
3CT1	Titanium	69gr	80kg/175lbs	26mm
3CT2	Titanium	79gr	80kg/175lbs	37mm
3CT3	Titanium	88gr	80kg/175lbs	48mm
3CT4	Titanium	94gr	80kg/175lbs	60mm

Patent Pending



CHILD DOUBLE HEAD RECEIVER

Connector between two pyramid adapters. Includes 8 M6 stainless steel angular adjustment screws. Allows better adjustment for long stumps and reduces weight.

Cat. No.	Alloy	Weight	Height	Max Patient Weight
3CT6	Titanium	44gr	22mm	80kg/175lbs
3CT7	Titanium	51gr	32mm	80kg/175lbs
3CT8	Titanium	60gr	45mm	80kg/175lbs
3CT9	Titanium	70gr	60mm	80kg/175lbs



CHILD ROTATING PYRAMID WITH 4 HOLES

Socket to pylon connector with threaded rotation. Eliminates the use of pressure plates and sets rotation with one screw.

Cat. No.	Alloy	Weight	Max Patient Weight
3TC1	Titanium	44gr	80kg/175lbs





CHILD ROTATING RECEIVER WITH 4 HOLES

Child sized rotatable connector between socket and pylon. Threaded rotation allows rotation set with one screw.

Cat. No.	Alloy	Weight	Max Patient Weight
3TC2	Titanium	51gr	80kg/175lbs



CHILD DOUBLE HEAD ROTATABLE RECEIVER & PYRAMID

Offers a pyramid on one end and receiver on the other. Used for minimal stump to floor distances, this adapter rotates for final socket adjustment on the pylon to correct toe out and knee directions. Safety locked at desired position using 3 easy-access rotation set screws. Includes 4 M6 tilt adjustment set screws.

Cat. No.	Alloy	Weight	Max Patient Weight
4CT1	Titanium	66gr	80kg/175lbs
4CT2	Titanium	72gr	80kg/175lbs



CHILD DOUBLE HEAD ARCHED SLIDING RECEIVER

Double ended receiver. Arched dovetail design provides adjustable angles, increasing lateral offset capability based on the pylon length. Safety locked at desired position using 2 easy-access rotation set screws. Includes 8 M6 tilt adjustment set screws. Overall height 37mm.

Cat. No.	Alloy	Weight	Max Patient Weight
4CT7	Titanium	116gr	80kg/175lbs

Patent Pending



CHILD DOUBLE HEAD ARCHED SLIDING RECEIVER & PYRAMID

Pyramid on one end and receiver on the other. Arched dovetail design offers adjustable angles, increasing lateral offset capability based on the pylon length. Safety locked at desired position using 2 easy-access rotation set screws. Includes 4 M6 tilt adjustment set screws. Overall height 42mm.

Cat. No.	Alloy	Weight	Max Patient Weight
4CT8	Titanium	121gr	80kg/175lbs

CHILD 3 ARM LAMINATION ANCHOR WITH ROTATABLE RECEIVER

For both A / K Exoskeletal Socket or Thermoplastic frame lamination.

Cat. No.	Alloy	Weight	Max Patient Weight
4TC1	Titanium	116gr	80kg/175lbs



CHILD 3 ARM LAMINATION ANCHOR WITH ROTATABLE PYRAMID

For both A / K Exoskeletal Socket or Thermoplastic frame lamination.

Cat. No.	Alloy	Weight	Max Patient Weight
4TC2	Titanium	108gr	80kg/175lbs



CHILD 4 ARM LAMINATION ANCHOR WITH ROTATABLE RECEIVER

For both A / K Exoskeletal Socket or Thermoplastic frame lamination.

Cat. No.	Alloy	Weight	Max Patient Weight
4TC3	Titanium	126gr	80kg/175lbs



CHILD 4 ARM LAMINATION ANCHOR WITH ROTATABLE PYRAMID

For both A / K Exoskeletal Socket or Thermoplastic frame lamination.

Cat. No.	Alloy	Weight	Max Patient Weight
4TC4	Titanium	119gr	80kg/175lbs





CHILD LAMINATION RIM WITH ROTATING PYRAMID

Cat. No.	Alloy	Weight	Max Patient Weight
4TC5	Titanium	66gr	80kg/175lbs



CHILD LAMINATION RIM WITH ROTATING RECEIVER

Cat. No.	Alloy	Weight	Max Patient Weight
4TC6	Titanium	72gr	80kg/175lbs

CHILD CONNECTOR PLATE



Cat. No.	Alloy	Weight	Max Patient Weight
4TC7	Aluminum	116gr	80kg/175lbs



Medex is pleased to

... give you the leverage you need

As a practitioner you have complete control in the type of solutions you offer your patients with the wide array of features available in Medex components.

... join experience with innovation

Real-world knowledge in prosthetic practice and manufacturing industries joins materials engineering, research and development to bring you exciting new Medex parts.

... run on sound footing

Focused on manufacturing high-quality dependable products, Medex concentrates all of its efforts on the best raw materials, highest standards of manufacturing, continually evolving component models, and effective service. All Medex modular adapters are presented in order of position from the foot up and ending with accessories.



INDEX

Product	page	Product	page
FOOT ADAPTERS - Sach Foot Adapters	1	LAMINATION PLATES - w/Pyramid or Receiver	14
PYLONS AND CLAMPS - Receiver - Tube unit - Tubes w/Receivers - Long Tube w/Pyramid - Tube Clamp Adapters - Sliding Tube Clamps	2 3 4	SHUTTLE LOCKS - 4 Screw Mounting Shuttle Lock - 4 Prong Combination Shuttle Lock - Screw Thread Shuttle Lock - 4 Screw Mounting Shuttle Lock	15 16
4 HOLE ADAPTERS - Pyramids w/4 Holes - Pyramid Adapters w/4 Holes - Receivers - Rotatable Sliding Pyramid w/4 Holes - Rotatable Sliding Receiver w/4 Holes	5 6 7	RIM SYSTEMS - Lamination Rims	16 17
4 PRONG ADAPTERS - Pyramid w/4 Prongs	7 7-8	RIM SYSTEMS SHUTTLE LOCKS	18
DOUBLE HEAD ADAPTERS - Double Head Pyramids - Double Head Receivers	9	KNEE JOINTS - Modular Single Axis Knee Joint	18
DOUBLE HEAD ROTATES AND SLIDES - Doan's Double Head Rotatables	10	ROTATING TIPS - Rotating Pyramid Tip - Rotating/Sliding Tips	19
ROTATES AND SLIDES - Double Head Rotatables - Double Head Receivers	11 12	ROTATING FRAMES - 4 Hole Rotating Frame - 3 Arm Lamination Anchor	20
LAMINATION ANCHORS - 3 Arm A/K Lamination Anchor - 3 Arm Anchors w/Rotatables	12 13-14	CONNECTORS AND COUPLINGS	20
		PEDIATRIC COMPONENTS - Child SACH Foot Adapter - Child Pylon w/ Receiver - Child Tube Clamp Adapters - Child Pyramid w/4 Holes - Child Double Head Receivers - Child Rotating Pyramid w/4 Holes - Child Double Head Rotatables - Child 3 & 4 Arm Lamination Anchors - Child Lamination Rim	21 22 23 24 25

TORQUE SETTINGS AND LOCTITE RECOMMENDATIONS FOR MEDEX MODULAR ADAPTER SCREWS-BOLTS

				
<p>10mm Sach Foot Adapter Bolt Torque: 20Nm</p> <p>8mm Sach Foot Adapter Bolt Torque: 15Nm Loctite: No</p>	<p>5mm Clamp Screws For All Colors and Lengths Torque: 9Nm Loctite : No</p>	<p>6mm Pylon-Socket Attachment Countersunk Head Bolt Torque: 12Nm Loctite: No</p>	<p>5mm Clamp Screws For All Colors and Lengths Torque : 9Nm Loctite : No</p>	<p>8mm Alignment Set Screws For All Receivers Torque: 15Nm Lockite: Yes</p> <p>8mm Rotation Set Screws, Oval Tip, Flat Tip Torque: 9Nm Loctite: Yes</p>

This catalog covers lower limb endoskeletal components.
Please request information on:

Gel Liners
Suspension sleeves
Carbon Fiber sleeves and cloth
Private Label manufacturing
Prosthetic component design, prototype and development

MEDEX

CE

TOLL FREE: 1-888-886-2420
P.O. Box 21, Kensington, MD, 20895
Phone: 301-657-2681
Fax: 301-657-2796

All manuals for products may be found at
sales@medexinternational.com
www.medexinternational.com

