



Lower Limb Prosthetic Catalogue

Issue 17



Contents

| | |
|---------------------------|---------|
| Introduction | 4-5 |
| Activity Level Guide | 6-9 |
| Integrated Limb System | 10-13 |
| Knees | 14-35 |
| Feet | 36-77 |
| Junior | 78-89 |
| Controls | 90-93 |
| Adapters | 94-113 |
| Liners | 114-119 |
| Cosmesis | 120-127 |
| Socket Technology | 128-130 |
| Workshop Equipment | 131-137 |
| Index | 139 |
| Warranty Information | 140 |
| Global Warranty Statement | 141 |

Corporate Overview

Blatchford is committed to being a global leader in prosthetics and helping to change thousands of lives for the better through providing safe, effective and life-enhancing prostheses and clinical services.

For more than 125 years we have maintained a continuous relationship directly with the people who use artificial limbs. In the UK we operate limb fitting centre contracts for the NHS, and work closely with a network of distributors across the globe.





Blatchford is one of the world's longest established prosthetics companies. Our corporate headquarters is located in the UK, with additional clinical, manufacturing, research and development locations around the world. Our latest innovation, Linx, is a radical development in rehabilitation: an integrated, microprocessor controlled system in which the knee and foot work seamlessly together to ensure perfect gait response on all kinds of terrain. Recent innovations include the Elan foot and Orion3 knee, the former an award winning, unique, technology concept: the latter a sophisticated microprocessor controlled knee with self-programming ability and adaptive speed control.

Some of our major awards include: four Queen's Awards for Technological Achievement and Export, Design Council Award, Prince of Wales Award for Innovation, Millennium Products, British Engineering Excellence, IOD, EEF and BHTA, Design for Living Award. 2016 was a successful year for Linx, winning the prestigious MacRobert Award, presented by the Royal Academy of Engineering, and later winning a German Design Award.



endolite

A Blatchford Company



Activity Levels

Prescription Activity Level Guide



Has the ability or potential to use a prosthesis for transfers or ambulation on level surfaces at fixed cadence. Typical of the limited and unlimited household ambulator.



Has the ability or potential for ambulation with the ability to traverse low level environmental barriers such as curbs, stairs, or uneven surfaces. Typical of the limited community ambulator.



Has the ability or potential for ambulation with variable cadence. Typical of the community ambulator who has the ability to traverse most environmental barriers and may have vocational, therapeutic, or exercise activity that demands prosthetic utilization beyond simple locomotion.



Has the ability or potential for prosthetic ambulation that exceeds basic ambulation skills, exhibiting high impact, stress, or energy levels. Typical of the prosthetic demands of the child, active adult, or athlete.

Prescription Impact Level Guide

| | |
|-----------------|---|
| Low | Daily walking and occasional sports such as golf and hiking |
| Moderate | Aggressive walking, frequent or daily sports such as jogging |
| High | Daily activities such as distance running, climbing, lifting and carrying heavy objects for vocational purposes |

Notes

1. The maximum user weight/activity guidelines provided on our catalogue product pages and Clinician's Manuals give the ideal functional prescription, this may vary by region or reimbursement system. Our instructions for use provide structural safety levels which may differ.
2. The weight limit on the complete prosthesis is determined by its lowest rated component.
3. The weight limit applies to all products unless stated otherwise.
4. Before assembly always refer to the appropriate technical information.
5. See Blatchford website for latest product information.

| Product | Level 1 | Level 2 | Level 3 | Level 4 |
|---------|---------|---------|---------|---------|
|---------|---------|---------|---------|---------|

| | | | | |
|------------------------|--|--|--|--|
| Integrated Limb System | | | | |
| Linx | | | | |

| Product | Level 1 | Level 2 | Level 3 | Level 4 |
|---------|---------|---------|---------|---------|
|---------|---------|---------|---------|---------|

| | | | | |
|----------------------|--|--|--|--|
| Microprocessor Knees | | | | |
| Orion3 | | | | |
| Smart IP | | | | |

| | | | | |
|-----------------|--|--|--|--|
| Hydraulic Knees | | | | |
|-----------------|--|--|--|--|

| | | | | |
|---------|--|--|--|--|
| KX06 | | | | |
| Mercury | | | | |

| | | | | |
|-------------------------------|--|--|--|--|
| Locking and Free Option Knees | | | | |
|-------------------------------|--|--|--|--|

| | | | | |
|--------------|--|--|--|--|
| ESK+ | | | | |
| ESK+ MKL | | | | |
| S200 | | | | |
| S400 | | | | |
| S500 | | | | |
| Compact SAKL | | | | |
| Aqualimb TF | | | | |

| Product | Level 1 | Level 2 | Level 3 | Level 4 |
|---------|---------|---------|---------|---------|
|---------|---------|---------|---------|---------|

| | | | | |
|--------------------|--|--|--|--|
| Junior | | | | |
| Mini BladeXT | | | | |
| Child's 4-bar Knee | | | | |

Activity Levels

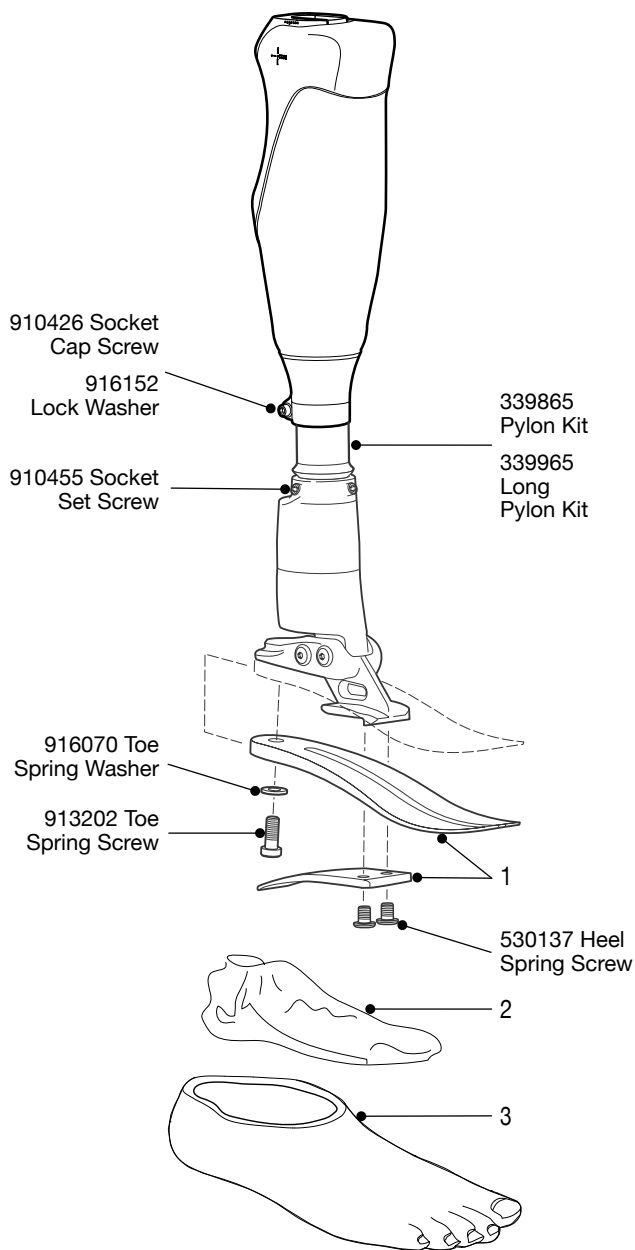
| Product | Level 1 | Level 2 | Level 3 | Level 4 |
|---|---------|---------|---------|---------|
| Feet With Dynamic Foot Springs | | | | |
| Elan | | | | |
| EchelonVAC | | | | |
| EchelonVT | | | | |
| Echelon | | | | |
| Elite2 | | | | |
| EliteVT | | | | |
| Epirus | | | | |
| Esprit | | | | |
| Elite Blade | | | | |
| Elite BladeVT | | | | |
| BladeXT | | | | |
| Javelin | | | | |
| Feet With Resilient/Cushioned Ankle Function | | | | |
| Avalon ^{K2} | | | | |
| Navigator | | | | |
| Multiflex <small>Standard/Slim/ Special Edition</small> | | | | |
| SuperSACH | | | | |
| Senior | | | | |
| Aqualimb TT | | | | |



Integrated Limb System



Linx Schematics



1 Spring Kits:

| Foot Size | Foot Size | Foot Size | Foot Size |
|----------------|----------------|----------------|----------------|
| 22-24 | 25-26 | 27-28 | 29-30 |
| Set 1 - 539801 | Set 1 - 539810 | Set 1 - 539819 | Set 1 - 539828 |
| Set 2 - 539802 | Set 2 - 539811 | Set 2 - 539820 | Set 2 - 539829 |
| Set 3 - 539803 | Set 3 - 539812 | Set 3 - 539821 | Set 3 - 539830 |
| Set 4 - 539804 | Set 4 - 539813 | Set 4 - 539822 | Set 4 - 539831 |
| Set 5 - 539805 | Set 5 - 539814 | Set 5 - 539823 | Set 5 - 539832 |
| Set 6 - 539806 | Set 6 - 539815 | Set 6 - 539824 | Set 6 - 539833 |
| Set 7 - 539807 | Set 7 - 539816 | Set 7 - 539825 | Set 7 - 539834 |
| Set 8 - 539808 | Set 8 - 539817 | Set 8 - 539826 | Set 8 - 539835 |

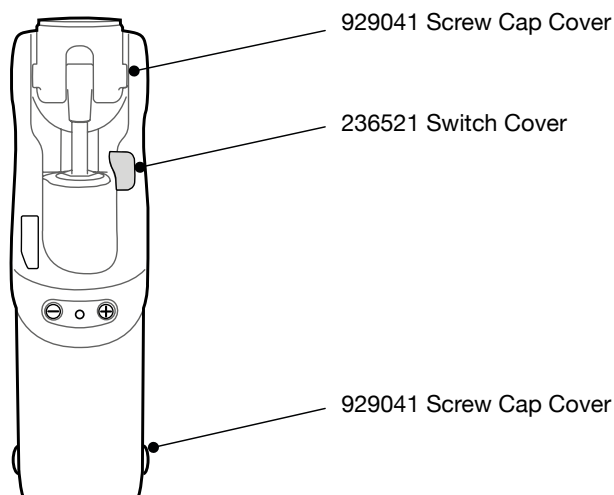
2 Glide Sock: 22-26 - 531011, 27-30 - 532811

3 Foot shells:*

| Left | Part Number | Right | Part Number |
|------|-------------|-------|-------------|
| 22L | 539038E | 22R | 539039E |
| 23L | 539040E | 23R | 539041E |
| 24L | 539042E | 24R | 539043E |
| 25L | 539044 | 25R | 539045 |
| 26L | 539046 | 26R | 539047 |
| 27L | 539048 | 27R | 539049 |
| 28L | 539050 | 28R | 539051 |
| 29L | 539052 | 29R | 539053 |
| 30L | 539054 | 30R | 539055 |

*For dark tone add suffix D

| | |
|------------------------|--------|
| Pylon Kit | 339865 |
| Pylon cutting jig | 941257 |
| Battery charger kit | 239093 |
| Aus adapter | 950164 |
| UK adaptor | 950136 |
| Euro adaptor | 950137 |
| US adaptor | 950138 |
| Shin extension cable | 239057 |
| Socket screwdriver 4mm | 940271 |
| Socket Hex 5mm AF | 940266 |
| Clinician's Manual | 938353 |



Proximal Attachments

| | | | |
|------------------------------------|--------|--|------|
| Rotating Pyramid with Shift | 239017 | | 7mm |
| Non-rotating Pyramid with Shift | 239089 | | 7mm |
| Rotating Female Pyramid with Shift | 189128 | | 28mm |
| M36 Threaded Adapter | 239092 | | 14mm |

Build part numbers are for assembly guidance only and may not be for sale separately.

Fully integrated, microprocessor controlled lower limb system for above knee amputees.

Linx

Integrated Limb System

Features

- **Situational Awareness** - Integrated sensors continuously collect data to seamlessly adapt the limb's response.
- Varying levels of stance resistance to optimise safety at all times:
 - Standing support
 - Supported sitting
 - Controlled stance support
 - Stumble recovery
 - Dynamic stair descent
 - Dynamic slope descent
- Cycling Mode and Fixed Angle Flexion Lock Mode
- Knee Flexion to 130°
- Up to 3 days battery life

Specifications

| | |
|--------------------------|----------------|
| Max. User Weight: | 125kg |
| Activity Level: | (2), 3, (4) |
| Size Range: | 22 to 30 |
| Component Weight: | 2.6kg† |
| Build Height: | 470mm to 565mm |
| Heel Height: | 10mm |



Suitable for outdoor use

Order Example

| Product Code | Size | Side | Spring Set |
|--------------|------|------|------------|
| LINX | 25 | L | 3 |

For dark tone add suffix D.

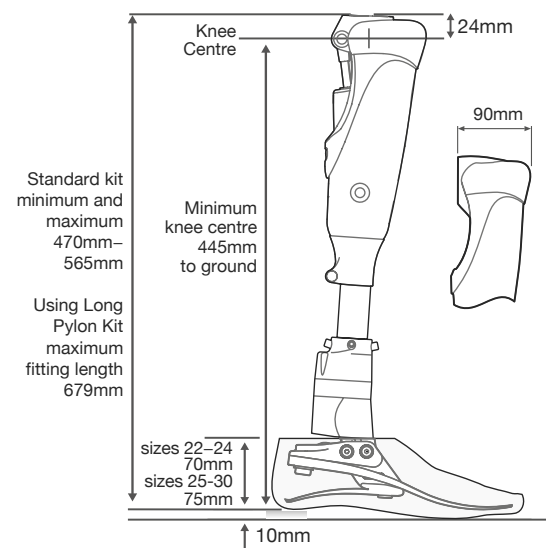
Example: foot size 25 left, spring rating 3

Accessories

| | |
|-----------------------------|---------------|
| Long Pylon Kit | 339965 |
| Alignment Wedge | 940093 |
| Endolite Programming Tablet | 019179 |



Build Height



Activity Level 3 has the ability or potential for ambulation with variable cadence. Typical of the community ambulator who has the ability to traverse most environmental barriers and may have vocational, therapeutic, or exercise activity that demands prosthetic utilization beyond simple locomotion. Activity level 2 and 4* users will require softer or stiffer springs as appropriate for the individual user rather than as shown in the spring selection guide.* (max user weight 100kg and always use one higher spring rate).

Activity
3

User Weight

| | | | | | | | | |
|---------|---------|---------|---------|---------|---------|---------|---------|-----|
| 44-52 | 53-59 | 60-68 | 69-77 | 78-88 | 89-100 | 101-116 | 117-125 | kg |
| 100-115 | 116-130 | 131-150 | 151-170 | 171-195 | 196-220 | 221-255 | 256-275 | lbs |

| | | | | | | | | |
|---|---|---|---|---|---|---|---|------------|
| 1 | 2 | 3 | 4 | 5 | 6 | 7 | 8 | Spring set |
|---|---|---|---|---|---|---|---|------------|



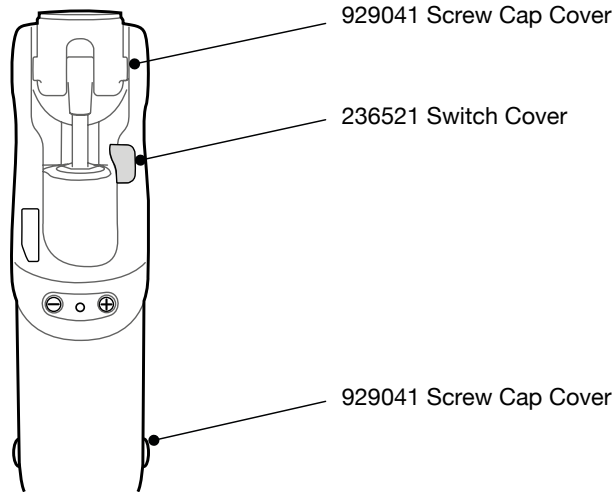
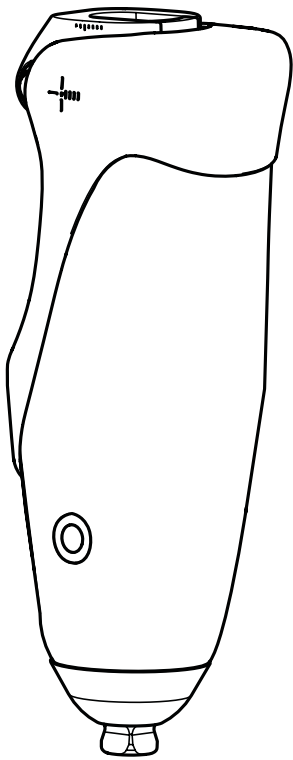
†Component weight shown is for a size 26cm without foot shell.





Knees

Orion3 Schematics



Features

- Situational Awareness – an Inertial Measurement Unit senses movement and speed to respond accordingly, in real time
- Enhanced Stability Performance – 5 levels of stance resistance optimises safety at all times
 - Controlled Stance Support
 - Standing Support
 - Dynamic Slope and Stair Descent
 - Stumble Recovery
 - Supported Sitting
- Natural Efficient Motion - MPC pneumatics ensure energy efficient and smooth swing at multiple speeds
 - Optimal Stance Release
 - Adaptive Speed Control
 - Terminal Swing Damping
- Cycling Mode and Fixed Angle Flexion Lock Mode
- Knee Flexion to 130°
- Intuitive Programming Software
- Lithium Ion batteries with up to 3 days life, dependent on usage
- Battery Life Indicator and Low Power Mode



Specifications

| | |
|--------------------------|-------------------------|
| Max. User Weight: | 125kg |
| Activity Level: | (2), 3, (4*) |
| Component Weight: | 1.5kg |
| Build Height: | 250mm |
| Control Unit: | MPK Hydraulic/Pneumatic |

*Dependent on local reimbursement guidelines/maximum user weight 100kg



Part Number

ORION3

Accessories

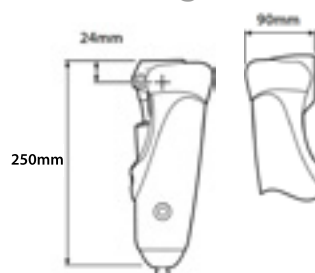
| | |
|-----------------------------|---------------|
| Battery Charger Kit | 239093 |
| Clinician's Manual | 938374 |
| Endolite Programming Tablet | 019179 |

Socket Adapters

P409049



Build Height

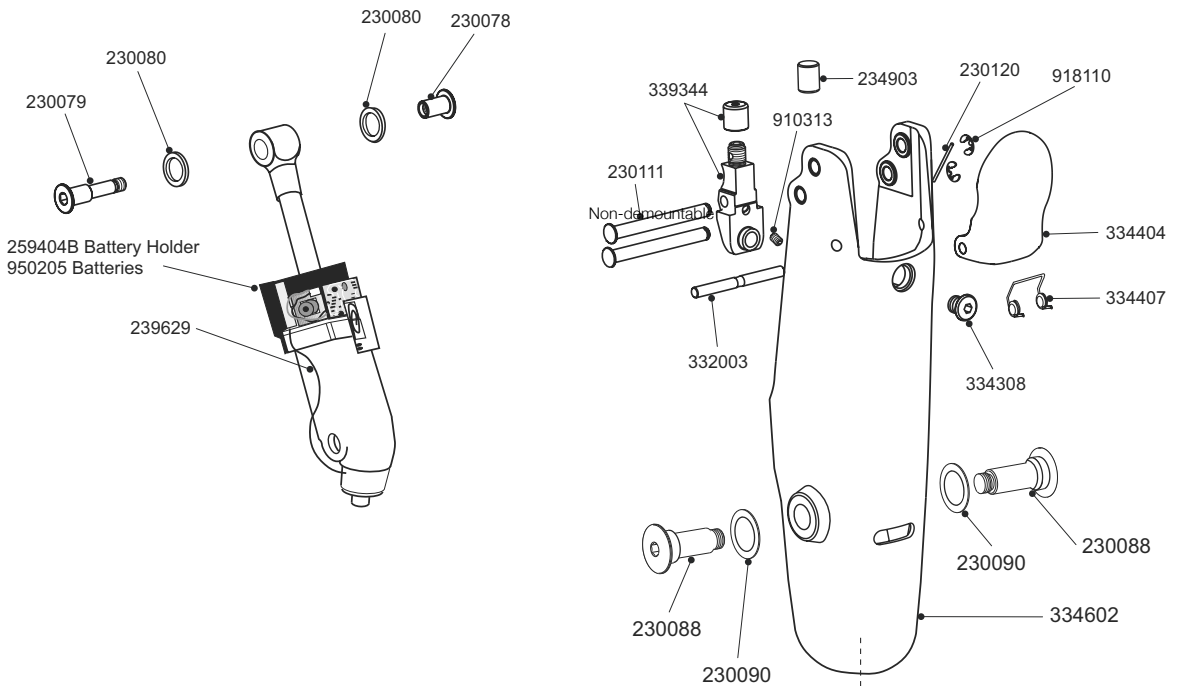
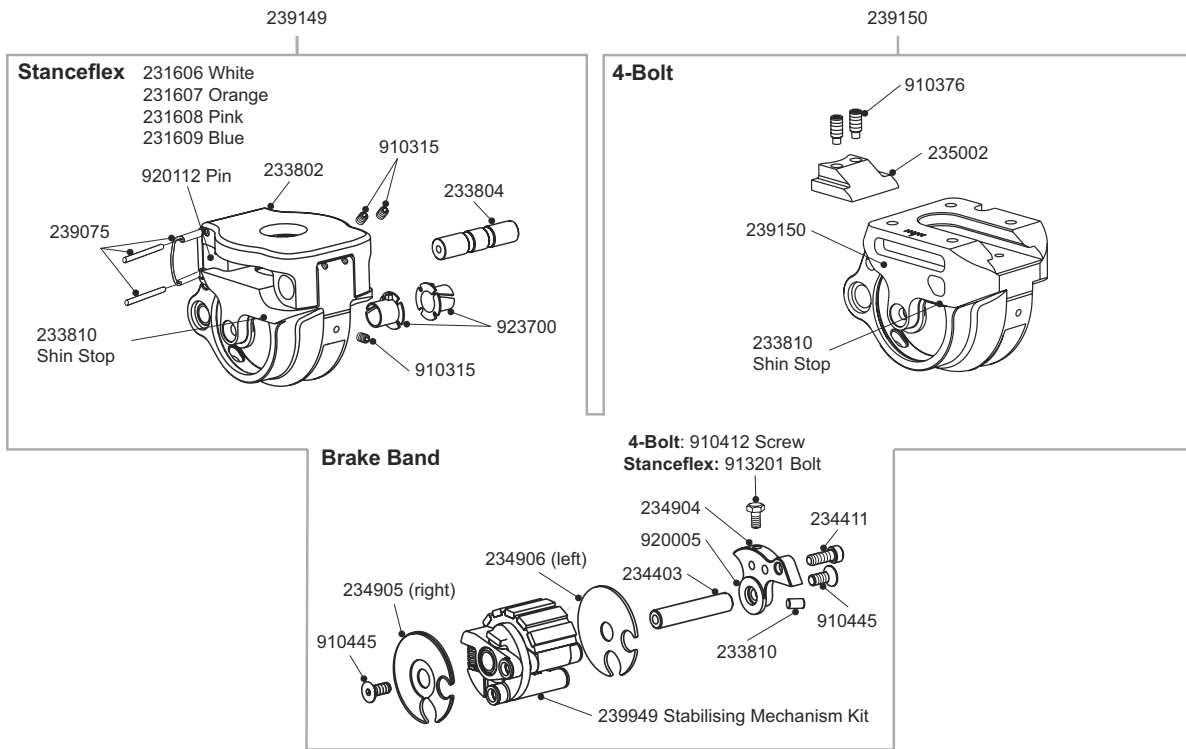


Proximal Attachments

| | | | | |
|------------------------------------|---------------|--|--|------|
| Rotating Pyramid with Shift | 239017 | | | 7mm |
| Non-rotating Pyramid with Shift | 239089 | | | 7mm |
| Rotating Female Pyramid with Shift | 189128 | | | 28mm |
| M36 Threaded Adapter | 239092 | | | 14mm |



SmartIP Schematics



| | |
|-------------------------------|--------|
| UK controller board SMiP | 259401 |
| Fuse | 950043 |
| Instructions for use | 938250 |
| Control cylinder instructions | 938238 |
| Alignment/stability | 938194 |
| Stanceflex ESK+ | 938192 |
| 4-Bolt ESK+ | 938205 |



Build part numbers are for assembly guidance only and may not be for sale separately.

Microprocessor controlled knee with programming technology for optimum swing settings.

SmartIP

Features

- Comfortable gait from very slow to fast walking speeds
- Smoother speed progression because of enhanced program
- Weight activated stance control
- Stanceflex option improves comfort
- Battery life expectancy 9-12 months under normal usage
- 140° knee flexion
- 4-Bolt option reduces build height

Specifications

| | |
|--------------------------|--|
| Max. User Weight: | 125kg |
| Activity Level: | 1, 2, 3, (4*) |
| Component Weight: | 1.27kg Stanceflex 1.15kg 4-Bolt |
| Build Height: | see diagram |
| Control Unit: | Swing: MPK/Pneumatic Stance: mechanical |

* Maximum user weight 100kg



Suitable for outdoor use

Part Numbers

| | |
|--------------------|---|
| Stanceflex options | SMARTIPSF30 SMARTIPSF30PYR |
| 4-Bolt options | SMARTIP4B30 SMARTIP4B30PYR |

Stanceflex Rubber Hardness

| | | | |
|------------------------------|----------------------|--|------------------------------|
| 25° 231608 Soft | 35° 231606 | 45° 231607 Fitted as standard | 70° 231609 Hard |
|------------------------------|----------------------|--|------------------------------|

Careful selection of Stanceflex rubber is essential as it influences the action of the unit (see fitting information).

Socket Adapters

Stanceflex options

| | | | | |
|--------|--------|--------|----------------------|--------|
| | | | | |
| 409041 | 409042 | 189806 | 189123 (rotation) | 189127 |

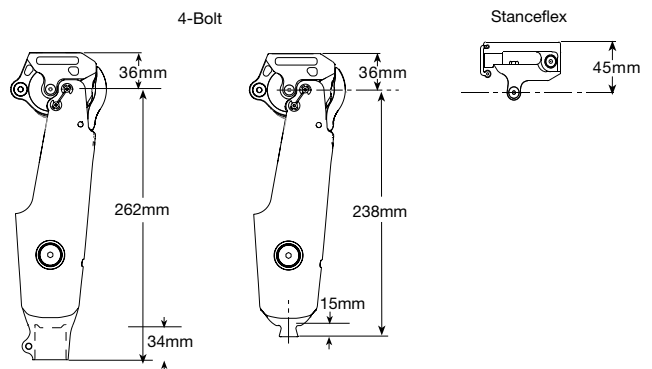
4-Bolt options

| | | | | |
|--------|--------|---------|--------|--------|
| | | | | |
| EP-MSR | EP-FSR | P189310 | 239017 | 239032 |
| | | | | |
| 189128 | 239092 | 239089 | | |

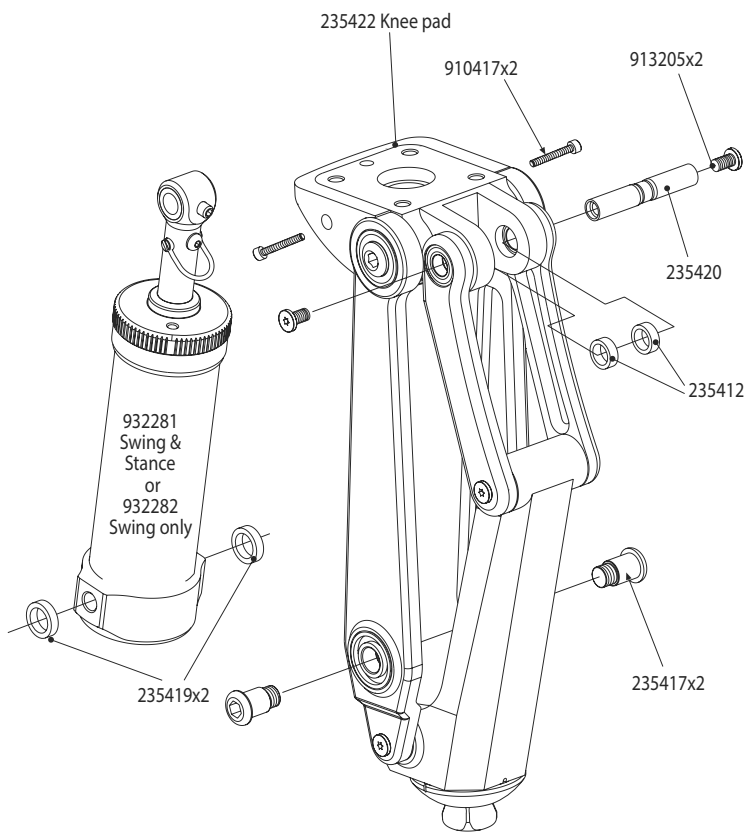


Pyramid option shown

Build Height



KX06 Schematics



Instructions for use
Control cylinder instructions

938271
938216



Build part numbers are for assembly guidance only and may not be for sale separately.

Features

- Polycentric knee with hydraulic swing and stance or swing only
- 160° knee flexion
- Water resistant design
- Variable cadence
- Cylinder flexion lock
- Mode switch for cycling
- Multiple proximal adapter choices
- Distal pyramid

Specifications

| | |
|---|--------------------|
| Max. User Weight/Activity Level: | 150kg/3 145kg/4 |
| Component Weight: | 1.23kg |
| Build Height: | See diagram |
| Control Unit: | Endolite Hydraulic |



Suitable for shower use



Part Numbers

KX06
KX06-SWING

Accessories

Cylinder Adjuster Tool

940091

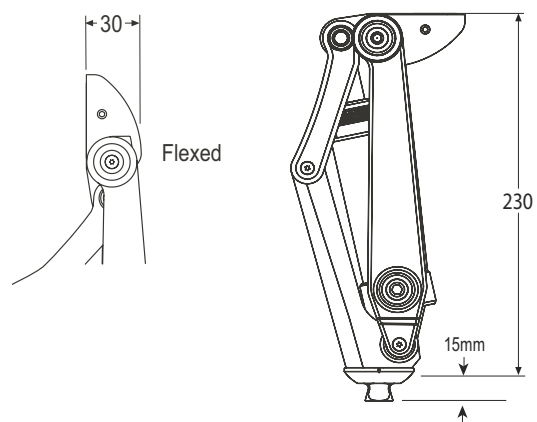


Socket Adapters

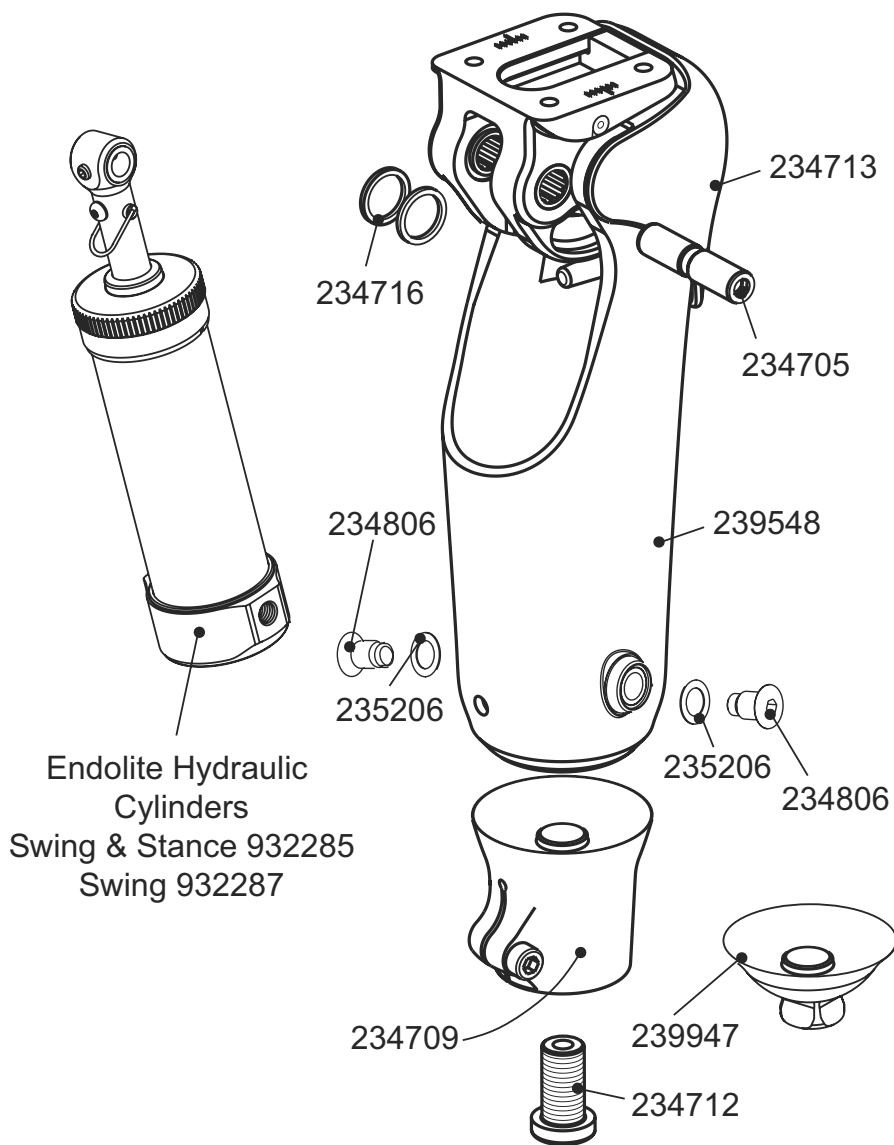
EP-MSR EP-FSR P189310 169307 169207

169407

Build Height



Mercury Schematics



Instructions for use knee
Control cylinder instructions

938251
938216

Features

- Tough carbon fibre frame
- 125° knee flexion
- Long life needle roller bearings
- Reinforced hydraulic unit
- Variable cadence
- Cylinder flexion lock
- Mode switch for cycling
- Durable urethane kneeler pad
- Compact design

Specifications

| | |
|---|--------------------|
| Max. User Weight/Activity Level: | 150kg/3 145kg/4 |
| Component Weight: | 1.23kg |
| Build Height: | See diagram |
| Control Unit: | Endolite Hydraulic |



Part Numbers

- MH30
- MH30 SWING
- MHPYR
- MHPYR SWING

Discontinuous:

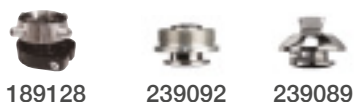
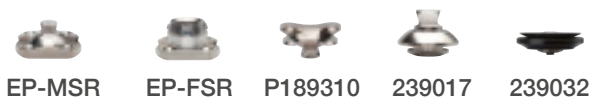
- MHDPYRS - small kneeball 100mm
- MHDPYRM - medium kneeball 110mm
- MHD30S - small kneeball 100mm
- MHD30M - medium kneeball 110mm

Accessories

Mercury discontinuous cosmesis kit see page 125

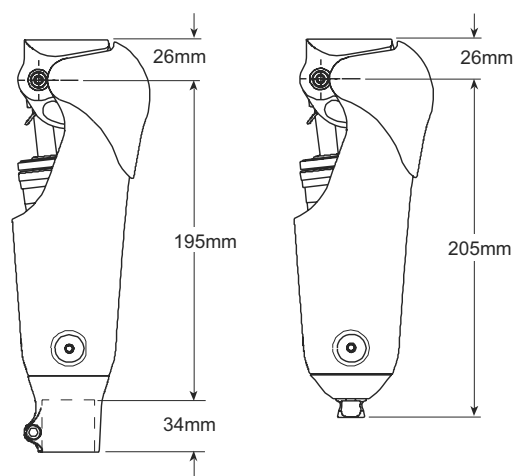
Cylinder Adjuster Tool **940091** 

Socket Adapters

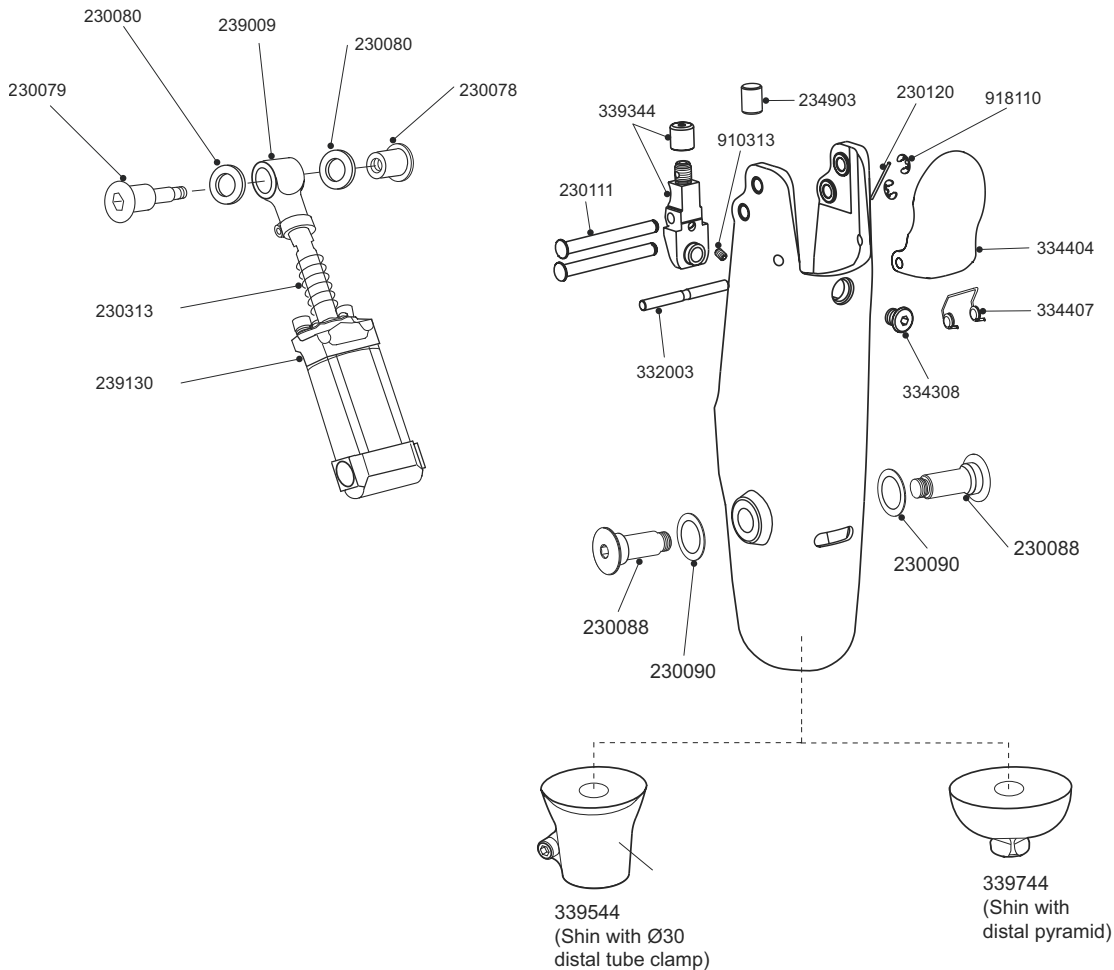
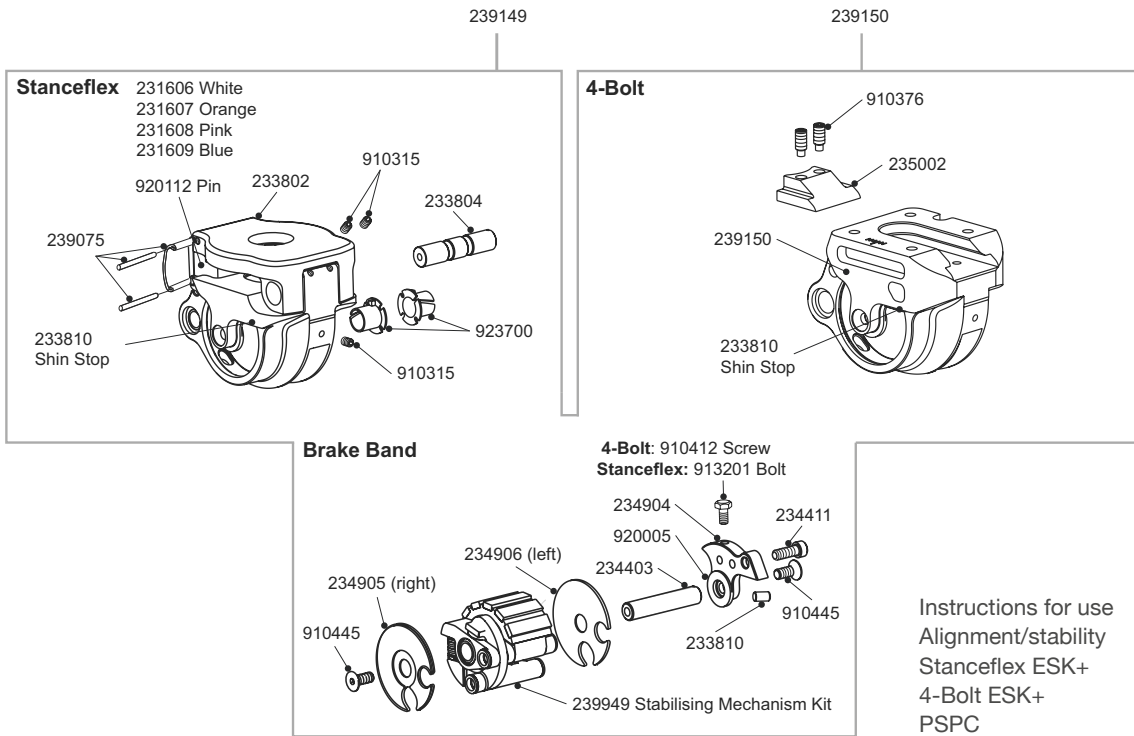


Pyramid option shown

Build Height



ESK+ Schematics



Build part numbers are for assembly guidance only and may not be for sale separately.

PSPC knee with weight activated stance control for moderately active users.

ESK+

Features

- Weight activated adjustable stance control
- Pneumatic swing phase control
- Stanceflex option improves comfort
- 140° of knee flexion
- 4-Bolt option reduces build height

Specifications

| | |
|--------------------------|------------------------------------|
| Max. User Weight: | 125kg |
| Activity Level: | 2, 3, (4*) |
| Component Weight: | 1.13kg Stanceflex 1.15kg 4-Bolt |
| Build Height: | See diagram |
| Control Unit: | Pneumatic |

* Maximum user weight 100kg



Suitable for outdoor use

Part Numbers

| | |
|--------------------|-------------------------------------|
| Stanceflex options | ESKSFP30 ESKSFPPYR |
| 4-Bolt options | ESK4BP30 ESK4BPPYR |



Pyramid option shown

Stanceflex Rubber Hardness

| | | | |
|------------------------------|----------------------|--|------------------------------|
| 25° 231608 Soft | 35° 231606 | 45° 231607 Fitted as standard | 70° 231609 Hard |
|------------------------------|----------------------|--|------------------------------|

Careful selection of Stanceflex rubber is essential as it influences the action of the unit (see fitting information).

Socket Adapters

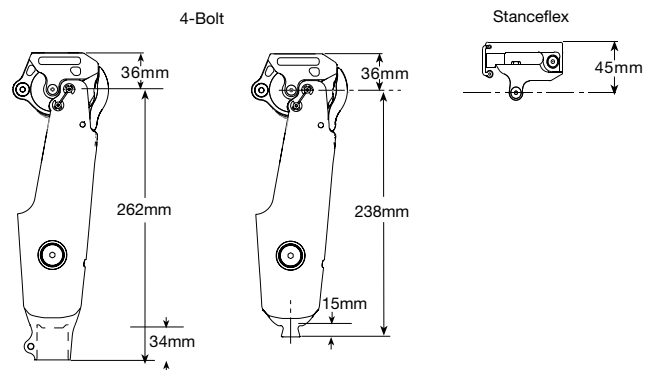
Stanceflex options



4-Bolt options



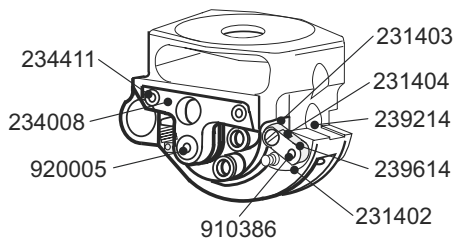
Build Height



ESK+ MKL Schematics

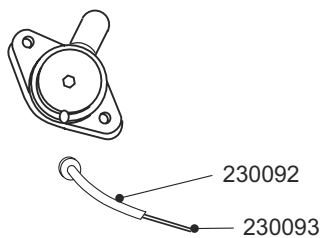
239440

Single Bolt Chassis



239640

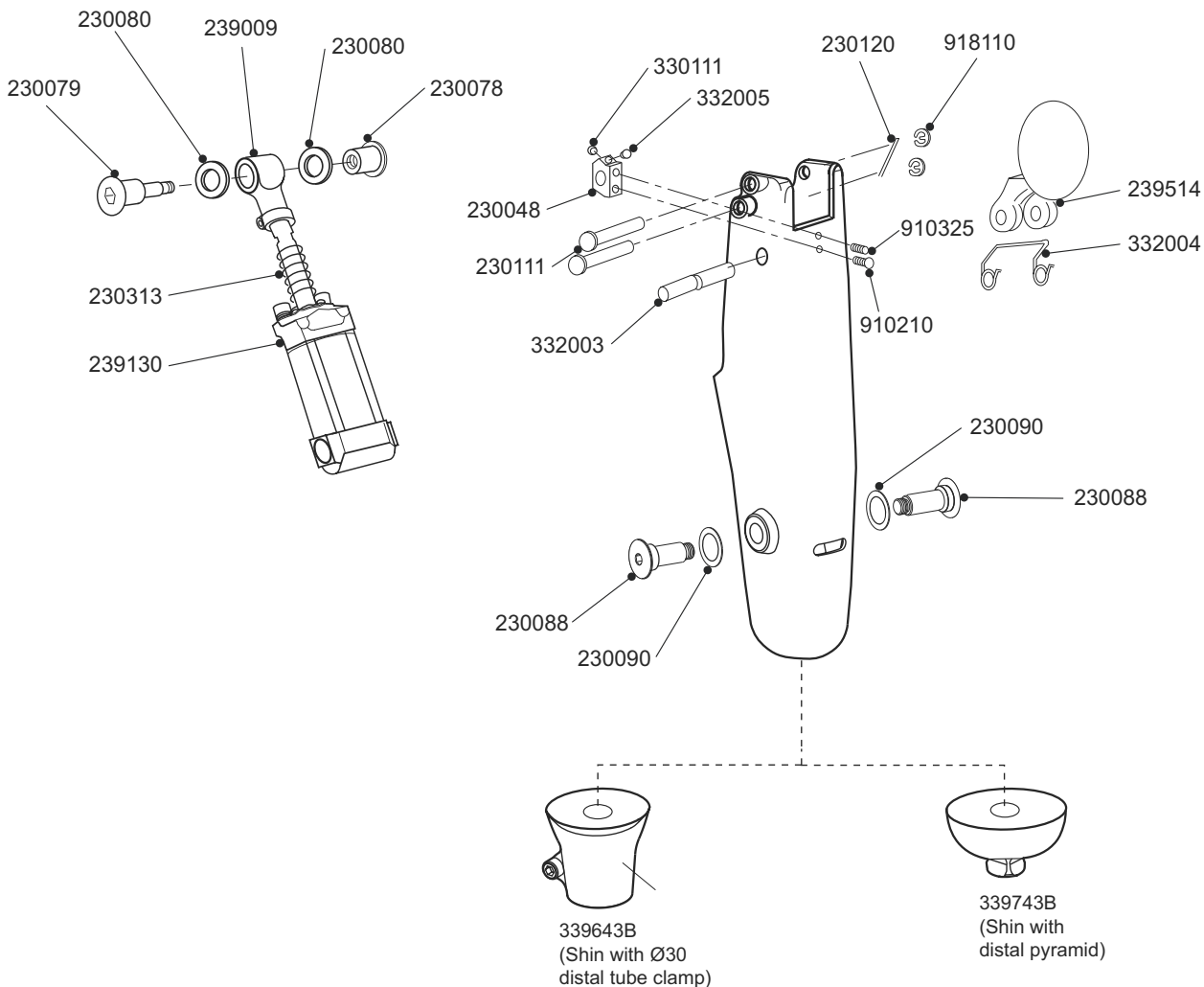
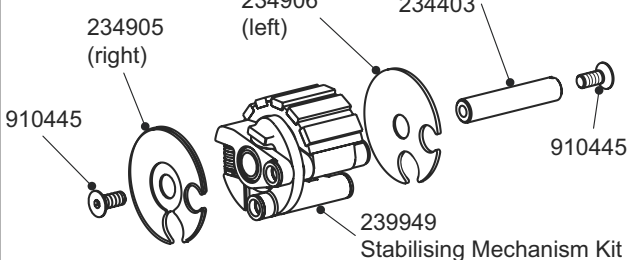
Thigh Release Kit



Instructions for use

| | |
|-----------------------|-----------------|
| MKL thigh Release kit | 938231 |
| Knee | 938230 & 938194 |
| PSPC | 938057 |

Brake Band



Build part numbers are for assembly guidance only and may not be for sale separately.

PSPC knee with weight activated stance control and manual knee lock for moderately active users.

ESK+ MKL

Features

- Weight activated stance control with lock option
- Pneumatic swing control
- Manual user-operated lock
- 115° knee flexion
- Universal thigh release lock operation
- Proximal full alignment

Specifications

| | |
|--------------------------|----------------|
| Max. User Weight: | 125kg |
| Activity Level: | 1, 2, 3, (4*) |
| Component Weight: | 1.2kg |
| Build Height: | See diagram |
| Control Unit: | Pneumatic/lock |

* Maximum user weight 100kg



Pyramid option shown

Part Numbers

ESKSBMKLP30
ESKSBMKLPPYR

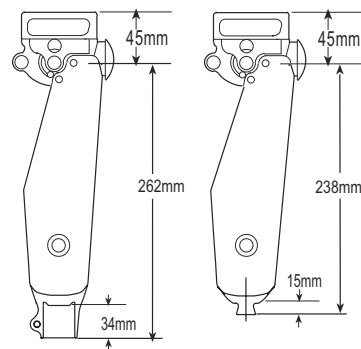
Accessories

Thigh Release Kit **239640** (included)

Socket Adapters



Build Height



Secure knee joint for use where locked knee extension is preferred.

S200

Features

- Rotatable pyramid for ease of alignment
- Low-profile semi-automatic lock
- Will unlock without toe load
- Audible lock engagement for safety

Specifications

| | |
|--------------------------|-------|
| Max. User Weight: | 100kg |
| Activity Level: | 1-2 |
| Component Weight: | 358g |
| Build Height: | 85mm |

Part Numbers

Knee

ENS200



Thigh Release Upgrade Kit
Service/Repair Kit

P239443

2-01-4S40J-SPK



Polycentric locking knee that can be set as a SAKL or MKL.

S400

Features

- Compact low-profile polycentric locking knee
- Good sitting cosmesis
- Can be set as a SAKL, MKL or free knee
- Socket Adapters provide range of set up options
- Geometric lock at heel strike (when set in free knee)
- Adjustable extension assist spring
- Adjustable geometry to reposition ICR

Specifications

| | |
|--------------------------|--------------------|
| Max. User Weight: | 125kg/2 100kg/3 |
| Activity Level: | 2-3 |
| Component Weight: | 678g |
| Build Height: | 130mm |

Part Numbers

Knee

ENS400



SAKL Thigh Release Kit

P239443

MKL Thigh Release Kit

239640

Service/Repair Kit

2-01-S400L-SPK

Socket Adapters

Lotus Adapter (KD)

2-01-S400L=LA-01



Socket Attachment Plate

2-01-S400L=SP-01



Slim and versatile knee with pneumatic swing phase control.

S500

Features

- Slimline polycentric with pneumatic swing control
- Geometric lock at heel strike and stance
- Independent flexion/extension control adjustable
- Socket adapters provide range of set up options
- Geometric lock at heel strike (when set in free knee)
- Adjustable spring extension assist

Specifications

| | |
|--------------------------|-------|
| Max. User Weight: | 125kg |
| Activity Level: | 2-3 |
| Component Weight: | 882g |
| Build Height: | 220mm |

Part Numbers

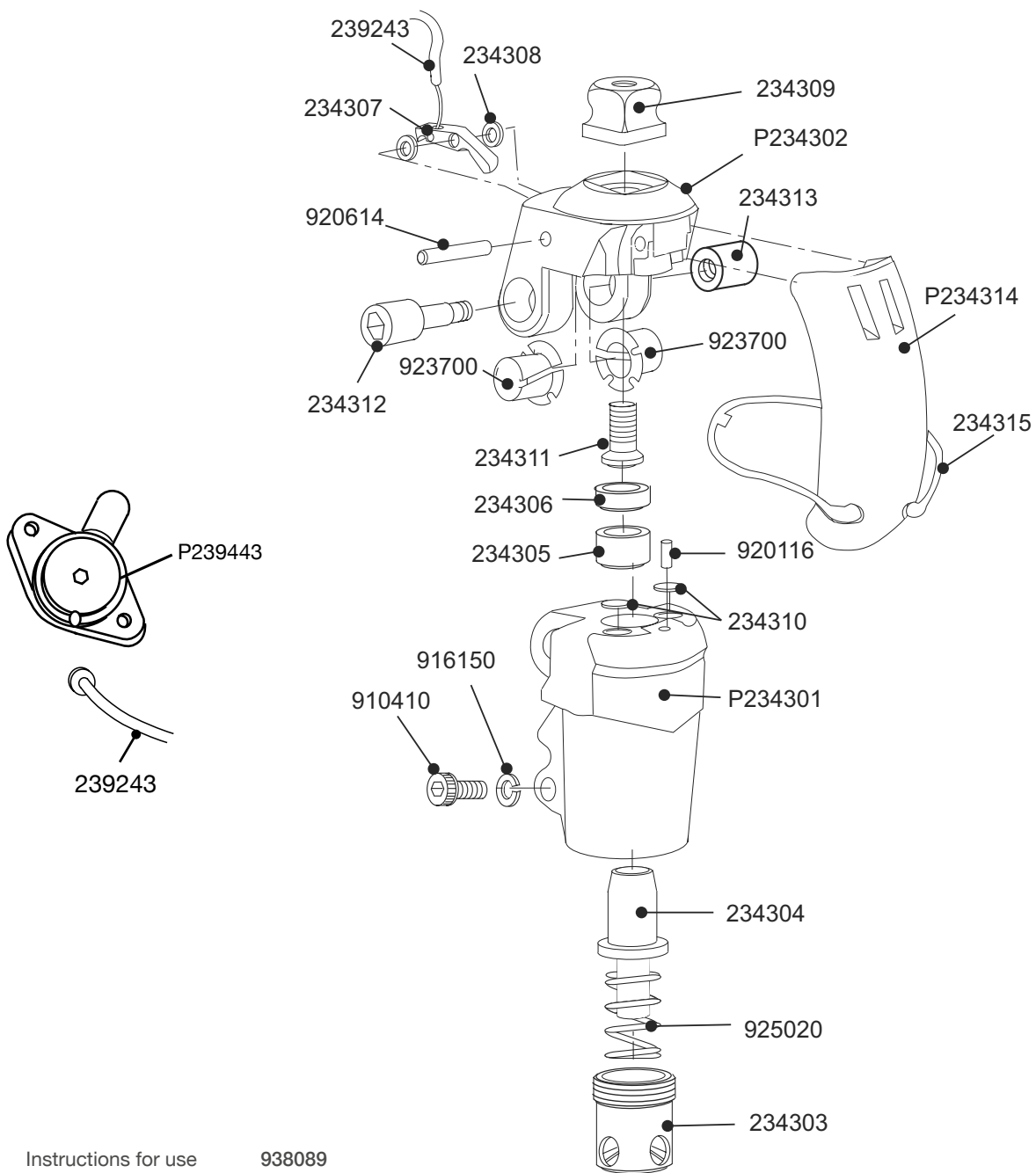
| | |
|-----------------------|-------------------------|
| Knee | ENS500 |
| Service/Repair Kit | 2-01-S500-SPK |
| Extension Stop Bumper | 2-01-S500-SPN004 |

Socket Adapters

| | | |
|-------------------------|-------------------------|---|
| Lotus Adapter (KD) | 2-01-S400L=LA-01 |  |
| Socket Attachment Plate | 2-01-S400L=SP-01 |  |



Compact SAKL Schematics



Instructions for use

938089

Build part numbers are for assembly guidance only and may not be for sale separately.

Compact and lightweight knee,
ideal for low activity users.

Compact SAKL

Features

- Slim, low profile knee
- 140° knee flexion
- Locks automatically on extension
- Thigh release

Specifications

| | |
|--------------------------|-------------|
| Max. User Weight: | 125kg |
| Activity Level: | 1-2 |
| Component Weight: | 325g |
| Build Height: | See diagram |
| Control Unit: | SAKL |



Side view shown



Suitable for outdoor use

Part Number

P239143

Accessories

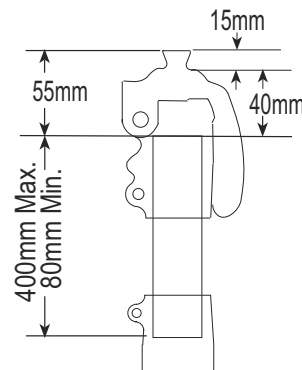
| | |
|---|----------------|
| Thigh Release Kit (release lever only) | P239443 |
| Thigh Release Cable | 239243 |

Socket Adapters

P409049



Build Height

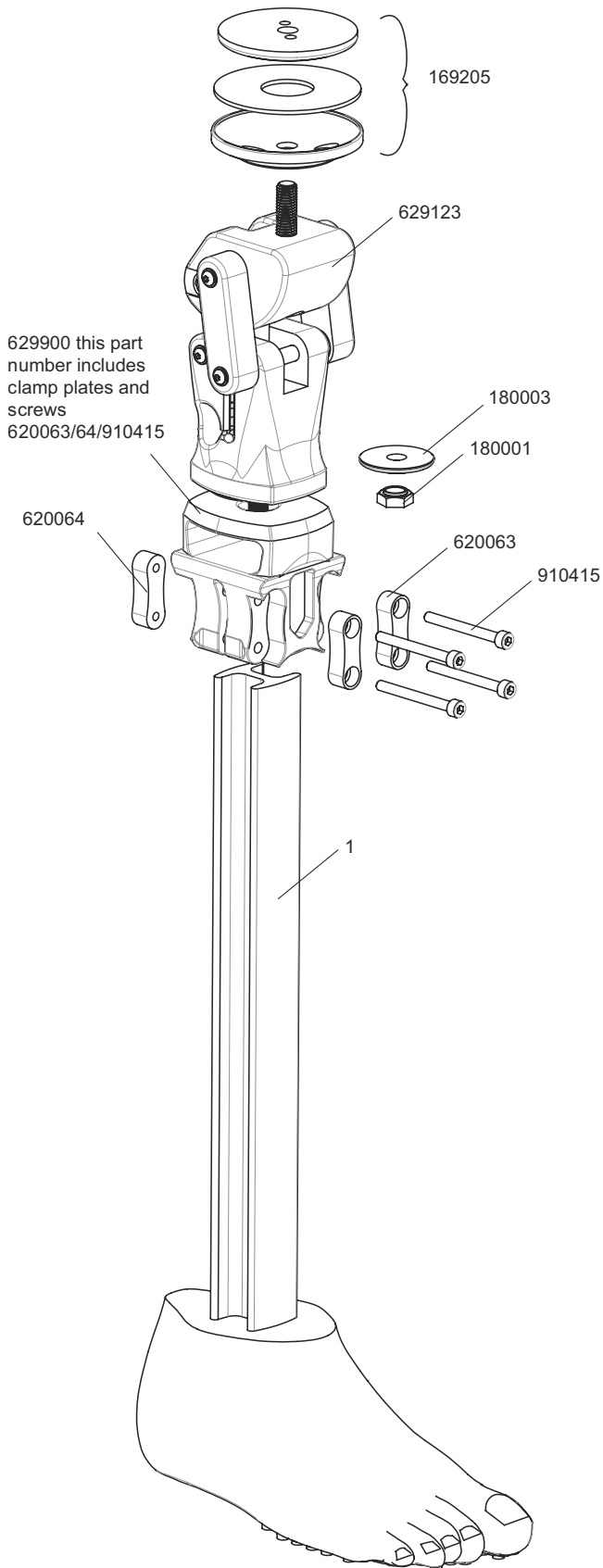


Aqualimb TF

1. Foot Moulding:

| Left | Part Number | Right | Part Number |
|------|-------------|----------------|-------------|
| 22L | 629049 | 22R | 629050 |
| 23L | 629051 | 23R | 629052 |
| 24L | 629053 | 24R | 629054 |
| 25L | 629055 | 25R <td 629056 | |
| 26L | 629057 | 26R | 629058 |
| 27L | 629059 | 27R | 629060 |

Instructions for use 938321



A waterproof prosthesis designed for use in the shower and wet environments.

Aqualimb TF

Features

- Machined polycentric linkage designed knee to improve security
- Manual lock option to increase stability
- Rapid assembly
- Anti-slip tread pattern on sole

Specifications

| | |
|---------------------------|-----------|
| Max. User Weight: | 100kg |
| Activity Level: | 1-2 |
| Size Range: | 22cm-27cm |
| Component Weight†: | 2.0kg |
| Build Height: | 400-585mm |
| Heel Height: | 5mm |

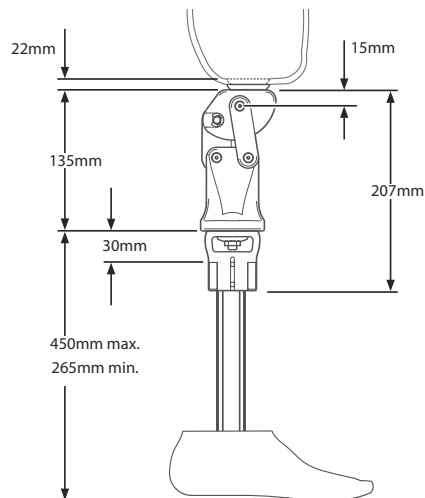


Order Example

| Product Code | Size | Side |
|--------------|------|------|
| AQTF | 25 | L |

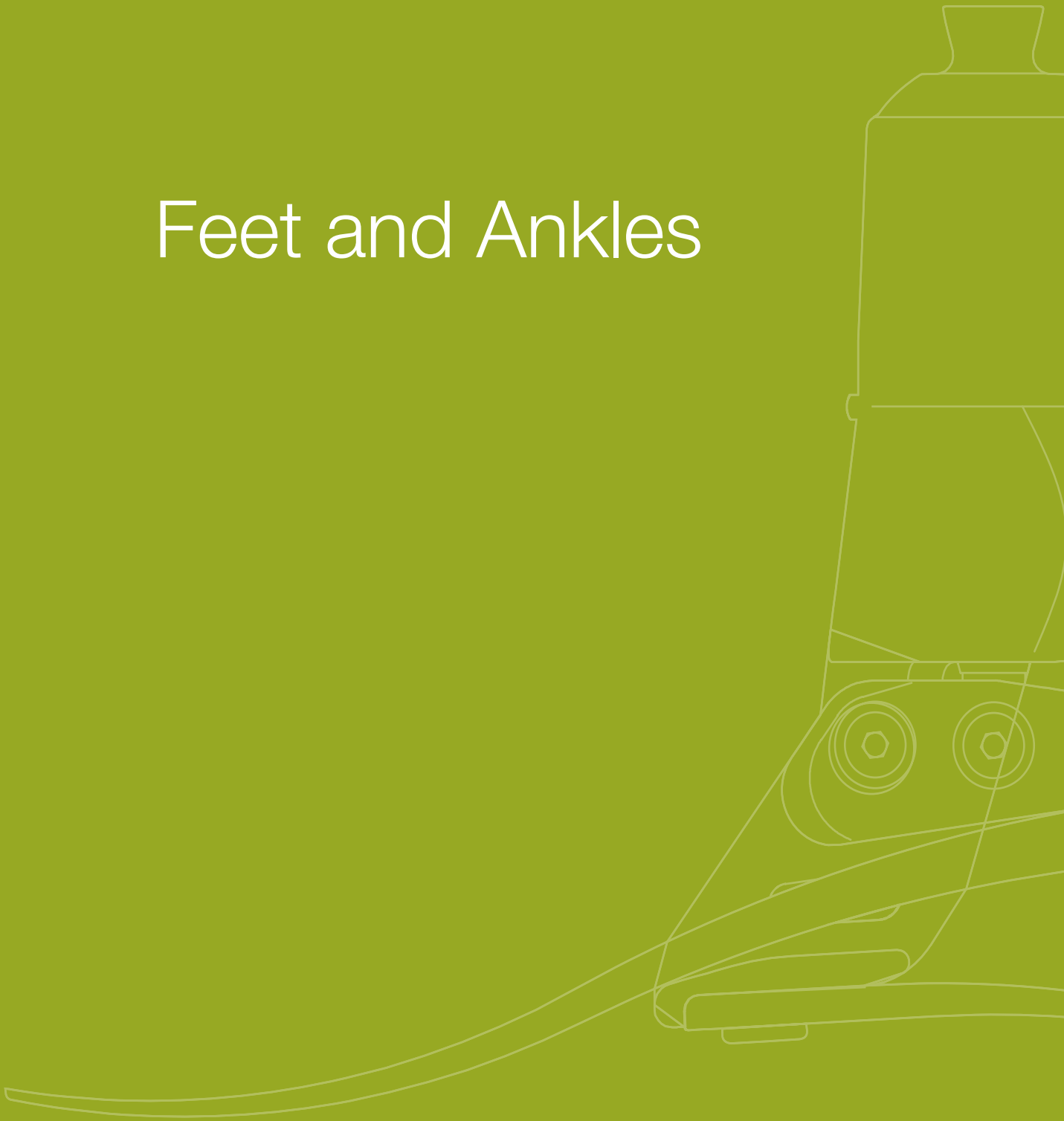
Foot example: AqualimbTF, size 25 left.

Build Height





Feet and Ankles



Elan Schematics

1 Spring Kits:

| Foot Size | Foot Size | Foot Size | Foot Size |
|----------------|----------------|----------------|----------------|
| 22-24 | 25-26 | 27-28 | 29-30 |
| Set 1 - 539801 | Set 1 - 539810 | Set 1 - 539819 | Set 1 - 539828 |
| Set 2 - 539802 | Set 2 - 539811 | Set 2 - 539820 | Set 2 - 539829 |
| Set 3 - 539803 | Set 3 - 539812 | Set 3 - 539821 | Set 3 - 539830 |
| Set 4 - 539804 | Set 4 - 539813 | Set 4 - 539822 | Set 4 - 539831 |
| Set 5 - 539805 | Set 5 - 539814 | Set 5 - 539823 | Set 5 - 539832 |
| Set 6 - 539806 | Set 6 - 539815 | Set 6 - 539824 | Set 6 - 539833 |
| Set 7 - 539807 | Set 7 - 539816 | Set 7 - 539825 | Set 7 - 539834 |
| Set 8 - 539808 | Set 8 - 539817 | Set 8 - 539826 | Set 8 - 539835 |

2 Glide Sock: 22-26 - 531011, 27-30 - 532811

3 Foot shells:*

| Left | Part Number | Right | Part Number |
|------|-------------|-------|-------------|
| 22L | 539038E | 22R | 539039E |
| 23L | 539040E | 23R | 539041E |
| 24L | 539042E | 24R | 539043E |
| 25L | 539044 | 25R | 539045 |
| 26L | 539046 | 26R | 539047 |
| 27L | 539048 | 27R | 539049 |
| 28L | 539050 | 28R | 539051 |
| 29L | 539052 | 29R | 539053 |
| 30L | 539054 | 30R | 539055 |

*For dark tone add suffix D

4 Carrier assembly - Elan Loaner Module

| Resistance | Size | | |
|------------|-------------|-------------|-------------|
| | Small | Medium | Large |
| 68 | 409061E-LNR | 409064E-LNR | 409067E-LNR |
| 100 | 409062E-LNR | 409065E-LNR | 409068E-LNR |
| 150 | 409063E-LNR | 409066E-LNR | 409069E-LNR |

Bluetooth dongle 409093
 Clinician's manual 938317E

Elan battery charger kit 409087E

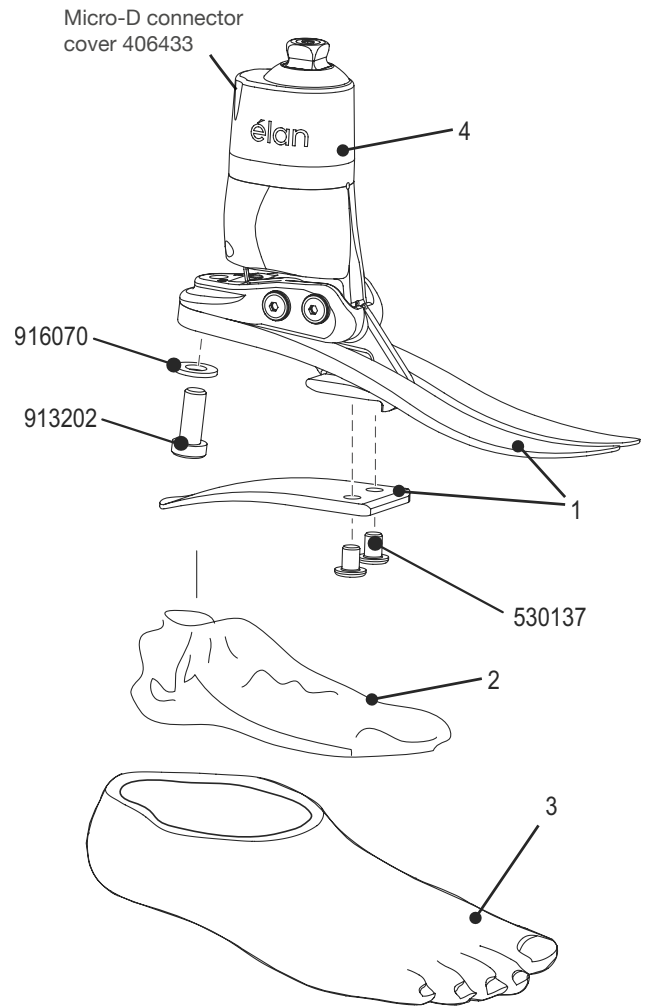
Includes:

Battery charger 950215
 Battery charger adapter (UK) 950103
 Battery charger adapter (USA) 950104
 Battery charger adapter (EURO) 950105
 Charger adapter cable 409091

Elan comms kit 406431E

Includes:

External USB bluetooth adapter 950129
 Comms cable (USB to TTL) 950928
 Comms cable adapter 409078
 Interface cable
 (micro D to comms cable adapter) 409084
 Elan software USB fob 406413E



Microprocessor-controlled hydraulic ankle/foot for terrain response and speed control.

Elan

Features

- Microprocessor controlled self-aligning plantar flexion and dorsiflexion
- Standing support mode increases resistance when stationary to help improve balance, stability, reduce effort and encourage a more natural posture
- Variable response to speed changes
- Increased plantar flexion resistance allows for more energy storage and return when walking quickly or up slopes
- Ankle remains dorsiflexed during swing phase to increase toe clearance and reduce risk of trips and falls
- Batteries contained within ankle
- Increased dorsiflexion resistance provides a brake when walking down slopes for improved safety and stability

Foot shell and glide sock included.



Specifications

| | |
|--------------------------|--|
| Max. User Weight: | 125kg* |
| Activity Level: | (2), 3, (4) |
| Size Range: | 22cm-30cm |
| Component Weight: | 920g† |
| Build Height: | 170mm sizes 22-26 175mm sizes 27-30 |
| Heel Height: | 10mm |



Suitable for outdoor use

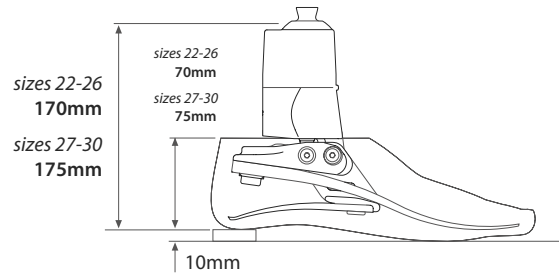
Order Example

| Product Code | Size | Side | Spring Set |
|--------------|-----------|----------|------------|
| ELAN | 25 | L | 3 |

For dark tone add suffix D.

Foot example: Elan, size 25 left, spring rating 3

Build Height



Accessories

| | |
|-----------------------------|----------------|
| Alignment Wedge | 940093 |
| Spare Battery Charger Kit | 409087E |
| Endolite Programming Tablet | 019179 |

Activity Level 2 and 4 users who would benefit from this foot will require softer or stiffer springs as appropriate for the individual. Refer to Instructions for Use for further information.

Spring set recommendations are for trans-tibial users. For trans-femoral we suggest selecting a spring set one level lower.

Activity
3

User Weight

| | | | | | | | | |
|---------|---------|---------|---------|---------|---------|---------|---------|-----|
| 44-52 | 53-59 | 60-68 | 69-77 | 78-88 | 89-100 | 101-116 | 117-125 | kg |
| 100-115 | 116-130 | 131-150 | 151-170 | 171-195 | 196-220 | 221-255 | 256-275 | lbs |

3

| | | | | | | | |
|---|---|---|---|---|---|---|---|
| 1 | 2 | 3 | 4 | 5 | 6 | 7 | 8 |
|---|---|---|---|---|---|---|---|

Spring set

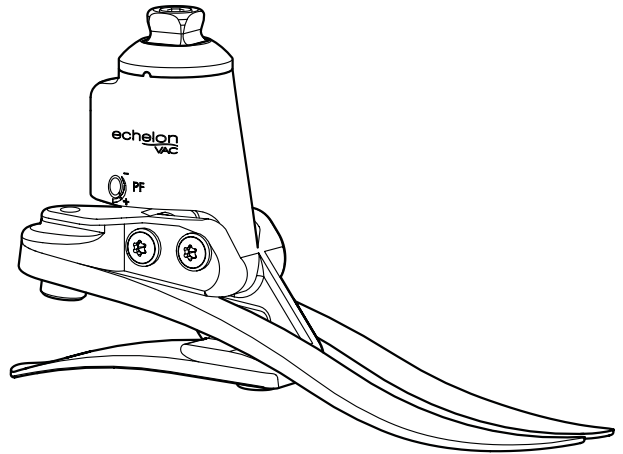


*For weights above 125kg up to 150kg contact an Endolite representative. †Component weight shown is for a size 26cm without foot shell.

EchelonVAC Schematics

1 Spring Kits

| Foot Size | Foot size | Foot size | Foot size |
|----------------|----------------|----------------|----------------|
| 22-24 | 25-26 | 27-28 | 29-30 |
| Set 1 - 539801 | Set 1 - 539810 | Set 1 - 539819 | Set 1 - 539828 |
| Set 2 - 539802 | Set 2 - 539811 | Set 2 - 539820 | Set 2 - 539829 |
| Set 3 - 539803 | Set 3 - 539812 | Set 3 - 539821 | Set 3 - 539830 |
| Set 4 - 539804 | Set 4 - 539813 | Set 4 - 539822 | Set 4 - 539831 |
| Set 5 - 539805 | Set 5 - 539814 | Set 5 - 539823 | Set 5 - 539832 |
| Set 6 - 539806 | Set 6 - 539815 | Set 6 - 539824 | Set 6 - 539833 |
| Set 7 - 539807 | Set 7 - 539816 | Set 7 - 539825 | Set 7 - 539834 |
| Set 8 - 539808 | Set 8 - 539817 | Set 8 - 539826 | Set 8 - 539835 |



2 Glide Sock

| | |
|-------------|--------|
| Sizes 22-26 | 531011 |
| Sizes 27-30 | 532811 |

3 Foot Shell*

| Left | Part Number | Right | Part Number |
|------|-------------|-------|-------------|
| 22L | 539038 | 22R | 539039 |
| 23L | 539040 | 23R | 539041 |
| 24L | 539042 | 24R | 539043 |
| 25L | 539044 | 25R | 539045 |
| 26L | 539046 | 26R | 539047 |
| 27L | 539048 | 27R | 539049 |
| 28L | 539050 | 28R | 539051 |
| 29L | 539052 | 29R | 539053 |
| 30L | 539054 | 30R | 539055 |

*For dark tone add suffix D

4 Cosmetic Interface*

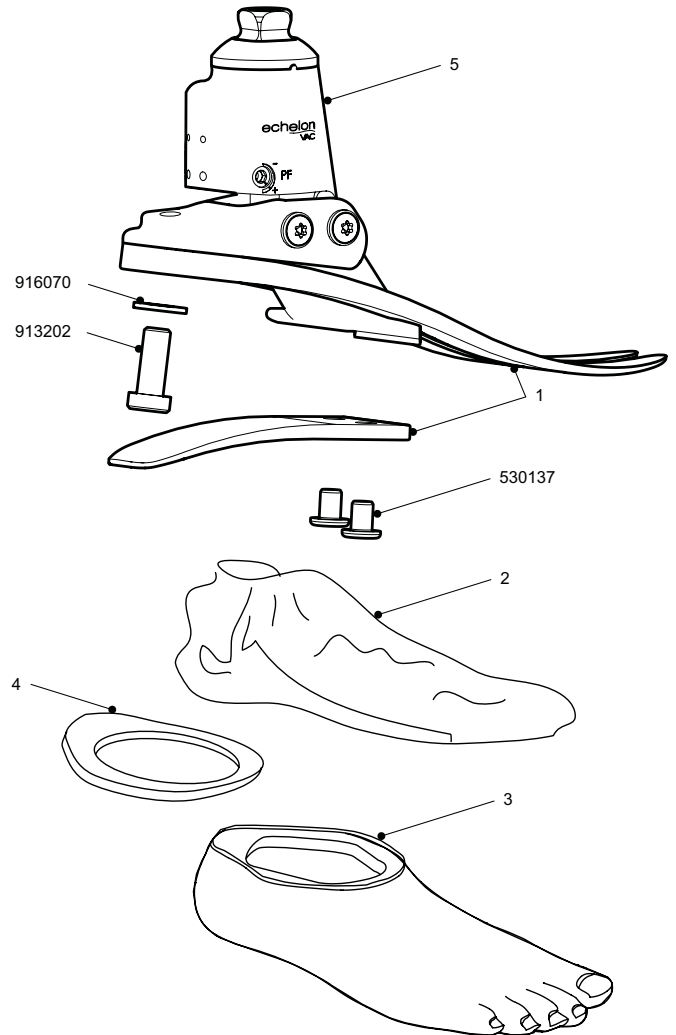
| Left | Part Number | Right | Part Number |
|------|-------------|-------|-------------|
| 22L | 530138 | 22R | 530138 |
| 23L | 530138 | 23R | 530138 |
| 24L | 530138 | 24R | 530138 |
| 25L | 531035 | 25R | 531035 |
| 26L | 531035 | 26R | 531035 |
| 27L | 531935 | 27R | 531935 |
| 28L | 531936 | 28R | 531936 |
| 29L | 532831 | 29R | 532832 |
| 30L | 532833 | 30R | 532834 |

*For dark tone add suffix D

5 Carrier Assembly

| | |
|---------------|-----------|
| Size | |
| Small: 22-24 | 409263VAC |
| Medium: 25-26 | 409363VAC |
| Large: 27-30 | 409463VAC |

Instructions for use 938367



Hydraulic ankle technology paired with an elevated vacuum system for a secure and comfortable socket connection.

EchelonVAC

Features

- Biomimetic Hydraulic Technology with integrated elevated vacuum
- Walking motion generates a natural vacuum
- No power required, quiet gentle operation
- Lightweight, compact design
- Low build height
- E-carbon springs for efficient energy return
- Split toe design for ground compliance on uneven terrain



Specifications

| | |
|--------------------------|---|
| Max. User Weight: | 125kg* |
| Activity Level: | (2), 3, (4) |
| Size Range: | 22-30cm |
| Component Weight: | 700g† |
| Maximum Vacuum: | 17" Hg |
| Build Height: | 121mm sizes 22-24 126mm sizes 25-26 131mm sizes 27-30 |
| Heel Height: | 10mm |



Suitable for outdoor use


Order Example

| Product Code | Size | Side | Spring Set |
|--------------|-----------|----------|------------|
| EVAC | 25 | L | 3 |

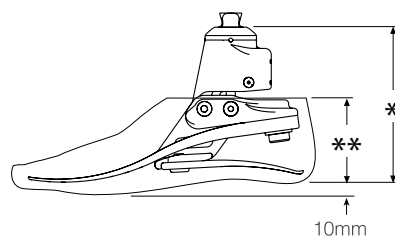
For dark tone add suffix D. Foot example: EchelonVAC, size 25 left, spring rating 3.

Accessories

Valves recommended for use with EchelonVAC can be found on page 128.

| | | |
|-------------------------|---------------|---|
| Alignment Wedge | 940093 |  |
| 4mm Adjuster Key | 940236 | |
| Socket Connection Kit | 409663 | |
| Check Valve Service Kit | 409863 | |

Build Height



| | |
|-----------------|----------------|
| * sizes | ** sizes |
| 22 - 24 = 121mm | 22 - 24 = 70mm |
| 25 - 26 = 126mm | 25 - 30 = 75mm |
| 27 - 30 = 131mm | |

Activity Level 2 and 4 users who would benefit from this foot will require softer or stiffer springs as appropriate for the individual. Refer to Instructions for Use for further information.

Spring set recommendations are for trans-tibial users. For trans-femoral we suggest selecting a spring set one level lower.

Activity
3

User Weight

| | | | | | | | | |
|---------|---------|---------|---------|---------|---------|---------|---------|-----|
| 44-52 | 53-59 | 60-68 | 69-77 | 78-88 | 89-100 | 101-116 | 117-125 | kg |
| 100-115 | 116-130 | 131-150 | 151-170 | 171-195 | 196-220 | 221-255 | 256-275 | lbs |

| | | | | | | | | |
|---|---|---|---|---|---|---|---|------------|
| 1 | 2 | 3 | 4 | 5 | 6 | 7 | 8 | Spring set |
|---|---|---|---|---|---|---|---|------------|



*Dependent on local reimbursement guidelines. May not be suitable for running or high impact activities.
†Component weight shown is for a size 26cm without foot shell.

EchelonVT Schematics

1 Spring Kits:

| Foot Size | Foot size | Foot size | Foot size |
|----------------|----------------|----------------|----------------|
| 22-24 | 25-26 | 27-28 | 29-30 |
| Set 1 - 539801 | Set 1 - 539810 | Set 1 - 539819 | Set 1 - 539828 |
| Set 2 - 539802 | Set 2 - 539811 | Set 2 - 539820 | Set 2 - 539829 |
| Set 3 - 539803 | Set 3 - 539812 | Set 3 - 539821 | Set 3 - 539830 |
| Set 4 - 539804 | Set 4 - 539813 | Set 4 - 539822 | Set 4 - 539831 |
| Set 5 - 539805 | Set 5 - 539814 | Set 5 - 539823 | Set 5 - 539832 |
| Set 6 - 539806 | Set 6 - 539815 | Set 6 - 539824 | Set 6 - 539833 |
| Set 7 - 539807 | Set 7 - 539816 | Set 7 - 539825 | Set 7 - 539834 |
| Set 8 - 539808 | Set 8 - 539817 | Set 8 - 539826 | Set 8 - 539835 |

2 Glide Sock

| | |
|----------------|---------------|
| Sizes 22 to 26 | 531011 |
| Sizes 27 to 30 | 532811 |

3 Foot shell:*

| Left | Part Number | Right | Part Number |
|------|---------------|-------|---------------|
| 22L | 539038 | 22R | 539039 |
| 23L | 539040 | 23R | 539041 |
| 24L | 539042 | 24R | 539043 |
| 25L | 539044 | 25R | 539045 |
| 26L | 539046 | 26R | 539047 |
| 27L | 539048 | 27R | 539049 |
| 28L | 539050 | 28R | 539051 |
| 29L | 539052 | 29R | 539053 |
| 30L | 539054 | 30R | 539055 |

*For dark tone add suffix D

4 Cosmetic Interface*

| Left | Part Number | Right | Part Number |
|------|---------------|-----------------------|---------------|
| 22L | 530138 | 22R | 530138 |
| 23L | 530138 | 23R | 530138 |
| 24L | 530138 | 24R | 530138 |
| 25L | 531035 | 25R | 531035 |
| 26L | 531035 | 26R <td 531035 | |
| 27L | 531935 | 27R | 531935 |
| 28L | 531936 | 28R | 531936 |
| 29L | 532831 | 29R | 532832 |
| 30L | 532833 | 30R | 532834 |

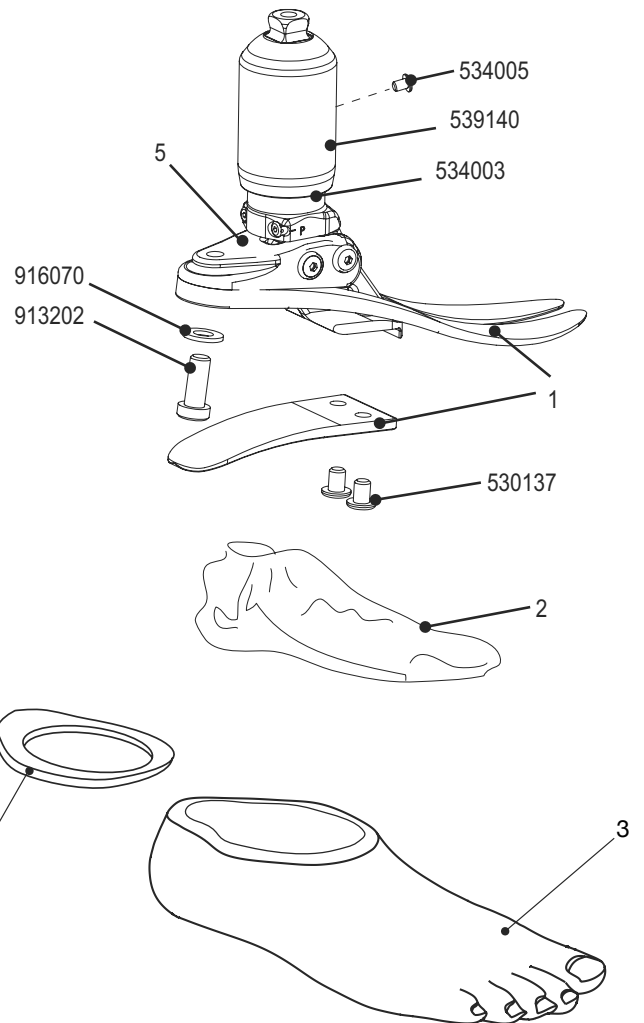
*For dark tone add suffix D

5 Carrier assembly

| Size | Rate | | | |
|--------------------|---------------|---------------|---------------|---------------|
| | 1 | 2 | 3 | 4 |
| Small: 22, 23 & 24 | 539062 | 539063 | 539064 | 539065 |
| Medium: 25 & 26 | 539066 | 539067 | 539068 | 539069 |
| Large: 27 to 30 | 539070 | 539071 | 539072 | 539073 |

Instructions for use

938315



Biomimetic hydraulic ankle/foot with shock absorber, rotation and split toe for terrain conformance.

EchelonVT

Features

- Hydraulic control of dorsi-flexion and plantar-flexion
- Dorsi-flexed toe for swing phase
- Rotation and vertical shock absorption
- Tripod action for conformance and vertical compliance
- Smooth hydraulic and spring action
- Slimline foot design
- Responsive e-carbon foot springs

Foot shell, cosmetic interface and glide sock included.



Specifications

| | |
|-----------------------------|---|
| Max. Amputee weight: | 125kg |
| Activity Level: | (2), 3, (4*) |
| Size Range: | 22cm-30cm |
| Component Weight: | 855g† |
| Build Height: | 168mm sizes 22-24 173mm sizes 25-26 178mm sizes 27-30 |
| Heel Height: | 10mm |



Order Example

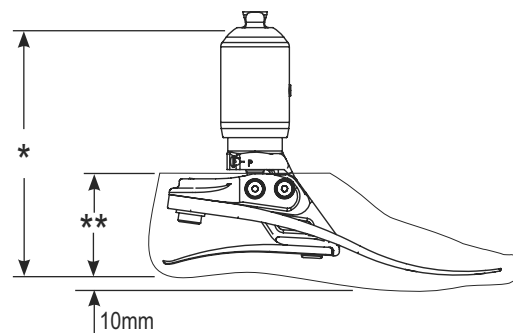
| Product Code | Size | Side | Spring Set | Axial Spring |
|--------------|-----------|----------|------------|--------------|
| ECVT | 25 | L | 5 | 2 |

For dark tone add suffix D.
Foot example: EchelonVT, size 25 left, spring rating 5, axial spring 2.

Accessories

| | | |
|------------------|---------------|---|
| Alignment Wedge | 940093 |  |
| Foot Shell Cover | 539096 |  |

Build Height



| * sizes | ** sizes |
|-----------------|----------------|
| 22 - 24 = 168mm | 22 - 24 = 70mm |
| 25 - 26 = 173mm | 25 - 30 = 75mm |
| 27 - 30 = 178mm | |

| Activity | User Weight | | | | | | | | kg lbs |
|----------|------------------|------------------|------------------|------------------|------------------|-------------------|--------------------|--------------------|--|
| | 44-52 100-115 | 53-59 116-130 | 60-68 131-150 | 69-77 151-170 | 78-88 171-195 | 89-100 196-220 | 101-116 221-255 | 117-125 256-275 | |
| 3 | 1 | 2 | 3 | 4 | 5 | 6 | 7 | 8 | Foot spring set |
| | • | •• | ••• | •••• | ••••• | •••••• | ••••••• | •••••••• | ◀ Axial shock spring rate indicated as shown |
| | 1 | 2 | 3 | 4 | 5 | 6 | 7 | 8 | ◀ Axial spring |



†Component weight shown is for a size 26cm without foot shell.

Echelon

1 Spring Kits

| Foot Size | Foot size | Foot size | Foot size |
|----------------|----------------|----------------|----------------|
| 22-24 | 25-26 | 27-28 | 29-30 |
| Set 1 - 539801 | Set 1 - 539810 | Set 1 - 539819 | Set 1 - 539828 |
| Set 2 - 539802 | Set 2 - 539811 | Set 2 - 539820 | Set 2 - 539829 |
| Set 3 - 539803 | Set 3 - 539812 | Set 3 - 539821 | Set 3 - 539830 |
| Set 4 - 539804 | Set 4 - 539813 | Set 4 - 539822 | Set 4 - 539831 |
| Set 5 - 539805 | Set 5 - 539814 | Set 5 - 539823 | Set 5 - 539832 |
| Set 6 - 539806 | Set 6 - 539815 | Set 6 - 539824 | Set 6 - 539833 |
| Set 7 - 539807 | Set 7 - 539816 | Set 7 - 539825 | Set 7 - 539834 |
| Set 8 - 539808 | Set 8 - 539817 | Set 8 - 539826 | Set 8 - 539835 |

2 Foot shell*

| Left | Part Number | Right | Part Number |
|------|-------------|-------|-------------|
| 22L | 539038 | 22R | 539039 |
| 23L | 539040 | 23R | 539041 |
| 24L | 539042 | 24R | 539043 |
| 25L | 539044 | 25R | 539045 |
| 26L | 539046 | 26R | 539047 |
| 27L | 539048 | 27R | 539049 |
| 28L | 539050 | 28R | 539051 |
| 29L | 539052 | 29R | 539053 |
| 30L | 539054 | 30R | 539055 |

3 Cosmetic Interface*

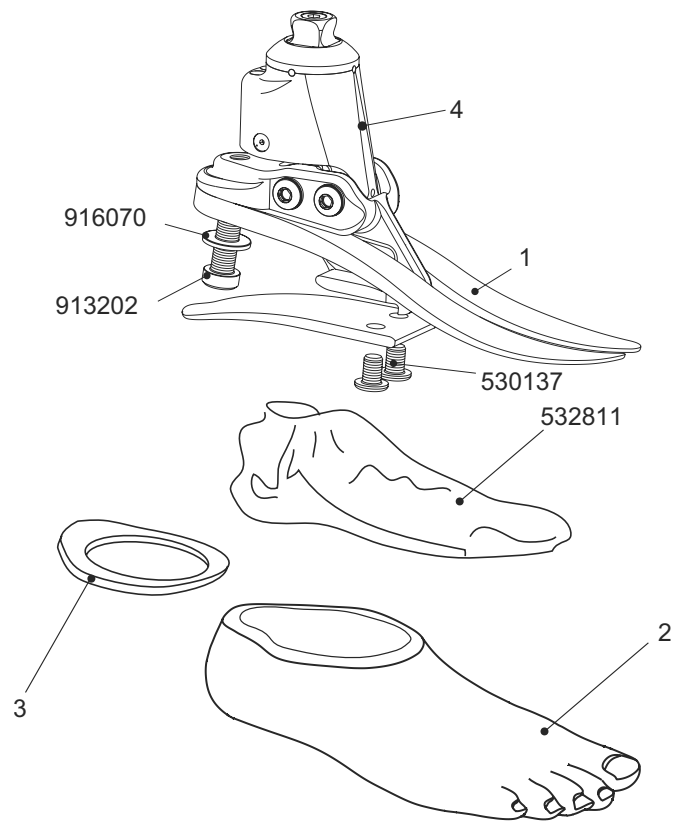
| Left | Part Number | Right | Part Number |
|------|-------------|-------|-------------|
| 22L | 530138 | 22R | 530138 |
| 23L | 530138 | 23R | 530138 |
| 24L | 530138 | 24R | 530138 |
| 25L | 531035 | 25R | 531035 |
| 26L | 531035 | 26R | 531035 |
| 27L | 531935 | 27R | 531935 |
| 28L | 531936 | 28R | 531936 |
| 29L | 532831 | 29R | 532832 |
| 30L | 532833 | 30R | 532834 |

*For dark tone add suffix D

4 Carrier Assembly:

| | |
|--------------|--------|
| Small 22-24 | 409263 |
| Medium 25-26 | 409363 |
| Large 27-30 | 409463 |

Instructions for use 938280



Echelon

Biomimetic hydraulic ankle control and split toe for stability on uneven or sloping terrain.

Features

- Independent hydraulic control of plantar and dorsi-flexion
- Biomimetic design simulates natural ankle motion
- Toe up for swing through clearance
- Natural toe position for sitting
- e-carbon heel and toe springs
- Elegant and compact for cosmetic finish

Foot shell, cosmetic interface and glide sock included.



Specifications

| | |
|--------------------------|---|
| Max. User Weight: | 125kg |
| Activity Level: | (2), 3, (4*) |
| Size Range: | 22cm-30cm |
| Component Weight: | 688g† |
| Build Height: | 115mm sizes 22-24 120mm sizes 25-26 125mm sizes 27-30 |
| Heel Height: | 10mm |



Suitable for submersion

Order Example

| Product Code | Size | Side | Spring Set |
|--------------|-----------|----------|------------|
| EC | 25 | L | 5 |

For dark tone add suffix D.

Foot example: Echelon, size 25 left, spring rating 5.

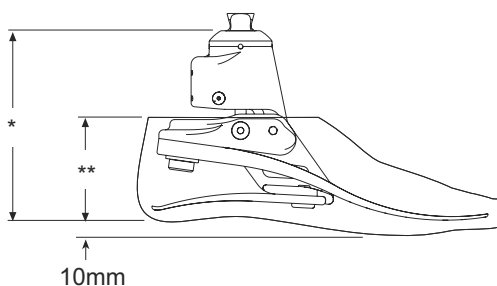
Accessories

Alignment Wedge

940093



Build Height



* sizes
22 - 24 = 115mm
25 - 26 = 120mm
27 - 30 = 125mm

** sizes
22 - 24 = 70mm
25 - 30 = 75mm

Activity Level 2 and 4* users who would benefit from this foot will require softer or stiffer springs as appropriate for the individual. Refer to Instructions for Use for further information.

Spring set recommendations are for trans-tibial users. For trans-femoral we suggest selecting a spring set one level lower.

*Maximum user weight 100kg and always use one higher spring rate category than shown in the Spring Set Selection table.

Activity
3

User Weight

| | | | | | | | | |
|---------|---------|---------|---------|---------|---------|---------|---------|-----|
| 44-52 | 53-59 | 60-68 | 69-77 | 78-88 | 89-100 | 101-116 | 117-125 | kg |
| 100-115 | 116-130 | 131-150 | 151-170 | 171-195 | 196-220 | 221-255 | 256-275 | lbs |

| | | | | | | | | |
|---|---|---|---|---|---|---|---|------------|
| 1 | 2 | 3 | 4 | 5 | 6 | 7 | 8 | Spring set |
|---|---|---|---|---|---|---|---|------------|



†Component weight shown is for a size 26cm without foot shell.

Elite2 Schematics

1 Spring Kits

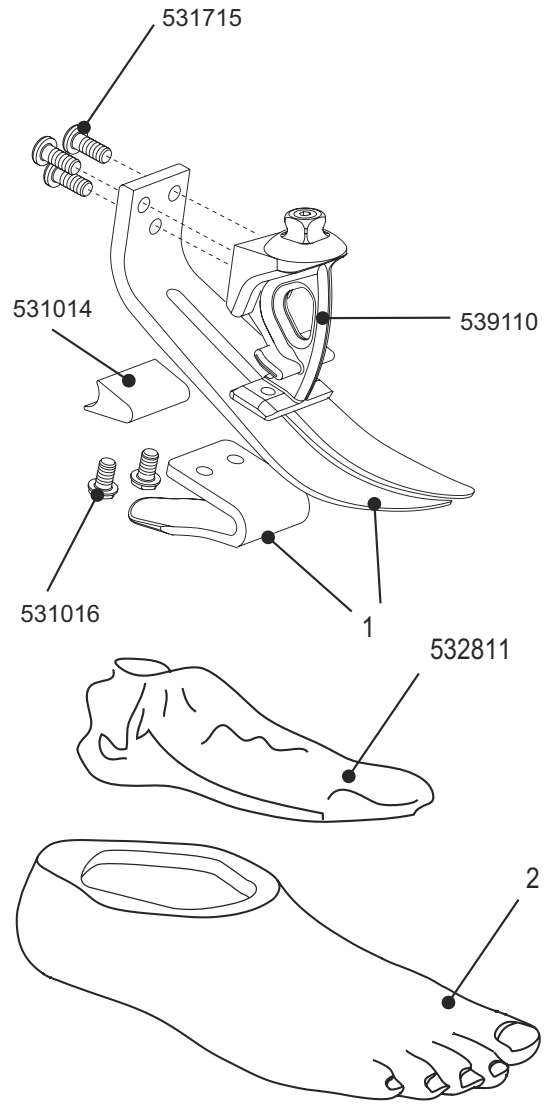
| Foot Size | Foot size | Foot size |
|----------------|----------------|--------------------|
| 24-26 | 27-28 | 29-30 |
| Set 1 - 539710 | Set 1 - 539719 | Set 1 - Special |
| Set 2 - 539711 | Set 2 - 539720 | Set 2 - order only |
| Set 3 - 539712 | Set 3 - 539721 | Set 3 - 539730 |
| Set 4 - 539713 | Set 4 - 539722 | Set 4 - 539731 |
| Set 5 - 539714 | Set 5 - 539723 | Set 5 - 539732 |
| Set 6 - 539715 | Set 6 - 539724 | Set 6 - 539733 |
| Set 7 - 539716 | Set 7 - 539725 | Set 7 - 539734 |
| Set 8 - 539717 | Set 8 - 539726 | Set 8 - 539735 |
| Set 9 - 539718 | Set 9 - 539727 | Set 9 - 539736 |

2 Foot shell:*

| Left | Part Number | Right | Part Number |
|------|-------------|----------------|-------------|
| 24L | 539005 | 24R | 539006 |
| 25L | 539007 | 25R | 539008 |
| 26L | 539009 | 26R | 539010 |
| 27L | 539011 | 27R | 539012 |
| 28L | 539013 | 28R | 539014 |
| 29L | 539015 | 29R <td 539016 | |
| 30L | 539017 | 30R | 539018 |

*For dark tone add suffix D

Instructions for use 938223



Build part numbers are for assembly guidance only and may not be for sale separately.

Lightweight activity foot for efficient energy return.

Elite2

Features

- Enhanced e-carbon foot springs
- Ground compliance from Tripod System™
- Split toe
- Lightweight design
- Variable spring stiffness heel wedge
- Low build height and easy to finish

Foot shell and glide sock included.



Specifications

| | |
|--------------------------|-------------------|
| Max. User Weight: | 166kg |
| Activity Level: | (2), 3, 4 |
| Size Range: | 24cm-30cm |
| Component Weight: | 420g [†] |
| Build Height: | 130mm |
| Heel Height: | 10mm |



Suitable for submersion

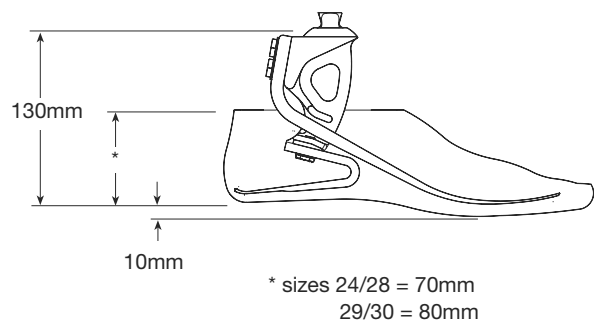
Order Example

| Product Code | Size | Side | Spring Set |
|--------------|-----------|----------|------------|
| EL | 25 | L | 5 |

For dark tone add suffix D.

Foot example: Elite2, size 25 left, spring rating 5.

Build Height



| Impact | Activity | User Weight | | | | | | | | | | Foot spring set |
|--------|----------|-------------|-------|-------|-------|-------|--------|---------|---------|---------|------------|-----------------|
| | | 44-52 | 53-59 | 60-68 | 69-77 | 78-88 | 89-100 | 101-116 | 117-130 | 131-147 | 148-166 kg | |
| Low | 3 | 1 | 1 | 2 | 3 | 4 | 5 | 6 | 7 | 8 | 9 | |
| Mod | 4 | 1 | 2 | 3 | 4 | 5 | 6 | 7 | 8 | 9 | - | |
| High | 4 | 2 | 3 | 4 | 5 | 6 | 7 | 8 | 9 | - | - | |

Spring set recommendations are for trans-tibial users. For trans-femoral use we suggest selecting a spring set one level lower.

[†]Component weight shown is for a size 26cm without foot shell.

EliteVT Schematics

1 Spring Kits

| Foot Size | Foot Size | Foot Size |
|-----------|-----------|-----------|
| 24-26 | 27-28 | 29-30 |

| | | |
|----------------|----------------|--------------------|
| Set 1 - 539710 | Set 1 - 539719 | Set 1 - Special |
| Set 2 - 539711 | Set 2 - 539720 | Set 2 - order only |
| Set 3 - 539712 | Set 3 - 539721 | Set 3 - 539730 |
| Set 4 - 539713 | Set 4 - 539722 | Set 4 - 539731 |
| Set 5 - 539714 | Set 5 - 539723 | Set 5 - 539732 |
| Set 6 - 539715 | Set 6 - 539724 | Set 6 - 539733 |
| Set 7 - 539716 | Set 7 - 539725 | Set 7 - 539734 |
| Set 8 - 539717 | Set 8 - 539726 | Set 8 - 539735 |
| Set 9 - 539718 | Set 9 - 539727 | Set 9 - 539736 |

2 Foot shells*

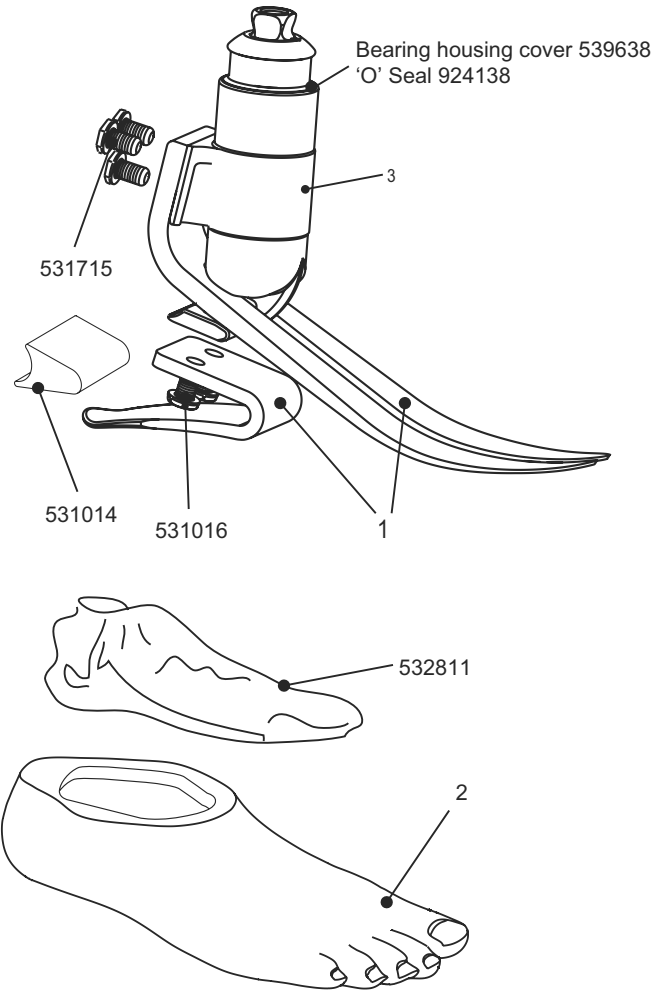
| Left | Part Number | Right | Part Number |
|------|-------------|-------|-------------|
| 24L | 539005 | 24R | 539006 |
| 25L | 539007 | 25R | 539008 |
| 26L | 539009 | 26R | 539010 |
| 27L | 539011 | 27R | 539012 |
| 28L | 539013 | 28R | 539014 |
| 29L | 539015 | 29R | 539016 |
| 30L | 539017 | 30R | 539018 |

*For dark tone add suffix D

3 Carrier assembly

| | |
|-----------------|---------------------------------|
| Rate 1 - 539138 | Axial Shock Springs (not shown) |
| Rate 2 - 539238 | Rate 1 - 539058 |
| Rate 3 - 539338 | Rate 2 - 539059 |
| Rate 4 - 539438 | Rate 3 - 539060 |
| | Rate 4 - 539061 |

Instructions for use 938289



Active foot with integral shock absorption, rotation and flexibility.

EliteVT

Features

- Precision titanium spring for vertical compression and axial rotation
- Progressive response to axial loading
- Controlled and efficient energy return
- Independent e-carbon foot springs
- Variable spring stiffness heel wedge
- Compact, low maintenance and cosmetic

Foot shell and glide sock included.



Specifications

| | |
|--------------------------|-----------|
| Max. User Weight: | 166kg |
| Activity Level: | 3-4 |
| Max. Rotation: | +/-15deg |
| Size Range: | 24cm-30cm |
| Component Weight: | 750g† |
| Build Height: | 170mm |
| Heel Height: | 10mm |



Suitable for outdoor use

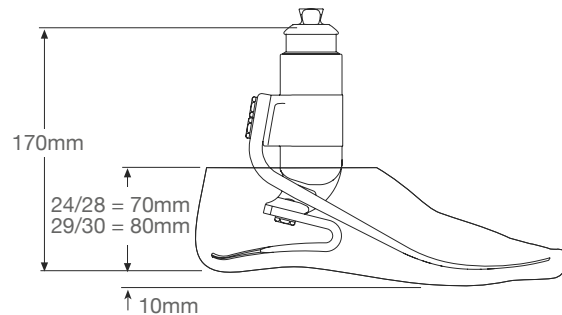
Order Example

| Product Code | Size | Side | Spring Set | Shock Spring |
|--------------|-----------|----------|------------|--------------|
| EVT | 25 | L | 7 | 3 |

For dark tone add suffix D.

Foot example: EliteVT, size 25 left, spring set 7, shock spring 3.

Build Height



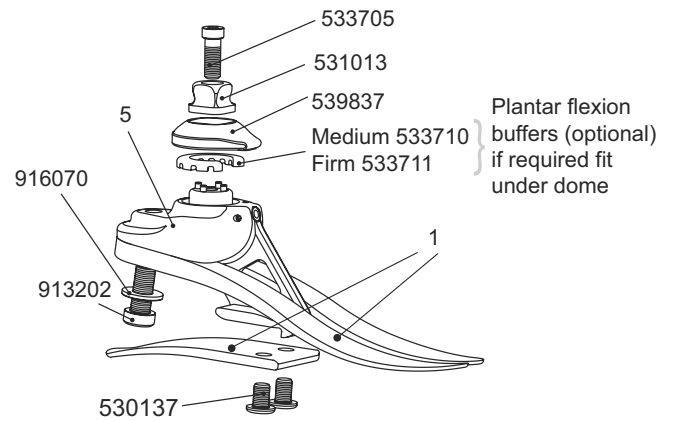
| Impact Activity | User Weight | | | | | | | | | | Foot spring set |
|---|------------------|------------------|------------------|------------------|------------------|-------------------|--------------------|--------------------|--------------------|--------------------|-----------------|
| | 44-52 100-115 | 53-59 116-130 | 60-68 131-150 | 69-77 151-170 | 78-88 171-195 | 89-100 196-220 | 101-116 221-255 | 117-130 256-285 | 131-147 286-325 | 148-166 326-365 | |
| Low 3 | 1 | 1 | 2 | 3 | 4 | 5 | 6 | 7 | 8 | 9 | 4 3 |
| Mod 4 | 1 | 2 | 3 | 4 | 5 | 6 | 7 | 8 | 9 | - | |
| High 4 | 2 | 3 | 4 | 5 | 6 | 7 | 8 | 9 | - | - | |
| Spring set recommendations are for trans-tibial users. For trans-femoral use we suggest selecting a spring set one level lower. | | ♣ 1 | ♣ 2 | ♣ 3 | ♣ 4 | | | | | | |

†Component weight shown is for a size 26cm without foot shell.

Epirus Schematics

1 Spring Kits

| Foot Size | Foot size | Foot size | Foot size |
|----------------|----------------|----------------|----------------|
| 22-24 | 25-26 | 27-28 | 29-30 |
| Set 1 - 539801 | Set 1 - 539810 | Set 1 - 539819 | Set 1 - 539828 |
| Set 2 - 539802 | Set 2 - 539811 | Set 2 - 539820 | Set 2 - 539829 |
| Set 3 - 539803 | Set 3 - 539812 | Set 3 - 539821 | Set 3 - 539830 |
| Set 4 - 539804 | Set 4 - 539813 | Set 4 - 539822 | Set 4 - 539831 |
| Set 5 - 539805 | Set 5 - 539814 | Set 5 - 539823 | Set 5 - 539832 |
| Set 6 - 539806 | Set 6 - 539815 | Set 6 - 539824 | Set 6 - 539833 |
| Set 7 - 539807 | Set 7 - 539816 | Set 7 - 539825 | Set 7 - 539834 |
| Set 8 - 539808 | Set 8 - 539817 | Set 8 - 539826 | Set 8 - 539835 |



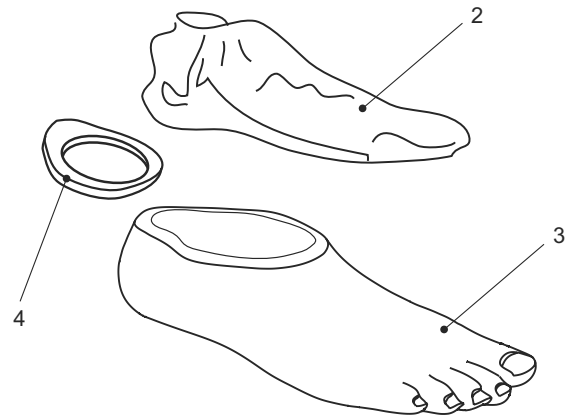
2 Glide Sock

Sizes 22 to 26
 Sizes 27 to 30

531011
 532811

3 Foot shell*

| Left | Part Number | Right | Part Number |
|------|-------------|-------|-------------|
| 22L | 539038 | 22R | 539039 |
| 23L | 539040 | 23R | 539041 |
| 24L | 539042 | 24R | 539043 |
| 25L | 539044 | 25R | 539045 |
| 26L | 539046 | 26R | 539047 |
| 27L | 539048 | 27R | 539049 |
| 28L | 539050 | 28R | 539051 |
| 29L | 539052 | 29R | 539053 |
| 30L | 539054 | 30R | 539055 |



4 Cosmetic Interface*

| Left | Part Number | Right | Part Number |
|------|-------------|-------|-------------|
| 22L | 530138 | 22R | 530138 |
| 23L | 530138 | 23R | 530138 |
| 24L | 530138 | 24R | 530138 |
| 25L | 531035 | 25R | 531035 |
| 26L | 531035 | 26R | 531035 |
| 27L | 531935 | 27R | 531935 |
| 28L | 531936 | 28R | 531936 |
| 29L | 532831 | 29R | 532832 |
| 30L | 532833 | 30R | 532834 |

*For dark tone add suffix D

5 Carrier Assembly

| | |
|--------------|--------|
| Small 22-24 | 539437 |
| Medium 25-26 | 539537 |
| Large 27-30 | 539637 |

Instructions for use 938276

Low profile foot with ankle joint and split toe.

Epirus

Features

- Multi-axial ankle motion with tripod stability
- Independent e-carbon foot springs
- Choice of PF and DF stiffness
- Ground compliance and energy efficient response
- Foot shell with cosmetic attachment plate

Foot shell, cosmetic interface and glide sock included.



Specifications

| | |
|--------------------------|-------------------|
| Max. User Weight: | 125kg |
| Activity Level: | (2), 3, (4*) |
| Size Range: | 22cm-30cm |
| Component Weight: | 400g [†] |
| Build Height: | 85mm |
| Heel Height: | 10mm |



Suitable for outdoor use

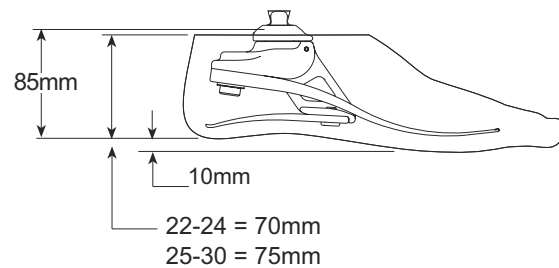
Order Example

| Product Code | Size | Side | Spring Set |
|--------------|------|------|------------|
| EP | 25 | L | 5 |

For dark tone add suffix D.

Foot example: Epirus, size 25 left, spring rating 5.

Build Height



Activity Level 2 and 4* users who would benefit from this foot will require softer or stiffer springs as appropriate for the individual. Refer to Instructions for Use for further information.

Spring set recommendations are for trans-tibial users. For trans-femoral we suggest selecting a spring set one level lower.

*Maximum user weight 100kg and always use one higher spring rate category than shown in the Spring Set Selection table.

Activity
3

User Weight

| | | | | | | | | |
|---------|---------|---------|---------|---------|---------|---------|---------|-----|
| 44-52 | 53-59 | 60-68 | 69-77 | 78-88 | 89-100 | 101-116 | 117-125 | kg |
| 100-115 | 116-130 | 131-150 | 151-170 | 171-195 | 196-220 | 221-255 | 256-275 | lbs |

| | | | | | | | |
|---|---|---|---|---|---|---|---|
| 1 | 2 | 3 | 4 | 5 | 6 | 7 | 8 |
|---|---|---|---|---|---|---|---|

Spring set

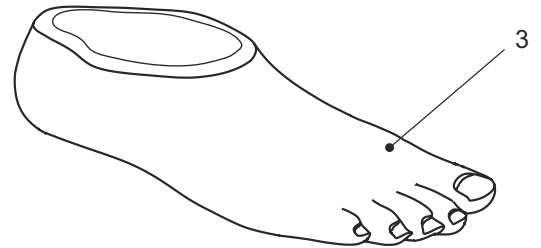
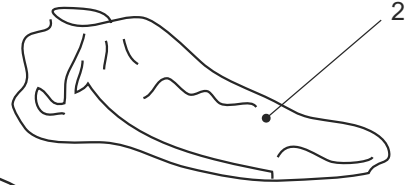
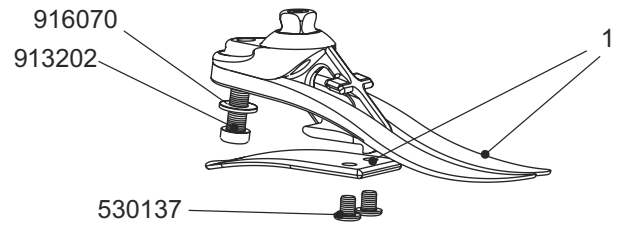


[†]Component weight shown is for a size 26cm without foot shell.

Esprit Schematics

1 Spring Kits

| Foot Size | Foot size | Foot size | Foot size |
|----------------|----------------|----------------|----------------|
| 22-24 | 25-26 | 27-28 | 29-30 |
| Set 1 - 539801 | Set 1 - 539810 | Set 1 - 539819 | Set 1 - 539828 |
| Set 2 - 539802 | Set 2 - 539811 | Set 2 - 539820 | Set 2 - 539829 |
| Set 3 - 539803 | Set 3 - 539812 | Set 3 - 539821 | Set 3 - 539830 |
| Set 4 - 539804 | Set 4 - 539813 | Set 4 - 539822 | Set 4 - 539831 |
| Set 5 - 539805 | Set 5 - 539814 | Set 5 - 539823 | Set 5 - 539832 |
| Set 6 - 539806 | Set 6 - 539815 | Set 6 - 539824 | Set 6 - 539833 |
| Set 7 - 539807 | Set 7 - 539816 | Set 7 - 539825 | Set 7 - 539834 |
| Set 8 - 539808 | Set 8 - 539817 | Set 8 - 539826 | Set 8 - 539835 |



2 Glide Sock

Sizes 22 to 26
 Sizes 27 to 30

531011
 532811

3 Foot shell*

| Left | Part Number | Right | Part Number |
|------|-------------|-------|-------------|
| 22L | 539038 | 22R | 539039 |
| 23L | 539040 | 23R | 539041 |
| 24L | 539042 | 24R | 539043 |
| 25L | 539044 | 25R | 539045 |
| 26L | 539046 | 26R | 539047 |
| 27L | 539048 | 27R | 539049 |
| 28L | 539050 | 28R | 539051 |
| 29L | 539052 | 29R | 539053 |
| 30L | 539054 | 30R | 539055 |

4 Cosmetic Interface*

| Left | Part Number | Right | Part Number |
|------|-------------|-------|-------------|
| 22L | 530138 | 22R | 530138 |
| 23L | 530138 | 23R | 530138 |
| 24L | 530138 | 24R | 530138 |
| 25L | 531035 | 25R | 531035 |
| 26L | 531035 | 26R | 531035 |
| 27L | 531935 | 27R | 531935 |
| 28L | 531936 | 28R | 531936 |
| 29L | 532831 | 29R | 532832 |
| 30L | 532833 | 30R | 532834 |

*For dark tone add suffix D

Instructions for use

938264

Low profile foot with split toe springs for energy response.

Esprit

Features

- Low profile foot with e-carbon springs
- Lightweight and easy to finish
- Tripod design with split toe
- Ideal for longer residual limbs or where additional components are required

Foot shell, cosmetic interface and glide sock included.



Specifications

| | |
|--------------------------|---|
| Max. User Weight: | 125kg |
| Activity Level: | (2), 3, (4*) |
| Size Range: | 22cm-30cm |
| Component Weight: | 317g† |
| Build Height: | 65mm size 22-24 70mm size 25-26 75mm size 27-30 |
| Heel Height: | 10mm |



Suitable for submersion

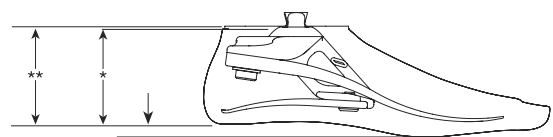
Order Example

| Product Code | Size | Side | Spring Set |
|--------------|------|------|------------|
| ESP | 25 | L | 5 |

For dark tone add suffix D.

Foot example: Esprit, size 25 left, spring rating 5.

Build Height



10mm

** sizes
22-24 = 70mm
25-30 = 75mm

* sizes
22-24 = 65mm
25-26 = 70mm
27-30 = 75mm

Activity Level 2 and 4* users who would benefit from this foot will require softer or stiffer springs as appropriate for the individual. Refer to Instructions for Use for further information.

Spring set recommendations are for trans-tibial users. For trans-femoral we suggest selecting a spring set one level lower.

*Maximum user weight 100kg and always use one higher spring rate category than shown in the Spring Set Selection table.

Activity
3

User Weight

| | | | | | | | | |
|---------|---------|---------|---------|---------|---------|---------|---------|-----|
| 44-52 | 53-59 | 60-68 | 69-77 | 78-88 | 89-100 | 101-116 | 117-125 | kg |
| 100-115 | 116-130 | 131-150 | 151-170 | 171-195 | 196-220 | 221-255 | 256-275 | lbs |

| | | | | | | | |
|---|---|---|---|---|---|---|---|
| 1 | 2 | 3 | 4 | 5 | 6 | 7 | 8 |
|---|---|---|---|---|---|---|---|

Spring set



†Component weight shown is for a size 26cm without foot shell.

Elite Blade Schematics

1 Spring Kits:

| Foot Size | Foot Size | Foot Size |
|----------------|----------------|--------------------|
| 24-26 | 27-28 | 29-30 |
| Set 1 - 539610 | Set 1 - 539619 | Set 1 - Special |
| Set 2 - 539611 | Set 2 - 539620 | Set 2 - order only |
| Set 3 - 539612 | Set 3 - 539621 | Set 3 - 539630 |
| Set 4 - 539613 | Set 4 - 539622 | Set 4 - 539631 |
| Set 5 - 539614 | Set 5 - 539623 | Set 5 - 539632 |
| Set 6 - 539615 | Set 6 - 539624 | Set 6 - 539633 |
| Set 7 - 539616 | Set 7 - 539625 | Set 7 - 539634 |
| Set 8 - 539617 | Set 8 - 539626 | Set 8 - 539635 |
| Set 9 - 539618 | Set 9 - 539627 | Set 9 - 539636 |

2 Glide Sock: All sizes - 532811

3 Foot shells:*

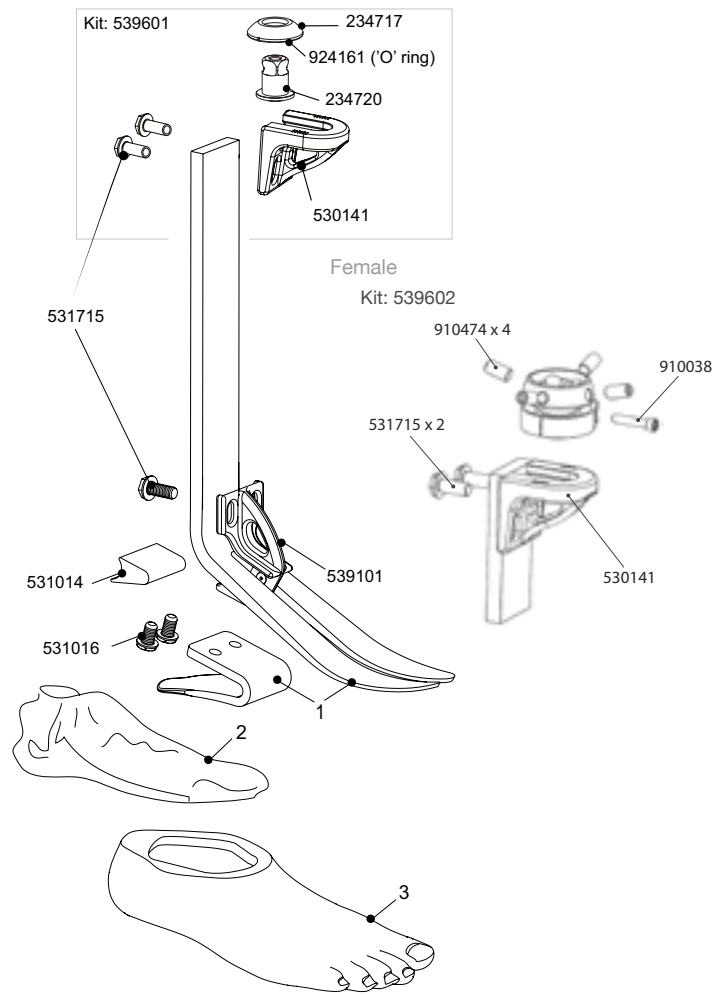
| Left | Part Number | Right | Part Number |
|------|-------------|-------|-------------|
| 24L | 539005 | 24R | 539006 |
| 25L | 539007 | 25R | 539008 |
| 26L | 539009 | 26R | 539010 |
| 27L | 539011 | 27R | 539012 |
| 28L | 539013 | 28R | 539014 |
| 29L | 539015 | 29R | 539016 |
| 30L | 539017 | 30R | 539018 |

*For dark tone add suffix D

Fitting Clamp:

Elite Blade Cutting Jig 941255
Use also as cutting and drilling guide. Available separately.

Instructions For Use 938295



Build part numbers are for assembly guidance only and may not be for sale separately.

Flexible and lightweight blade for high energy return.

Elite Blade

Features

- e-carbon foot with independent springs
- Lightweight with dynamic forward progression
- Spring range from low to high impact
- Variable spring stiffness heel wedge
- Male or female sliding & rotating housings

Foot shell and glide sock included.

Specifications

| | |
|--------------------------|---------------------------|
| Max. User Weight: | 166kg |
| Activity Level: | 3-4 |
| Size Range: | 24cm-30cm |
| Component Weight: | 500g [†] |
| Build Height: | 200mm - 365mm (min - max) |
| Heel Height: | 10mm |






Order Example

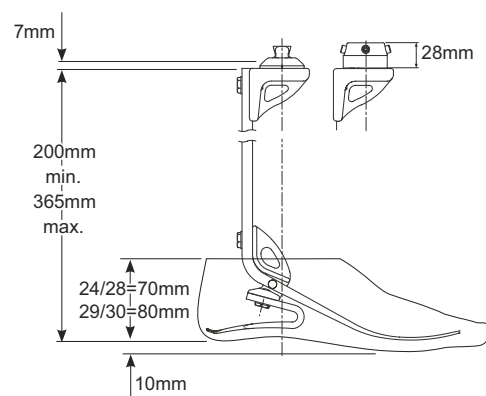
| Product Code | Size | Side | Spring Set | + Top Housing |
|--------------|-----------|----------|------------|----------------|
| EB | 25 | L | 5 | Adapter |

For dark tone add suffix D.
Foot examples: Elite Blade, size 25 left, spring rating 5

Accessories

| | | |
|--------------------|---------------|---|
| Foot Shell Cover | 539087 |  |
| Top housing male | 539601 |  |
| Top housing female | 539602 |  |

Build Height

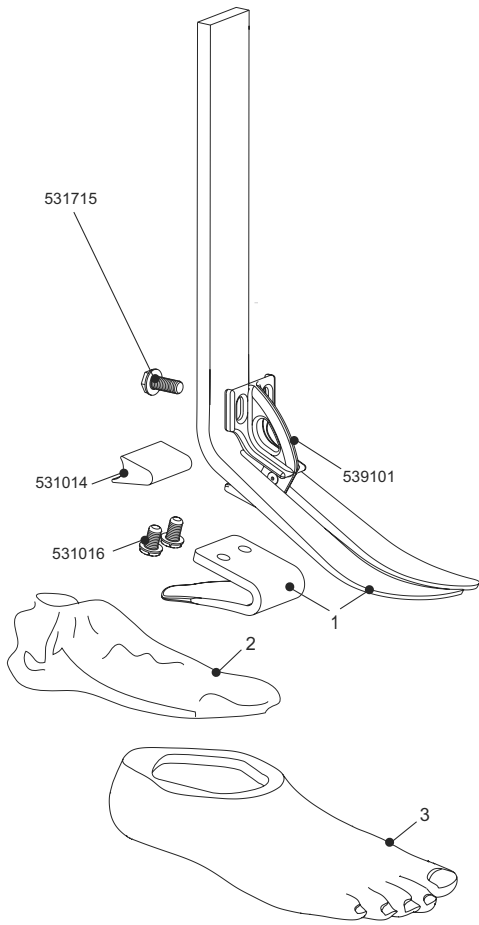


| Impact | Activity | User Weight | | | | | | | | | | Foot spring set |
|--------|----------|------------------|------------------|------------------|------------------|------------------|-------------------|--------------------|--------------------|--------------------|---------------------------|-----------------|
| | | 44-52 100-115 | 53-59 116-130 | 60-68 131-150 | 69-77 151-170 | 78-88 171-195 | 89-100 196-220 | 101-116 221-255 | 117-130 256-285 | 131-147 286-325 | 148-166 kg 326-365 lbs | |
| Low 3 | | 1 | 1 | 2 | 3 | 4 | 5 | 6 | 7 | 8 | 9 | 4 3 |
| Mod 4 | | 1 | 2 | 3 | 4 | 5 | 6 | 7 | 8 | 9 | - | |
| High 4 | | 2 | 3 | 4 | 5 | 6 | 7 | 8 | 9 | - | - | |

Spring set recommendations are for trans-tibial users. For trans-femoral use we suggest selecting a spring set one level lower.

[†]Component weight shown is for a size 26cm without foot shell.

Elite BladeVT Schematics



1 Spring Kits

| Foot Size | Foot Size | Foot Size |
|----------------|----------------|--------------------|
| 24-26 | 27-28 | 29-30 |
| Set 1 - 539610 | Set 1 - 539619 | Set 1 - Special |
| Set 2 - 539611 | Set 2 - 539620 | Set 2 - order only |
| Set 3 - 539612 | Set 3 - 539621 | Set 3 - 539630 |
| Set 4 - 539613 | Set 4 - 539622 | Set 4 - 539631 |
| Set 5 - 539614 | Set 5 - 539623 | Set 5 - 539632 |
| Set 6 - 539615 | Set 6 - 539624 | Set 6 - 539633 |
| Set 7 - 539616 | Set 7 - 539625 | Set 7 - 539634 |
| Set 8 - 539617 | Set 8 - 539626 | Set 8 - 539635 |
| Set 9 - 539618 | Set 9 - 539627 | Set 9 - 539636 |

2 Glide Sock: All sizes - 532811

3 Foot shells:*

| Left | Part Number | Right | Part Number |
|------|-------------|-------|-------------|
| 24L | 539005 | 24R | 539006 |
| 25L | 539007 | 25R | 539008 |
| 26L | 539009 | 26R | 539010 |
| 27L | 539011 | 27R | 539012 |
| 28L | 539013 | 28R | 539014 |
| 29L | 539015 | 29R | 539016 |
| 30L | 539017 | 30R | 539018 |

*For dark tone add suffix D

Fitting clamp - 941255 fitting clamp for alignment and set-up.
Use also as cutting and drilling guide. Available separately

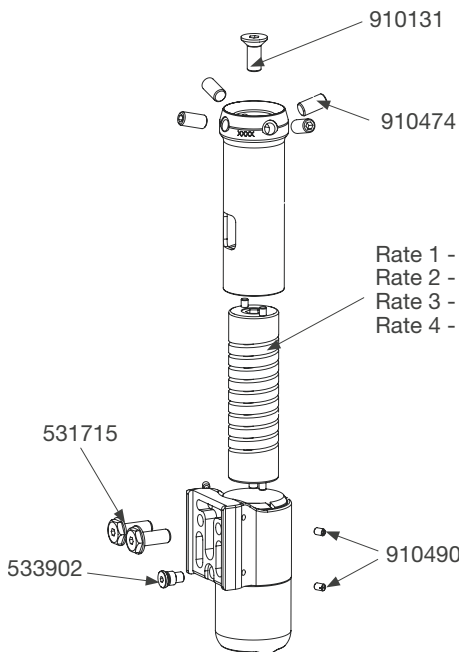
VT (male): VTM1, VTM2, VTM3, VTM4.

VT (female): VTF1, VTF2, VTF3, VTF4.

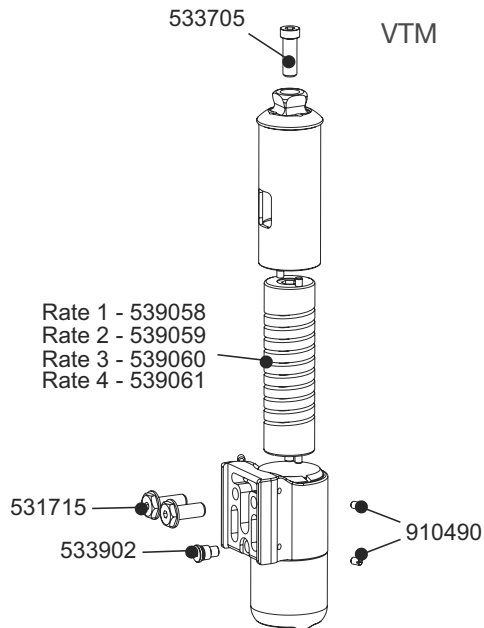
VT cutting jig - 941256

Instructions for Use:

| | |
|-------------|--------|
| Elite Blade | 938295 |
| VTM | 938312 |
| VTF | 938319 |
| Cutting Jig | 938314 |



VTF



VTM

Build part numbers are for assembly guidance only and may not be for sale separately.

Flexible blade with shock absorption and rotation device.

Elite BladeVT

Features

- Powerful and dynamic forward progression
- Precision machined spring for vertical compression and axial rotation
- Controlled and efficient energy return
- Independent e-carbon foot springs
- Variable spring stiffness heel wedge
- Slimline design is easy to finish

Foot shell and glide sock included.

Specifications

| | |
|--------------------------|---------------------------|
| Max. User Weight: | 166kg |
| Activity Level: | 3-4 |
| Max. Rotation | +/-15deg |
| Size Range: | 24cm-30cm |
| Component Weight: | 1030g† |
| Build Height VTM: | 215mm - 380mm (min - max) |
| Build Height VTF: | 233mm - 398mm (min - max) |
| Heel Height: | 10mm |



Suitable for outdoor use

Order Example

| Product Code | Size | Side | Spring Selection | VT Selection | |
|--------------|-----------|----------|------------------|--|--|
| EB | 25 | L | 5 | Male VTM1 VTM2 VTM3 VTM4 | Female VTF1 VTF2 VTF3 VTF4 |

For dark tone add suffix D.

Foot example: Elite BladeVT, size 25 left, spring rating 5.

Accessories

Foot Shell Cover

539087



Tools



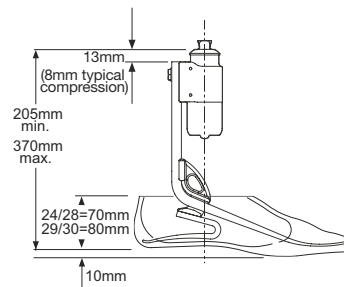
Cutting/drill & fitting jig

VT 941256

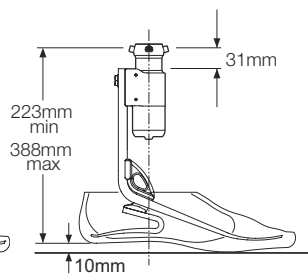
Blade 941255

Build Height

VTM:



VTF:



| Impact Activity | User Weight | | | | | | | | | | Foot spring set |
|---|------------------|------------------|------------------|------------------|------------------|-------------------|--------------------|--------------------|--|---------------------------|-----------------|
| | 44-52 100-115 | 53-59 116-130 | 60-68 131-150 | 69-77 151-170 | 78-88 171-195 | 89-100 196-220 | 101-116 221-255 | 117-130 256-285 | 131-147 286-325 | 148-166 kg 326-365 lbs | |
| Low 3 | 1 | 1 | 2 | 3 | 4 | 5 | 6 | 7 | 8 | 9 | Foot spring set |
| Mod 4 | 1 | 2 | 3 | 4 | 5 | 6 | 7 | 8 | 9 | - | |
| High 4 | 2 | 3 | 4 | 5 | 6 | 7 | 8 | 9 | - | - | |
| Spring set recommendations are for trans-tibial users. For trans-femoral use we suggest selecting a spring set one level lower. | | ♣ | ♣ | | ♣ | | ♣ | | ◀ Axial shock rate spring indicated as shown | | |
| | | 1 | 2 | | 3 | | 4 | | ◀ Axial shock spring | | |



†Component weight shown is for a size 26cm without foot shell.

BladeXT Schematics

1 BXT Heel Spring Kits

Include the overmoulded cover, fasteners and heel wedge.

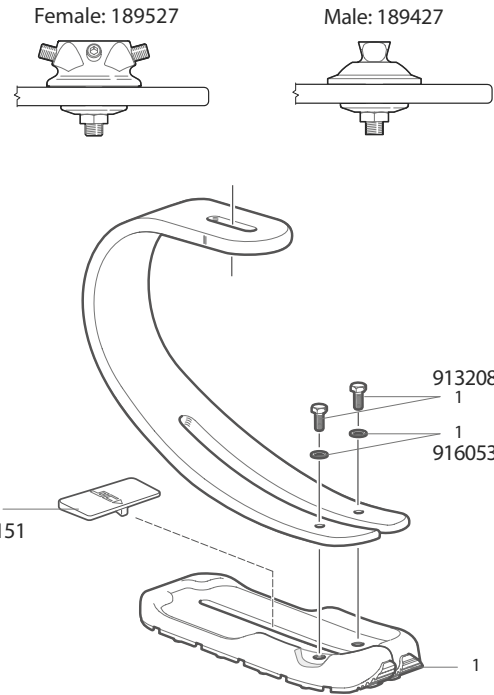
| Spring Category | Heel Type | Part No. |
|-----------------|---------------|----------|
| 1, 2 | Soft Sports | 539083SS |
| 3, 4, 5 | Medium Sports | 539083MS |
| 6, 7 | Firm Sports | 539083FS |

Proximal Adapter

| | |
|--------|--------|
| Male | 189427 |
| Female | 189527 |

Instructions for use **938345**

Build part numbers are for assembly guidance only and may not be for sale separately.



Sports blade with powerful twin toe spring and traction heel for postural support and grip.

BladeXT

Features

- Ideal for cross training, running, bat and ball sports
- Controlled acceleration and deceleration
- Ease of alignment incl. A/P slide
- Variable spring stiffness heel wedge
- Heel stiffness adjustment

Specifications

| | |
|--------------------------|--|
| Max. User Weight: | 166kg |
| Activity Level: | 4 |
| Spring range: | 1-9 |
| Component Weight: | 850g cat. 6 |
| Build Height: | 250mm (female pyramid) 230mm (male pyramid) |



Suitable for submersion

Order Example

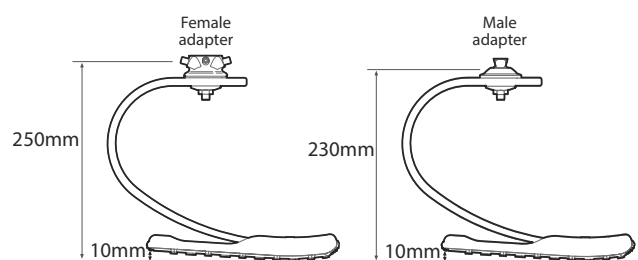
| Product Code | Spring Set | Sole | Adapter Type |
|--------------|------------|----------|--------------|
| BXTAG | 3 | S | F |

Foot example: BladeXT, spring rating 3, sport sole, female adapter

| Product Code | Spring Set | Sole | Adapter Type |
|--------------|------------|----------|--------------|
| BXTAG | 4 | S | M |

Foot example: BladeXT, spring rating 4, sport sole, male adapter

Build Height



| User | Activity | User Weight | | | | | | | | | | kg lbs |
|--------|----------|------------------|------------------|------------------|------------------|------------------|-------------------|--------------------|--------------------|--------------------|--------------------|--------------------|
| | | 44-52 100-115 | 53-59 116-130 | 60-68 131-150 | 69-77 151-170 | 78-88 171-195 | 89-100 196-220 | 101-116 221-255 | 117-130 256-285 | 131-147 286-325 | 148-166 326-365 | |
| Jogger | 4 | 1 | 2 | 3 | 4 | 5 | 6 | 7 | 8 | 9 | 9 | Foot spring set |
| Runner | 4 | 2 | 3 | 4 | 5 | 6 | 7 | 8 | 9 | 9 | - | |

Jogger Occasional to frequent recreational running

Runner Frequent distance running and endurance training

Important: For higher impact users, do not exceed the weight limit for individual springs.



Javelin Schematics

1 Spring Kits

| Foot Size | Foot Size | Foot Size | Foot Size |
|----------------|----------------|----------------|--------------------|
| 22-24 | 25-26 | 27-28 | 29-30 |
| Set 1 - 539301 | Set 1 - 539510 | Set 1 - 539519 | Set 1 - Special |
| Set 2 - 539302 | Set 2 - 539511 | Set 2 - 539520 | Set 2 - order only |
| Set 3 - 539303 | Set 3 - 539512 | Set 3 - 539521 | Set 3 - 539530 |
| Set 4 - 539304 | Set 4 - 539513 | Set 4 - 539522 | Set 4 - 539531 |
| Set 5 - 539305 | Set 5 - 539514 | Set 5 - 539523 | Set 5 - 539532 |
| Set 6 - 539306 | Set 6 - 539515 | Set 6 - 539524 | Set 6 - 539533 |
| Set 7 - 539307 | Set 7 - 539516 | Set 7 - 539525 | Set 7 - 539534 |
| Set 8 - 539308 | Set 8 - 539517 | Set 8 - 539526 | Set 8 - 539535 |
| | Set 9 - 539518 | Set 9 - 539527 | Set 9 - 539536 |

2 Foot shells*

| Left | Part Number | Right | Part Number |
|------|-------------|-------|-------------|
| 22L | 539038 | 22R | 539039 |
| 23L | 539040 | 23R | 539041 |
| 24L | 539042 | 24R | 539043 |
| 25L | 539044 | 25R | 539045 |
| 26L | 539046 | 26R | 539047 |
| 27L | 539048 | 27R | 539049 |
| 28L | 539050 | 28R | 539051 |
| 29L | 539052 | 29R | 539053 |
| 30L | 539054 | 30R | 539055 |

*For dark tone add suffix D

3 Glide Sock

| | |
|----------------|--------|
| Sizes 22 to 26 | 531011 |
| Sizes 27 to 30 | 532811 |

4 Cosmetic Interface*

| Size | Left | Right | Size | Left | Right |
|------|--------|--------|------|--------|--------|
| 22cm | 530138 | 530138 | 23cm | 530138 | 530138 |
| 24cm | 530138 | 530138 | 25cm | 531035 | 531035 |
| 26cm | 531035 | 531035 | 27cm | 531935 | 531935 |
| 28cm | 531936 | 531936 | 29cm | 532831 | 532832 |
| 30cm | 532833 | 532834 | | | |

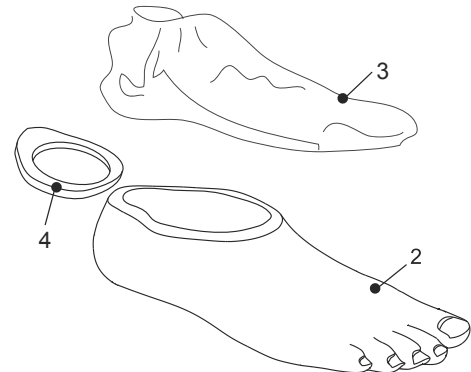
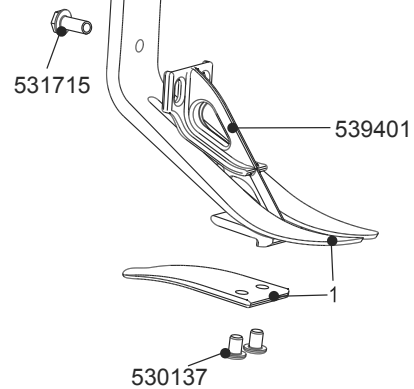
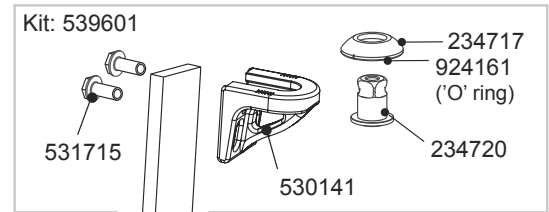
*For dark tone add suffix D

Fitting clamp - 941255 fitting clamp for alignment and set-up. Use also as cutting and drilling guide.
Available separately.

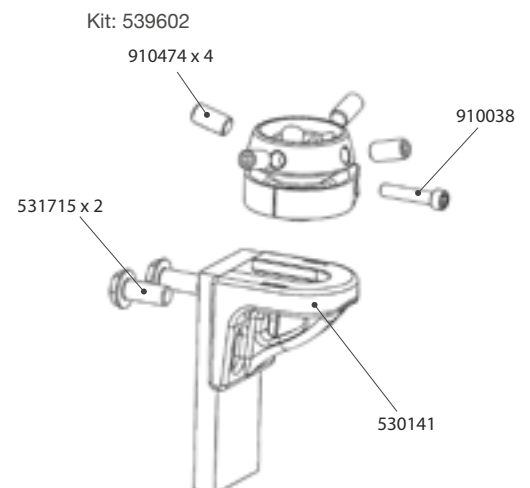
Tools:

| | |
|------------------------------|--------|
| Cutting/Drill & Jig Standard | 941255 |
| Instructions For Use | 938306 |

Male



Female



Build part numbers are for assembly guidance only and may not be for sale separately.

Lightweight blade, ideal for moderate impact sports and activities.

Javelin

Features

- Small sizes available
- e-carbon foot with independent springs
- Dynamic pylon enhances shock absorption
- Easy to finish cosmetically

Foot shell, cosmetic interface and glide sock included.

Specifications

| | |
|--------------------------|---------------------------|
| Max. User Weight: | 166kg |
| Activity Level: | (2), 3 |
| Size Range: | 22cm-30cm |
| Component Weight: | 444g [†] |
| Build Height: | 200mm - 365mm (min - max) |
| Heel Height: | 10mm |






Order Example

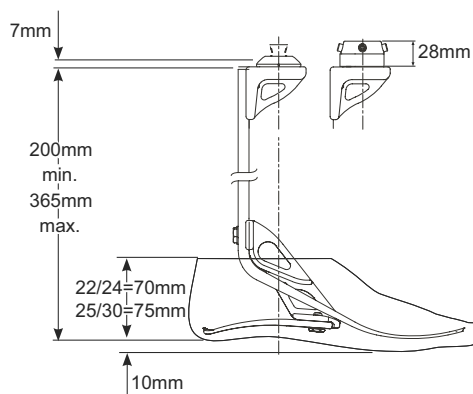
| Product Code | Size | Side | Spring Set | + Top Housing |
|--------------|-----------|----------|------------|----------------|
| JAV | 25 | L | 5 | Adapter |

For dark tone add suffix D.
Foot example: Javelin, size 25 left, spring rating 5.

Accessories

| | | |
|--------------------|---------------|---|
| Foot Shell Cover | 539087 |  |
| Top housing male | 539601 |  |
| Top housing female | 539602 |  |

Build Height



Activity Level 2 users who would benefit from this foot will require softer springs as appropriate for the individual. Refer to Instructions for Use for further information.

Spring set recommendations are for trans-tibial users. For trans-femoral we suggest selecting a spring set one level lower.

| Activity | User Weight | | | | | | | | | Spring set | |
|----------|-------------|----------|----------|----------|----------|----------|----------|----------|----------|------------|-----|
| | 44-52 | 53-59 | 60-68 | 69-77 | 78-88 | 89-100 | 101-116 | 117-130 | 131-147 | 148-166 | |
| | 100-115 | 116-130 | 131-150 | 151-170 | 171-195 | 196-220 | 221-255 | 256-285 | 286-325 | 326-365 | lbs |
| 3 | 1 | 1 | 2 | 3 | 4 | 5 | 6 | 7 | 8 | 9 | |



[†]Component weight shown is for a size 26cm without foot shell.

Avalon^{K2} Schematics

1. Glide Sock, Sizes 22-30

405815

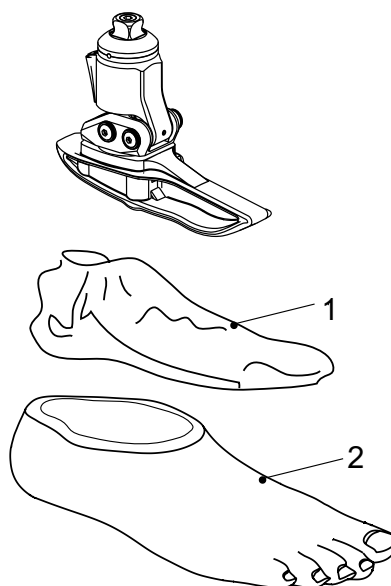
2. Foot shell*

| Left | Part Number | Right | Part Number |
|------|-------------|-------|-------------|
| 22L | 539020 | 22R | 539021 |
| 23L | 539022 | 23R | 539023 |
| 24L | 539024 | 24R | 539025 |
| 25L | 539026 | 25R | 539027 |
| 26L | 539028 | 26R | 539029 |
| 27L | 539030 | 27R | 539031 |
| 28L | 539032 | 28R | 539033 |
| 29L | 539034 | 29R | 539035 |
| 30L | 539036 | 30R | 539037 |

*For dark tone add suffix D

Hex Key 2.5mm AF
Instructions for use

940234
938327



Build part numbers are for assembly guidance only and may not be for sale separately.

Hydraulic ankle/foot with ergonomic keel for better posture, stability and joint position.

Avalon^{K2}

Features

- Ergonomic keel for ease of rollover
- Increased range of motion to enable greater sit-stand transfer safety
- Increased shock absorption, reduction in interface pressures
- Increased toe clearance in swing phase
- Plantar-flexion compliance when descending steps
- Sandal toe

Foot shell and glide sock included.



Specifications

| | |
|-------------------------------|--------------------------------|
| Max. User Weight: | 150kg |
| Activity Level: | 2 |
| Size Range: | 22-30cm |
| Component Weight: | 520g [†] |
| Build Height: | 115mm |
| Heel Height: | 10mm |
| Range of Ankle Motion: | 6° plantar to 6° dorsi-flexion |



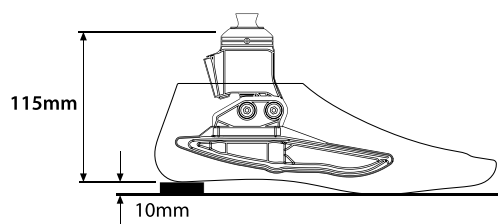
Suitable for submersion

Order Example

| Product Code | Size | Side |
|--------------|------|------|
| AV | 25 | L |

For dark tone add suffix D.
Foot example: Avalon^{K2} size 25 left.

Build Height



Accessories

Alignment Wedge

940093



[†]Component weight shown is for a size 26cm without foot shell.



Navigator Schematics

1 Snubber Kits

| | |
|--------------|--------|
| 60° (white) | 405605 |
| 70° (orange) | 405606 |
| 80° (blue) | 405607 |

2 Keel

| | |
|-------------|--------|
| Small | 405619 |
| Medium | 405719 |
| Large | 405819 |
| Extra Large | 405919 |

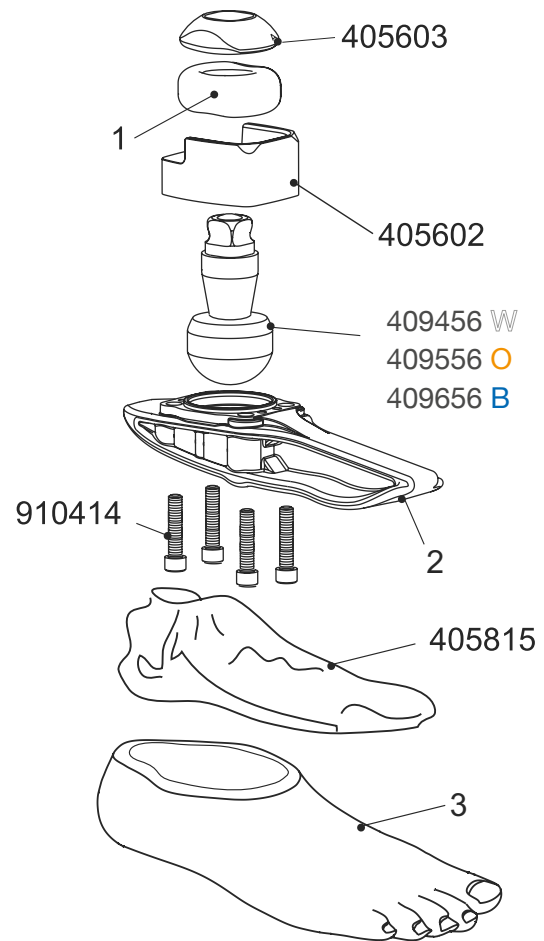
3 Foot shell*

| Left | Part Number | Right | Part Number |
|------|-------------|-------|-------------|
| 22L | 539020 | 22R | 539021 |
| 23L | 539022 | 23R | 539023 |
| 24L | 539024 | 24R | 539025 |
| 25L | 539026 | 25R | 539027 |
| 26L | 539028 | 26R | 539029 |
| 27L | 539030 | 27R | 539031 |
| 28L | 539032 | 28R | 539033 |
| 29L | 539034 | 29R | 539035 |
| 30L | 539036 | 30R | 539037 |

*For dark tone add suffix D

Cone tool (for assembly)
Instructions for use

940083
938247



Multi-axial foot with flexible keel for comfort and stability.

Navigator

Features

- Multi-axial flexible keel
- Short keel optimized for K2 gait and transfer
- Integrated ankle joint
- Choice of ankle stiffness
- Sandal toe

Foot shell and glide sock included.

Specifications

| | |
|--------------------------|-------------------|
| Max. User Weight: | 125kg |
| Activity Level: | 1-3 |
| Size Range: | 22cm-30cm |
| Component Weight: | 350g [†] |
| Build Height: | 95mm |
| Heel Height: | 10mm |

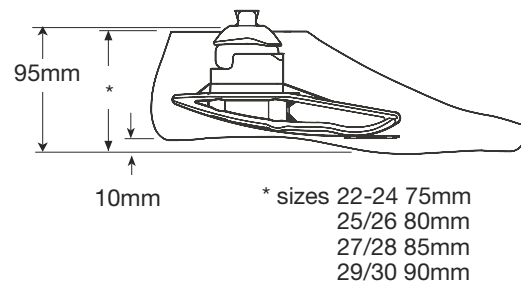


Order Example

| Product Code | Size | Side | Ball | Snubber |
|--------------|-----------|----------|----------|----------|
| NAV | 25 | L | W | O |

For dark tone add suffix D. Foot example: Navigator, size 25 left, ball rating white, snubber rating orange.

Build Height



Ball and Snubber

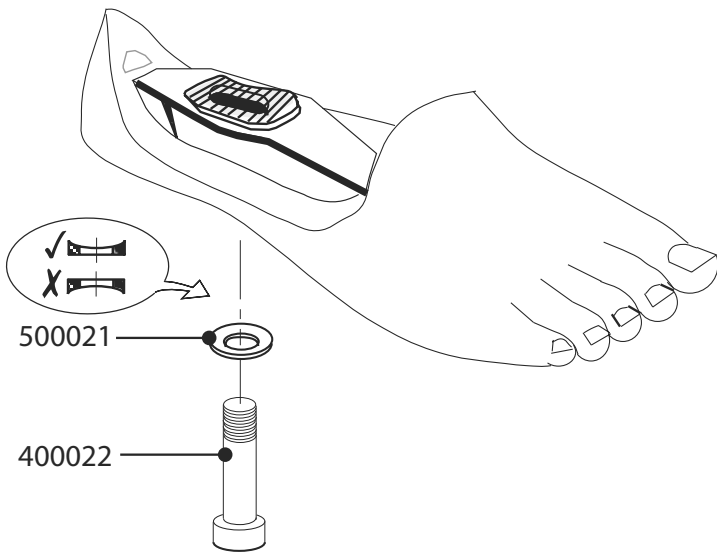
W=white, soft
O=orange, medium
B=blue, hard

| Activity | User Weight | | | | | | | kg |
|----------|-------------|-------|-------|-------|-------|--------|---------|------------------|
| | 44-52 | 53-59 | 60-68 | 69-77 | 78-88 | 89-100 | 101-125 | |
| 1 | WW | WW | WW | WO | OO | OB | BB | Ball and snubber |
| 2 | WW | WW | WO | OO | OB | BB | BB | |
| 3 | WW | WO | OO | OB | BB | BB | BB | |



[†]Component weight shown is for a size 26cm without foot shell.

Multiflex Standard Schematics



Instructions for use 938016

The Multiflex foot and ankle provides the level 1-2 user with multi-axial motion for comfort and stability.

Multiflex Standard

Features

- Multi-axial function
- Low profile
- Sandal toe

Specifications

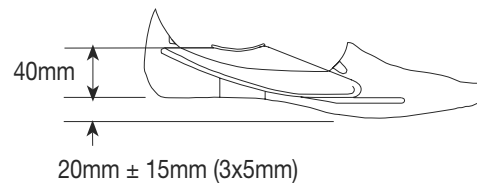
| | |
|--------------------------|-------------------|
| Max. User Weight: | 125kg |
| Activity Level: | 1-2 |
| Size Range: | 22cm-30cm |
| Component Weight: | 375g [†] |
| Build Height: | 40mm |
| Heel Height: | 20 ± 15mm |



Part Numbers

| Size | Left | Right |
|------|---------------|---------------|
| 22cm | 519119 | 519120 |
| 23cm | 519121 | 519122 |
| 24cm | 519123 | 519124 |
| 25cm | 519125 | 519126 |
| 26cm | 519127 | 519128 |
| 27cm | 519129 | 519130 |
| 28cm | 519131 | 519132 |
| 29cm | 519133 | 519134 |
| 30cm | 519135 | 519136 |

Build Height



Multiflex Ankle Standard 30mm

| | | |
|--|---------------|---|
| | Ankle Kits: | 30mm 379342 (W) 379343 (O) 379344 (B) |
| | Snubber Kits: | 409007 (W) 409008 (O) 409009 (B) |

Multiflex Ankle Pyramid

| | | |
|--|---------------|---|
| | Ankle Kits: | 409353 (W) 409354 (O) 409355 (B) |
| | Snubber Kits: | 409007 (W) 409008 (O) 409009 (B) |

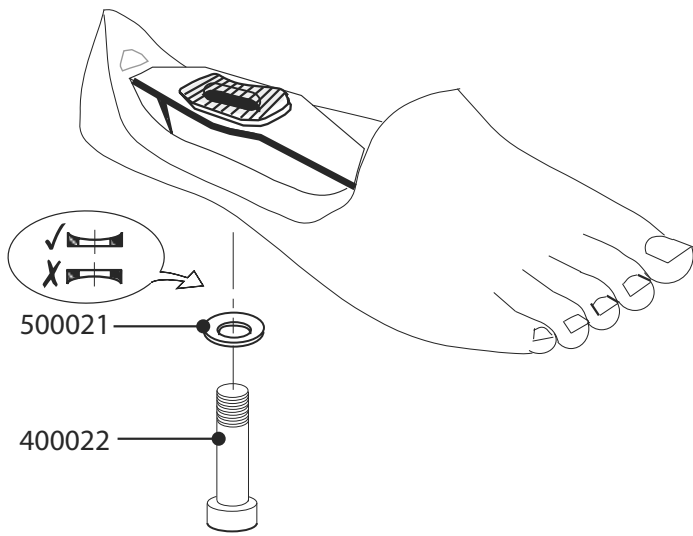
Multiflex ankle and snubber selection.

| Activity | User Weight | | | | | | | kg lbs | Ball and snubber |
|----------|------------------|------------------|------------------|------------------|------------------|-------------------|--------------------|-----------|---------------------|
| | 44-52 100-115 | 53-59 116-130 | 60-68 131-150 | 69-77 151-170 | 78-88 171-195 | 89-100 196-220 | 101-125 221-275 | | |
| 1-2 | WW | WW | WW | WO | OO | OB | BB | | |



[†]Component weight shown is for a size 26cm.

Multiflex Slim Schematics



Instructions for use

938016

Build part numbers are for assembly guidance only and may not be for sale separately.

The Multiflex foot and ankle in a slimmer width.
Additional heel height capacity allows for a higher heel.

Multiflex Slim

Features

- Multi-axial function
- Low profile
- Sandal toe

Specifications

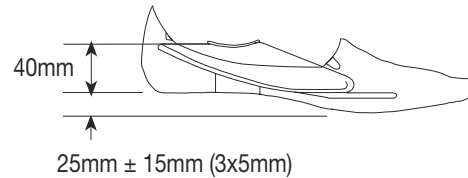
| | |
|--------------------------|-------------------|
| Max. User Weight: | 125kg |
| Activity Level: | 1-2 |
| Size Range: | 22cm-25cm |
| Component Weight: | 375g [†] |
| Build Height: | 40mm |
| Heel Height: | 25 ± 15mm |



Part Numbers

| Size | Left | Right |
|------|---------------|---------------|
| 22cm | 519141 | 519142 |
| 23cm | 519143 | 519144 |
| 24cm | 519145 | 519146 |
| 25cm | 519147 | 519148 |

Build Height



Multiflex Ankle Standard 30mm

| | | |
|--|---------------|---|
| | Ankle Kits: | 30mm 379342 (W) 379343 (O) 379344 (B) |
| | Snubber Kits: | 409007 (W) 409008 (O) 409009 (B) |

Multiflex Ankle Pyramid

| | | |
|--|---------------|---|
| | Ankle Kits: | 409353 (W) 409354 (O) 409355 (B) |
| | Snubber Kits: | 409007 (W) 409008 (O) 409009 (B) |

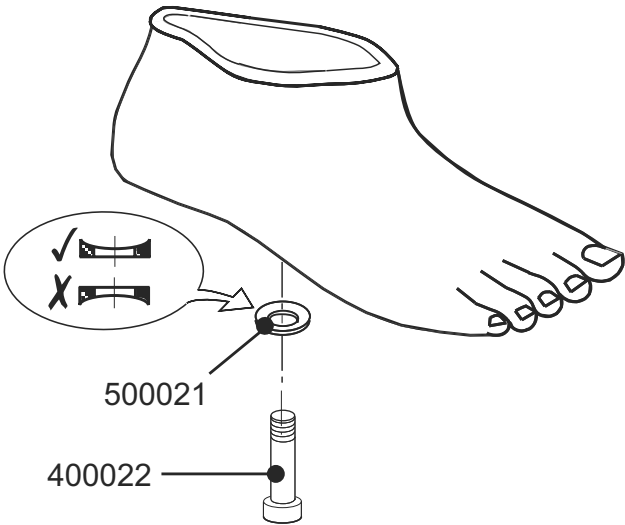
Multiflex ankle and snubber selection.

| Activity | User Weight | | | | | | | kg lbs | Ball and snubber |
|----------|------------------|------------------|------------------|------------------|------------------|-------------------|--------------------|-----------|---------------------|
| | 44-52 100-115 | 53-59 116-130 | 60-68 131-150 | 69-77 151-170 | 78-88 171-195 | 89-100 196-220 | 101-125 221-275 | | |
| 1-2 | WW | WW | WW | WO | OO | OB | BB | | |

[†]Component weight shown is for a size 26cm.



Multiflex Special Edition Schematics



Instructions for use

938211

Build part numbers are for assembly guidance only and may not be for sale separately.

The Multiflex foot and ankle system within a standard profile Foot shell.

Multiflex Special Edition

Features

- Multi-axial function
- Ankle level Foot shell
- Sandal toe

Specifications

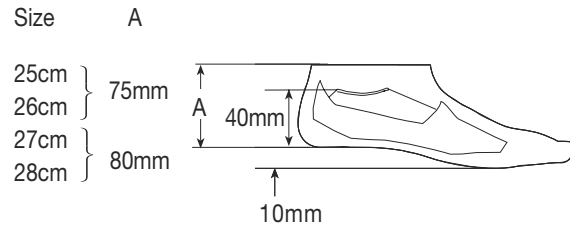
| | |
|--------------------------|-------------------|
| Max. User Weight: | 125kg |
| Activity Level: | 1-2 |
| Size Range: | 25cm-28cm |
| Component Weight: | 425g [†] |
| Build Height: | 40mm |
| Heel Height: | 10 ± 15mm |



Part Numbers

| Size | Left | Right |
|------|---------------|---------------|
| 25cm | 519525 | 519526 |
| 26cm | 519527 | 519528 |
| 27cm | 519529 | 519530 |
| 28cm | 519531 | 519532 |

Build Height



Multiflex Ankle Standard 30mm

| | | |
|--|---------------|---|
| | Ankle Kits: | 30mm 379342 (W) 379343 (O) 379344 (B) |
| | Snubber Kits: | 409007 (W) 409008 (O) 409009 (B) |

Multiflex Ankle Pyramid

| | | |
|--|---------------|---|
| | Ankle Kits: | 409353 (W) 409354 (O) 409355 (B) |
| | Snubber Kits: | 409007 (W) 409008 (O) 409009 (B) |

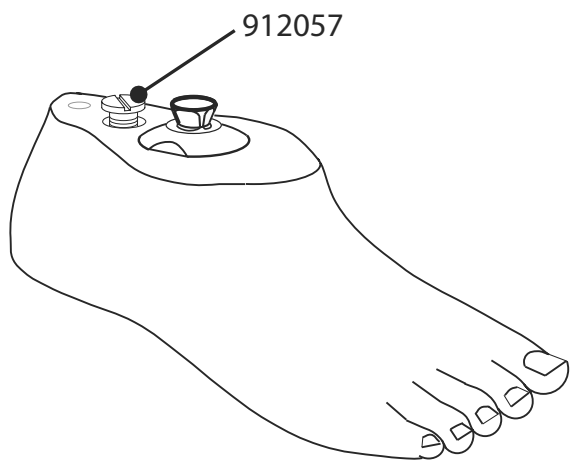
Multiflex ankle and snubber selection.

| Activity | User Weight | | | | | | | kg lbs | Ball and snubber |
|----------|------------------|------------------|------------------|------------------|------------------|-------------------|--------------------|-----------|---------------------|
| | 44-52 100-115 | 53-59 116-130 | 60-68 131-150 | 69-77 151-170 | 78-88 171-195 | 89-100 196-220 | 101-125 221-275 | | |
| 1-2 | WW | WW | WW | WO | OO | OB | BB | | |



[†]Component weight shown is for a size 26cm.

SuperSACH Schematics



Instructions for use

938086

A cushioned foot with flexible keel and adjustable heel cushion for level 1-2 users.

SuperSACH

Features

- Adjustable heel cushion
- Sandal toe
- Integrated pyramid

Specifications

| | |
|--------------------------|---|
| Max. User Weight: | 125kg |
| Activity Level: | 1-2 |
| Size Range: | 22cm-28cm |
| Component Weight: | 449g [†] |
| Build Height: | 70mm size 22-24 75mm size 25-26 80mm size 27-28 |
| Heel Height: | 19mm |



Suitable for submersion

Part Numbers

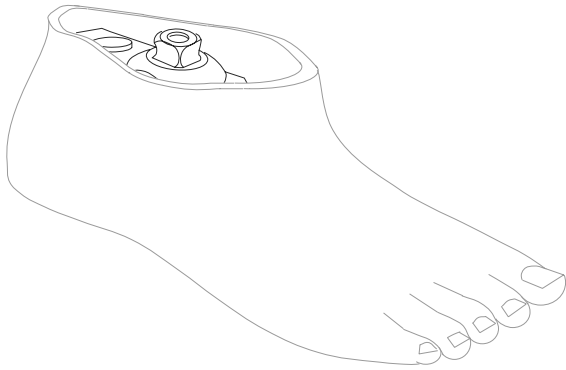
| Size | Left | Right |
|------|---------|---------|
| 22cm | P529101 | P529102 |
| 23cm | P529103 | P529104 |
| 24cm | P529105 | P529106 |
| 25cm | P529107 | P529108 |
| 26cm | P529109 | P529110 |
| 27cm | P529111 | P529112 |
| 28cm | P529113 | P529114 |

Build Height

| Size | A |
|------|------|
| 22cm | 70mm |
| 23cm | |
| 24cm | |
| 25cm | 75mm |
| 26cm | |
| 27cm | 80mm |
| 28cm | |

[†]Component weight shown is for a size 26cm.

Senior Schematics



1 Foot Shell*

| Left | Part Number | Right | Part Number |
|------|-------------|-------|-------------|
| 22L | 529701 | 22R | 529702 |
| 23L | 529703 | 23R | 529704 |
| 24L | 529705 | 24R | 529706 |
| 25L | 529707 | 25R | 529708 |
| 26L | 529709 | 26R | 529710 |
| 27L | 529711 | 27R | 529712 |
| 28L | 529713 | 28R | 529714 |

*For dark tone add suffix D

Instructions for use

938163

Ultra lightweight foot with heel cushioning for level 1-2 users.

Senior

Features

- Replaceable foot shell
- Sandal toe
- Flexible keel
- Integrated pyramid

Specifications

| | |
|--------------------------|---|
| Max. User Weight: | 125kg |
| Activity Level: | 1-2 |
| Size Range: | 22cm-28cm |
| Component Weight: | 395g [†] |
| Build Height: | 70mm size 22-24 75mm size 25-26 80mm size 27-28 |
| Heel Height: | 19mm |

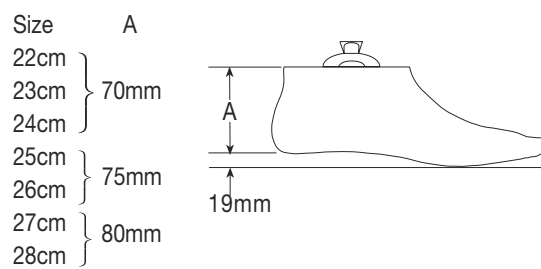


Order Example

| Product Code | Size | Side |
|--------------|-----------|----------|
| SNR | 25 | L |

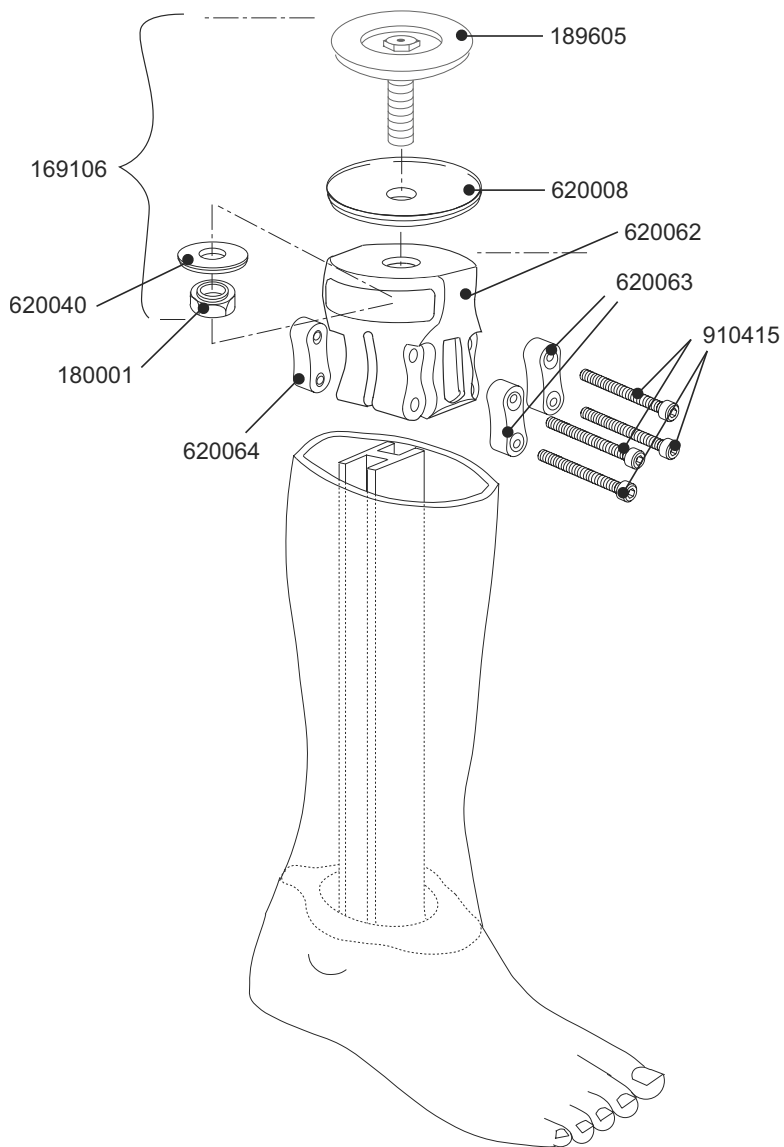
For dark tone add suffix D.
Foot example: Senior, size 25 left.

Build Height



[†]Component weight shown is for a size 26cm.

Aqualimb TT Schematics



Instructions for use

938255

Build part numbers are for assembly guidance only and may not be for sale separately.

A waterproof prosthesis with integral shin and cosmesis.
For use in the shower and wet environments.

Aqualimb TT

Features

- Integral shin and cosmesis
- Rapid assembly
- Full alignment device included
- Anti-slip tread pattern on sole

Specifications

| | |
|--------------------------|--------------|
| Max. User Weight: | 100kg |
| Activity Level: | 1-2 |
| Size Range: | 22cm-27cm |
| Component Weight: | 1.39kg† |
| Build Height: | 280 to 415mm |
| Heel Height: | 5mm |

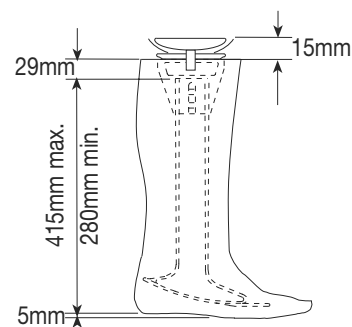


Suitable for submersion

Part Numbers

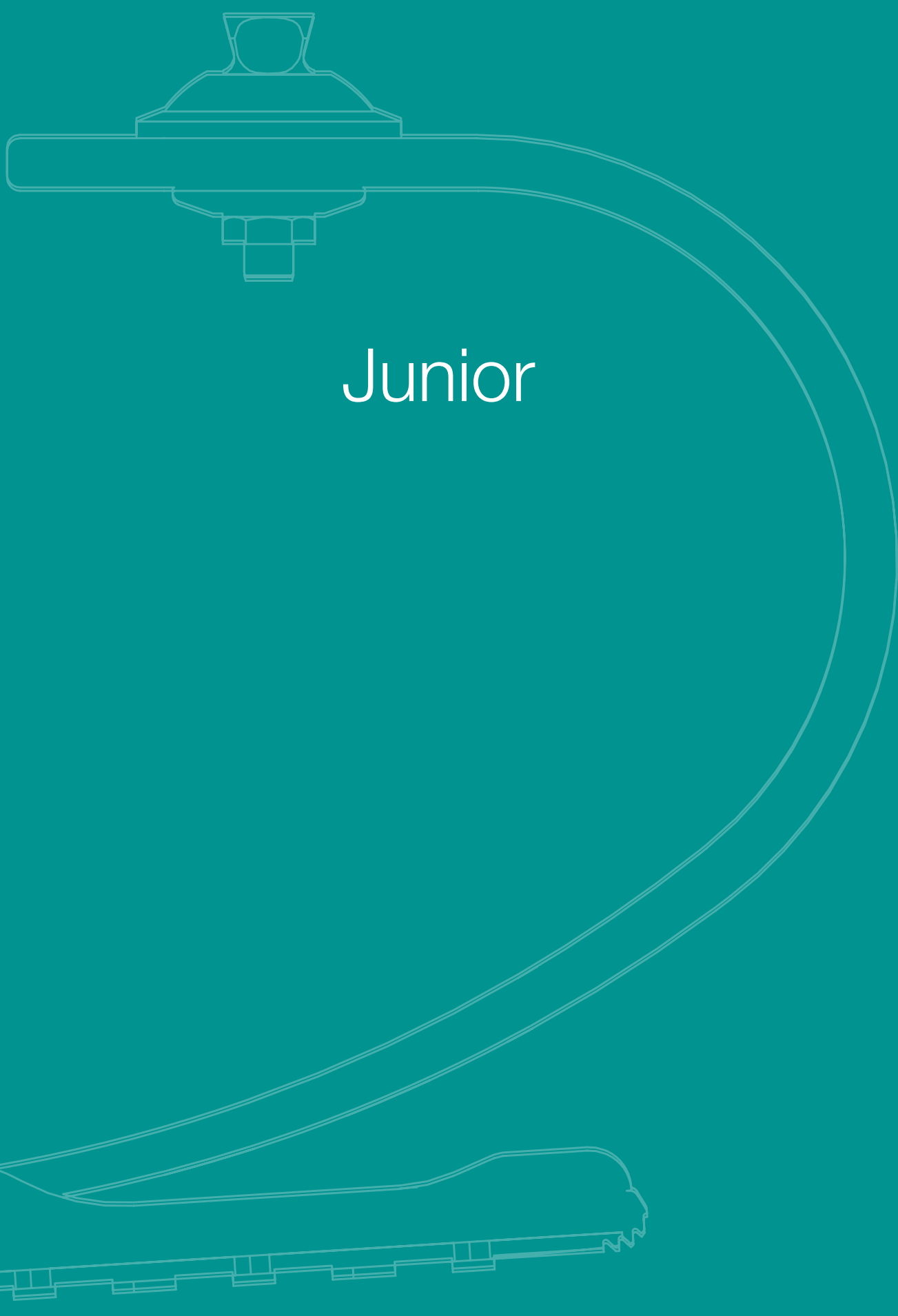
| Size | Left | Right |
|------|---------|---------|
| 22cm | 629705L | 629706L |
| 23cm | 629707L | 629708L |
| 24cm | 629709L | 629710L |
| 25cm | 629711L | 629712L |
| 26cm | 629713L | 629714L |
| 27cm | 629715L | 629716L |

Build Height



†Component weight shown is for a size 26cm.

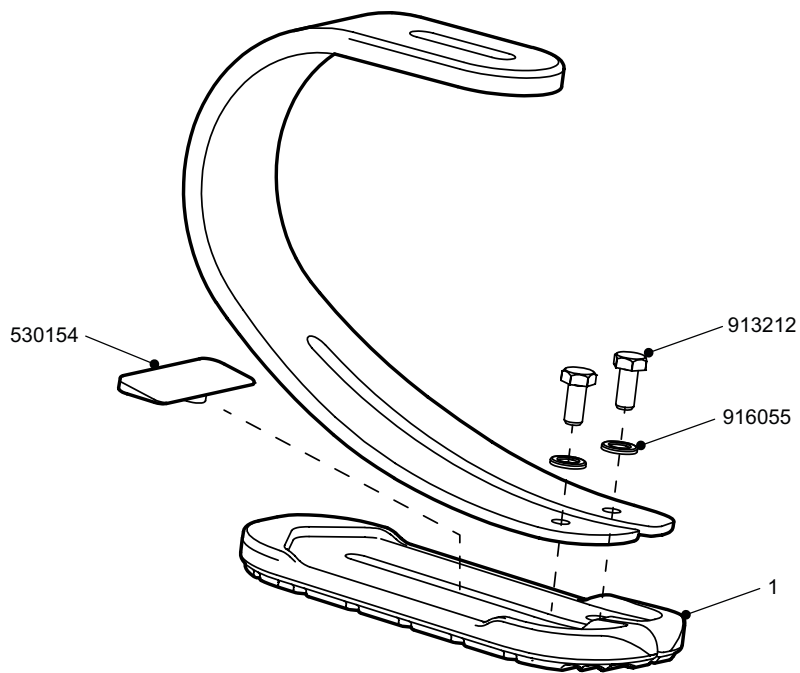
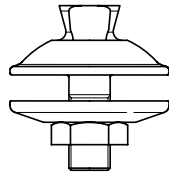




Junior

Mini BladeXT Schematics

Male Mini Pyramid
189627



1 MBXT Heel Spring Kits — include the overmoulded cover, screws, washers and heel wedge.

| Spring Category | Heel Type | Part No. |
|-----------------|---------------|----------|
| 1 | Soft Sports | 539084SS |
| 2 | Medium Sports | 539084MS |
| 3 | Firm Sports | 539084FS |

| Adapters | Part No. |
|---|----------|
| Male Mini Pyramid (supplied with foot) | 189627 |
| Female Mini Pyramid 25mm Tube Clamp Adapter | 189526 |
| Female Mini Pyramid 30mm Tube Clamp Adapter | 189727 |

Instructions For Use 938371

Build part numbers are for assembly guidance only and may not be for sale separately.

A versatile paediatric blade suitable for a range of activities.

Mini BladeXT

Features

- Twin toe and heel springs
- Split toe design
- Traction sole
- Heel stiffness wedge
- Waterproof
- Field replaceable heel spring kit
- Male mini pyramid with 30mm shift and rotation

Specifications

| | |
|-------------------|---|
| User Weight: | 20-60kg |
| Amputation Level: | All |
| Activity Level: | 3-4 |
| Spring Range: | 1-3 |
| Component Weight: | 450g (including male mini pyramid) |
| Build Height: | 168mm |
| Colour Options: | Dazzling Pink (P) or Electric Blue (B) |



Order Example

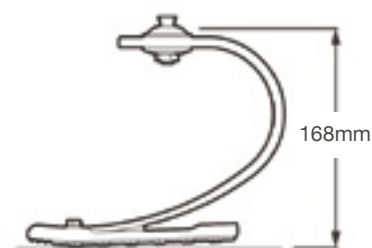
| Product Code | Colour | Spring Set | |
|--------------|----------|------------|-----------|
| MBXTA | B | 3 | SM |

Foot example: Mini BladeXT, Colour Blue, Spring Set 3.

| Product Code | Colour | Spring Set | |
|--------------|----------|------------|-----------|
| MBXTA | P | 1 | SM |

Foot example: Mini BladeXT, Colour Pink, Spring Set 1.

Build Height



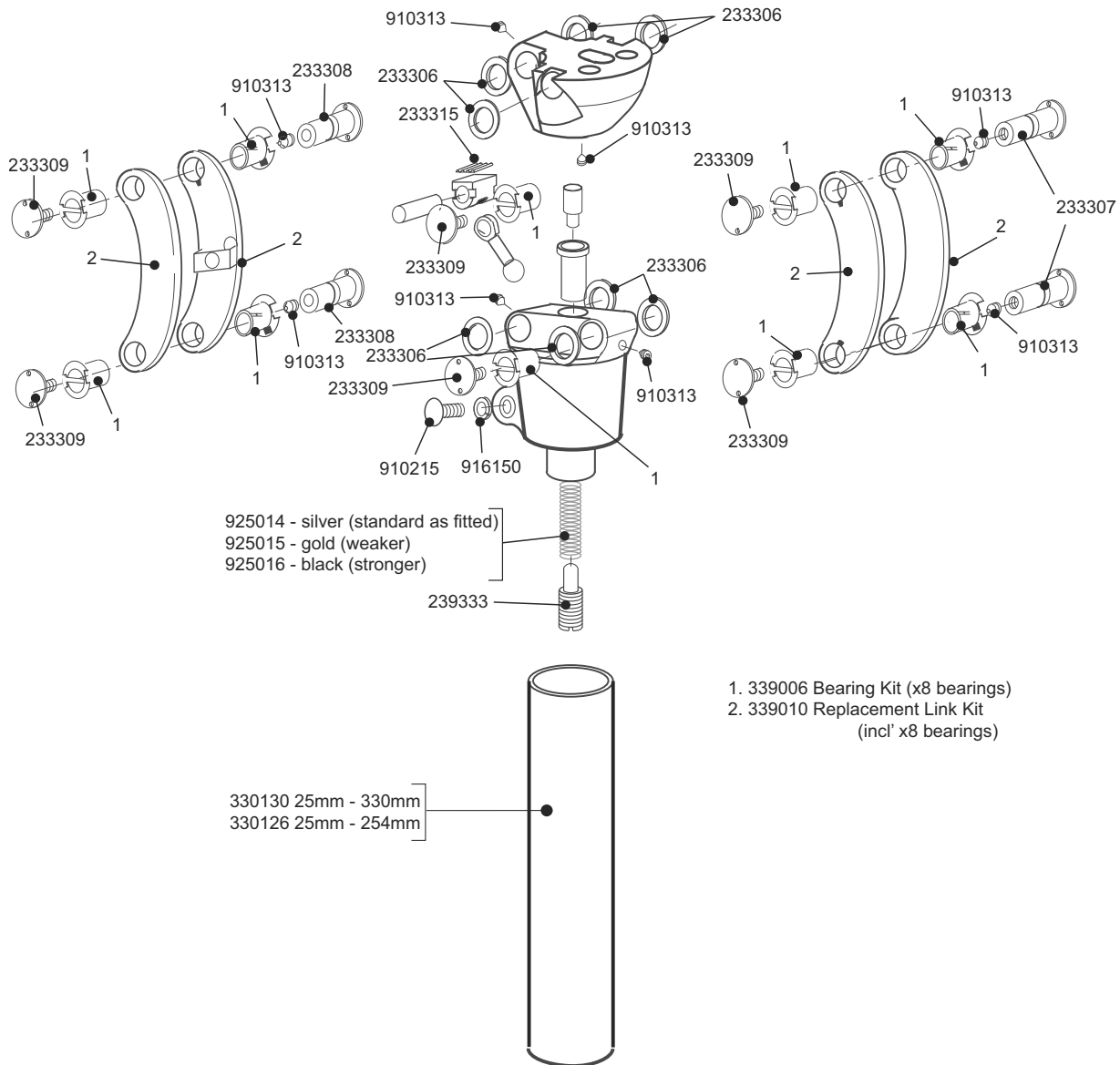
| Activity | User Weight | | | Toe and Heel Spring Set |
|----------|----------------|-----------------|------------------|-------------------------|
| | 20-35 44-77 | 36-50 78-110 | 51-60 111-132 | |
| 3-4 | 1 Soft | 2 Medium | 3 Firm | |



Child's 4-bar Knee Schematics

TT system

019245



Instructions for use

| | |
|----------------|--------|
| Knee | 938017 |
| Knee with tube | 938103 |

Build part numbers are for assembly guidance only and may not be for sale separately.

A durable and lightweight polycentric knee designed for active children.

Child's 4-bar Knee

Features

- Polycentric knee for stance stability
- Adjustable extension assist spring
- Wide range of alignment
- Low build height

Specifications

| | |
|-------------------|-------|
| Max. User Weight: | 60kg |
| Activity Level: | 1-4 |
| Component Weight: | 335g |
| Build Height: | 105mm |



Suitable for outdoor use

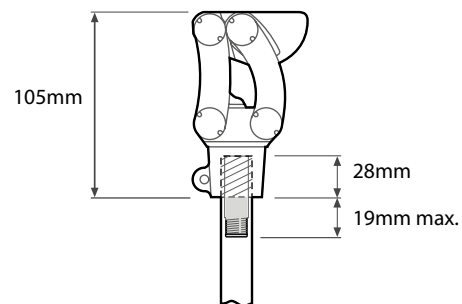
Part Number

| | |
|------------------------------------|---------------|
| Child's 4-bar Knee with 330mm tube | 019245 |
| Child's 4-bar Knee without tube | 239133 |

Adapters

| | | |
|------------------------------------|---------------|---|
| Child's TF Alignment Kit | 189226 |  |
| Lamination Socket Alignment Kit | 189126 |  |
| M30 Laminate Adapter 4 Prong Kit | 189626 |  |
| M30 Childs Adapter Kit | 189726 |  |
| Female Mini Pyramid Pylon Kit 25mm | 409099 |  |

Fitting Length

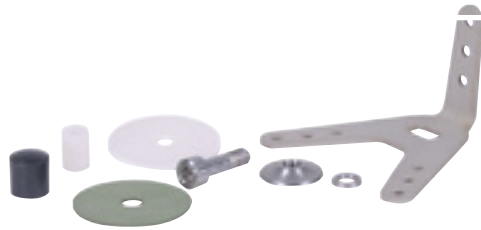


Junior

| Number | Description | Part Number | Build height | Weight | Max. User Weight. /Activity Level |
|--------|---|-------------|---|--------|--------------------------------------|
| 1 | Child's TT system with 25mm shin tube | 019145 | 85-279mm (+16) | 225g | 60kg / 1-4 |
| 2 | Child's socket attachment plate for lamination | 189126 | 10mm | 125g | 60kg/ 1-4 |
| 3 | Child's TF alignment kit- endolite full alignment | 189226 | 20mm | 64g | 60kg / 1-4 |
| 4 | Child's ankle disarticulation kit | 189326 | 45mm | 45g | 60kg / 1-4 |
| 5 | Ankle clamp for Child's Play foot size 13-15cm | 409021 | 48mm (20+28mm) | 69g | 60kg / 1-4 |
| | Ankle clamp for Child's Play foot size 16-18cm | 409022 | 48mm (20+28mm) | 69g | 60kg / 1-4 |
| | Ankle clamp for Child's Play foot size 19-21cm | 409023 | 48mm (20+28mm) | 69g | 60kg / 1-4 |
| 6 | Pylon adapter for Child's Play - low profile size 13-15cm | 409043 | 64-102mm (tt inc. upper housing) 115-152mm (TF inc. knee) | 70g | 60kg / 1-4 |
| | Pylon adapter for Child's Play - low profile size 16-18cm | 409044 | 64-102mm (tt inc. upper housing) 115-152mm (TF inc. knee) | 70g | 60kg / 1-4 |
| | Pylon adapter for Child's Play - low profile size 19-21cm | 409045 | 64-102mm (tt inc. upper housing) 115-152mm (TF inc. knee) | 70g | 60kg / 1-4 |
| 7 | Child's SACH foot adapter 25mm | 409026 | 49mm (21+28mm) | 110g | 60kg / 1-4 |
| 8 | Pylon adapter for SACH foot- low profile | 409046 | 64-102mm (Tt inc. upper housing) 115-152mm (TF inc. knee) | 75g | 60kg / 1-4 |
| 9 | TT upper housing - Endolite full alignment) | 189426 | 41mm (25+16mm) | 165g | 60kg / 1-4 |
| 10 | M30 Child's Adaptor for 4 Bar Knee | 189726 | 12mm | 55g | 60kg/1-4 |
| 11 | M30 4 Prong Laminate Adapter | 189626 | 10mm | 100g | 60kg/1-4 |
| 12 | Female Mini Pyramid Pylon | 409099 | TT-50mm to 80mm TF-60mm to 80mm | 96g | 60kg/1-4 |



1



2



3



4



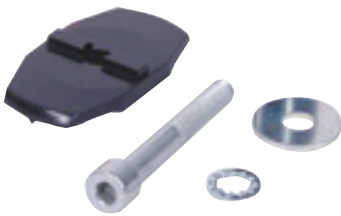
5



6



7



8



9



10



11

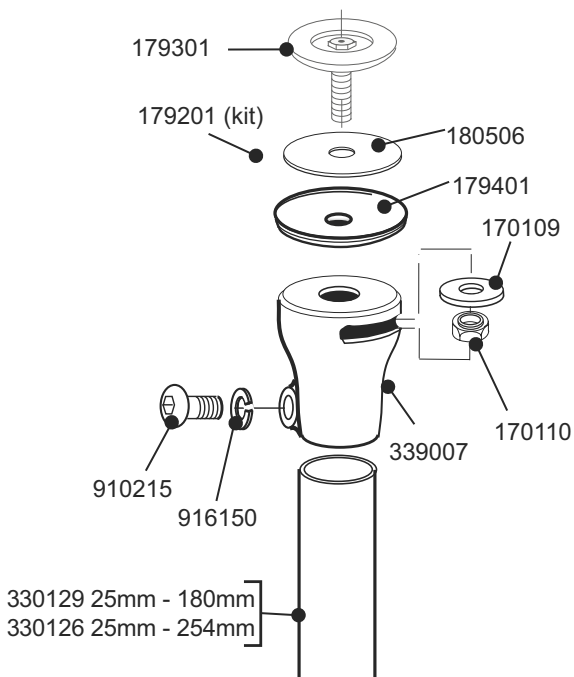


12

Please note that products are not shown to relative scale.

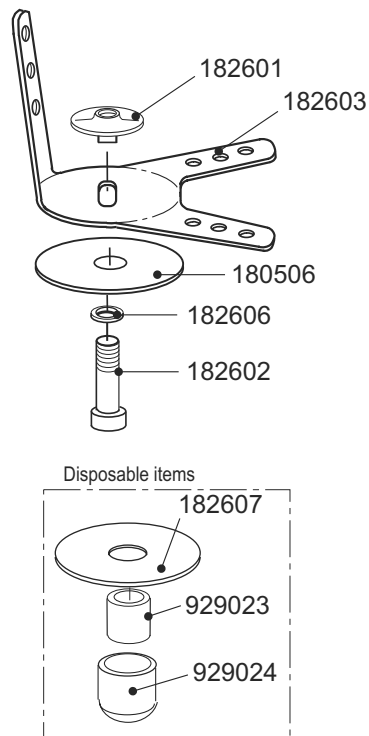
Junior Schematics

TT system 019145



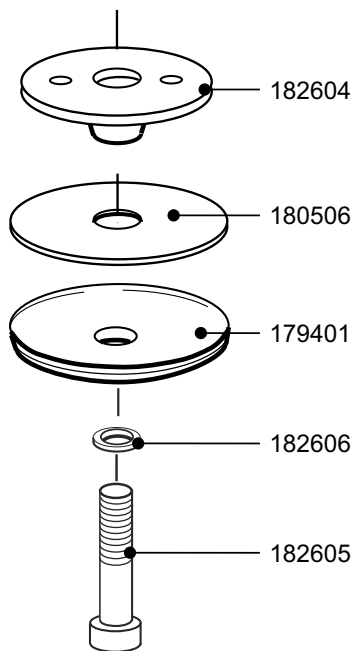
Instructions for use 938115

Tf alignment kit 189126



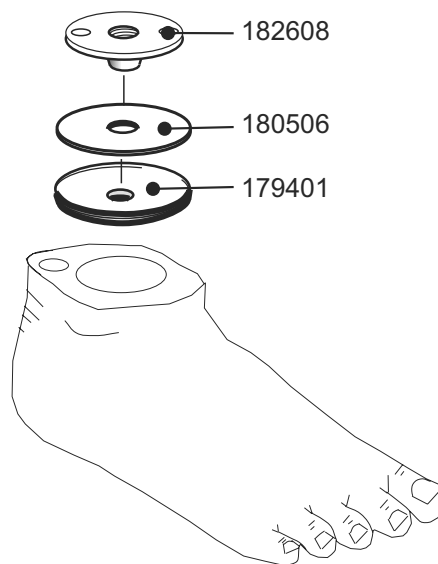
Instructions for use 938112

Alignment kit 189226



Instructions for use 938109

Ankle disarticulation kit 189326

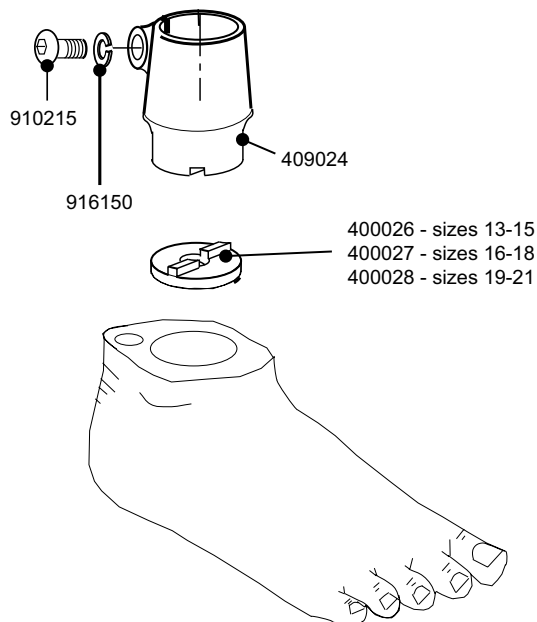


Instructions for use 938111

Build part numbers are for assembly guidance only and may not be for sale separately.

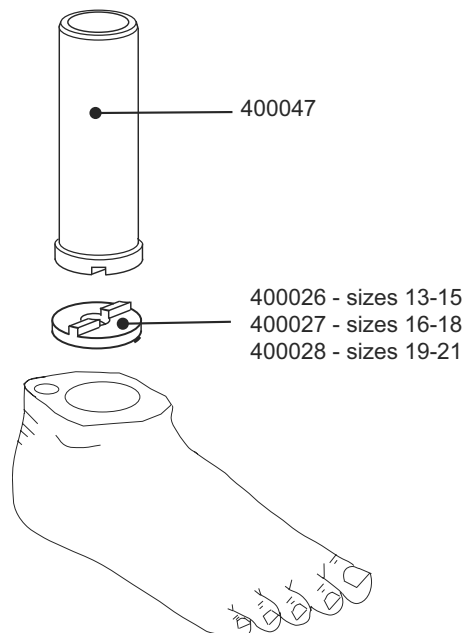
Junior Schematics

Ankle adapter kit
 (size 13-15) 409021
 (size 16-18) 409022
 (size 19-21) 409023



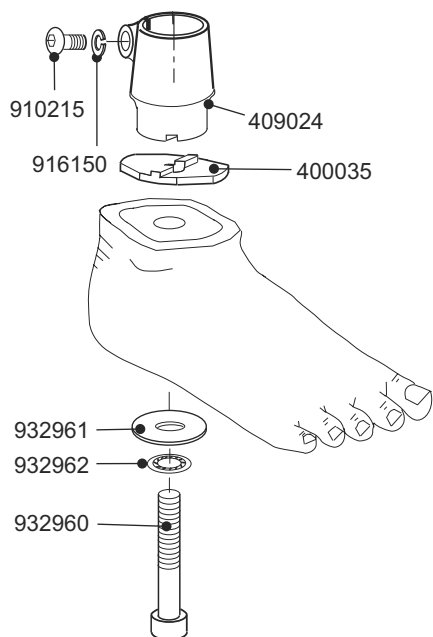
Instructions for use 938106

Long stump adapter
 (size 13-15) 409043
 (size 16-18) 409044
 (size 19-21) 409045



Instructions for use 938108

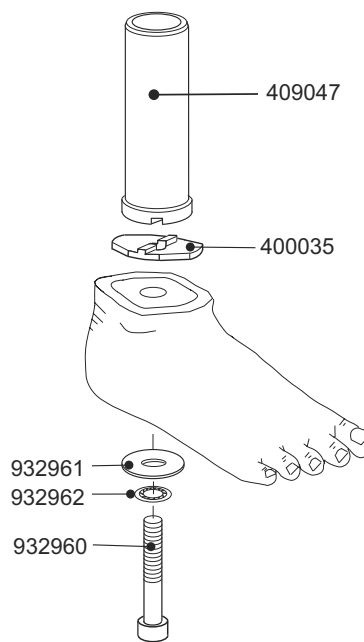
SACH adapter 409026



Instructions for use 938105

Note: it is important the correct foot plate is installed to provide sufficient bearing area on the Child's Play keel.

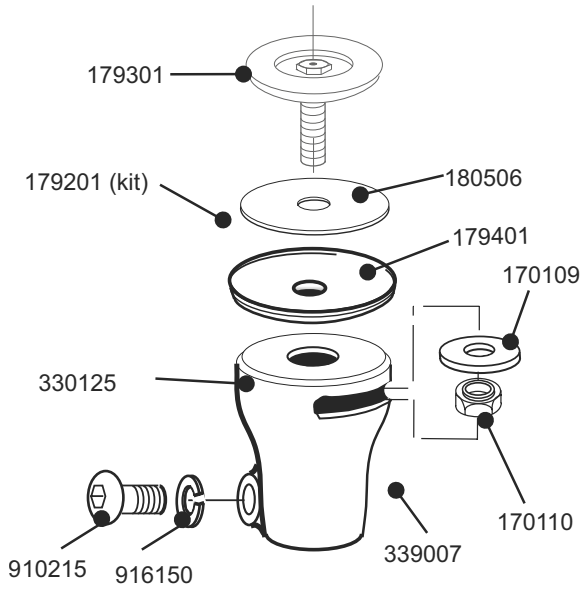
Long stump adapter 409046



Instructions for use 938107

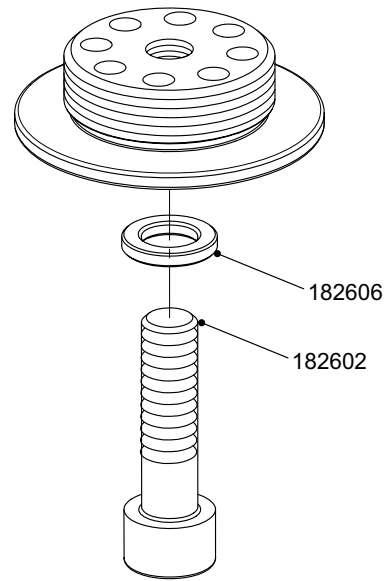


Upper housing 189426



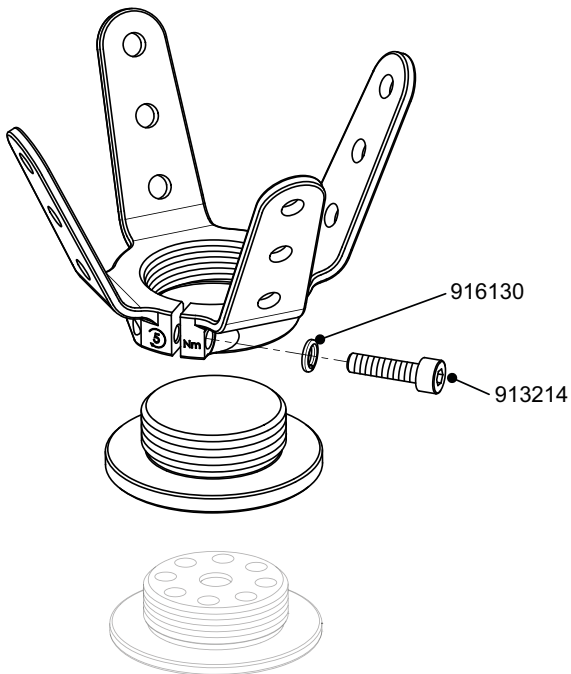
Instructions for use 938104

M30 Child's Adapter 189726



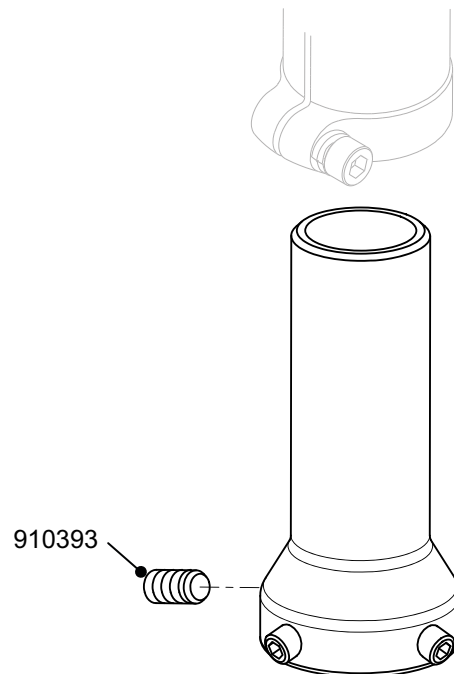
Instructions for use 938396

M30 4 Prong Laminate Adapter 189626



Instructions for use 938395

Female Mini Pyramid Pylon 25mm 409099



Instructions for use 938394



A white line drawing on a grey background showing the base and control arm of a microscope. The base is a large, circular, fluted structure. A vertical column rises from the center, supporting a control arm with a circular knob and a curved handle. The drawing is minimalist, using only outlines to define the mechanical parts.

Controls

Controls



Endolite Hydraulic Cylinders

New and Service Exchange Units

| New | S/Ex* | Description | Trunnion Ø |
|--------|--------|--|------------|
| 932281 | 932283 | Swing and Stance Cylinder for KX06 | 8mm |
| 932282 | 932284 | Swing Cylinder for KX06 | 8mm |
| 932285 | 932286 | Swing and Stance cylinder for Mercury Knee | 10mm |
| 932287 | 932288 | Swing Cylinder for Mercury Knee | 10mm |



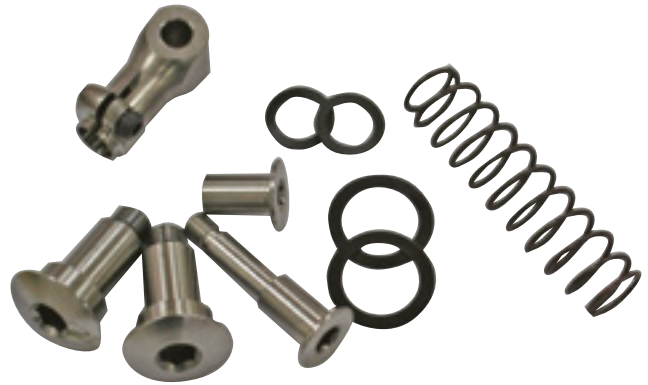
Endolite Microprocessor Control Cylinders

New and Service Exchange Units

| New | S/Ex* | Description | Trunnion Ø |
|--------|--------|----------------------------|------------|
| 239629 | 259902 | Swing Cylinder for SmartIP | 6mm |



*Supplied for in-warranty cylinders only. Cylinder serial number will be required.



Kit: 019758

Control fitting kits for KX06 and Mercury modules (image not shown)

Fitting kit for KX06 **239254**

| Description | Number |
|--------------------------------|--------|
| Pin Chassis Posterior | 235420 |
| Sleeve Chassis Posterior 2 off | 235412 |
| Distal Pivot 2 off | 235417 |
| Thrust Spacer 2 off | 235419 |
| M6x8 Screw 2 off | 913205 |
| M6 x 35 Cap Screw | 910051 |

Fitting Kit for Mercury Knee **239031**

| Description | Number |
|---------------------------|--------|
| Pivot Pin Upper | 234705 |
| Thrust Washer x2off | 234716 |
| Lower Pivot x2off | 234806 |
| Thrust Washer (0.6) x2off | 235206 |
| Thrust Washer (0.5) x2off | 235207 |

Control fitting kits for ESK+ and ESK/MKL shin modules

Fitting Kit for Smart IP **019668**

| Description | Number |
|----------------------|--------|
| Nut | 230078 |
| Bolt | 230079 |
| Thrust washer, 2 off | 230080 |
| Lower pivot, 2 off | 230088 |
| Thrust washer, 2 off | 230090 |

Fitting Kit for PSPC **019758**

| Description | Number |
|----------------------|--------|
| Nut | 230078 |
| Bolt | 230079 |
| Thrust washer, 2 off | 230080 |
| Lower pivot, 2 off | 230088 |
| Thrust washer, 2 off | 230090 |
| Assistor spring | 230313 |
| Trunnion | 239009 |





Adapters

| Number | Description | Part Number | Build height | Material | Weight | Max. User wt. /Activity |
|--------|---|-------------------|---|-------------------------|--------|------------------------------|
| Level | | | | | | |
| 1 | TT lamination anchor | P189410S | 17mm (35mm) | St. Steel | 85g | 125kg / 1-3 100kg / 1-4 |
| 2 | TT lamination anchor | P189410 | 17mm (35mm) | Aluminium | 75g | 125kg / 1-3 100kg / 1-4 |
| 3 | Pyramid 4-bolt | P189310 | 8mm (15mm) | St. Steel | 68g | 150kg / 1-3 145kg / 1-4 |
| 4 | KX06 adapter kit | 169307 | 3mm (13mm) | Aluminium/ St. Steel | 65g | 150kg / 1-3 145kg / 1-4 |
| 5 | Pyramid male - sliding/rotating | EP-MSR | 14mm (27mm) | Titanium | 140g | } 150kg / 1-3 145kg / 1-4 |
| | Pyramid male - sliding | EP-MS | 14mm (27mm) | Titanium | 140g | |
| 6 | Pyramid female - sliding /rotating | EP-FSR | 33mm (33mm) | Titanium | 150g | } 150kg / 1-3 145kg / 1-4 |
| | Pyramid female - sliding | EP-FS | 28mm (28mm) | Titanium | 150g | |
| 7 | Pyramid male 4-bolt - sliding & rotating | 169407 | 15mm | Aluminium/ Titanium | 125g | 150kg / 1-3 145kg / 1-4 |
| 8 | Pyramid male - sliding & rotating | 239017 | 7mm (22mm) | Alum/Titanium | 50g | 166kg / 4 |
| | Non-rotating male pyramid adapter | 239089 | 7mm (22mm) | Alum/Titanium | 50g | 166kg / 4 |
| 9 | Pyramid male - Endolite dome | P189610 | 23mm | Aluminium/ St. Steel | 155g | 125kg / 1-3 100kg / 1-4 |
| 10 | Pyramid female - Endolite dome | P409049 (large) | 45mm | Aluminium/ St. Steel | 209g | 150kg / 1-3 145kg / 1-4 |
| | | P409050 (small) | 45mm | | | |
| 11 | Pyramid male - Endolite knee chassis | 189127 | 5mm (25mm) | Aluminium/ St. Steel | 103g | 125kg / 1-3 100kg / 1-4 |
| | | 189227 | 10mm | Alu/ St. Steel | 103g | |
| | | 189327 | 15mm | Alu/ St. Steel | 103g | |
| 12 | Pyramid female long - Endolite knee chassis | 409042 | 25mm (40mm) | Aluminium/ Titanium | 130g | 125kg / 1-3 100kg / 1-4 |
| 13 | Pyramid female short - Endolite knee chassis | 409041 | 10mm (25mm) | Aluminium/ Titanium | 110g | 125kg / 1-3 100kg / 1-4 |
| 14 | Full alignment kit TT - Endolite dome | 189906 (standard) | 20mm | Aluminium/ Titanium | 122g | 125kg / 1-3 100kg / 1-4 |
| | | 189907 | 30mm | Alu/Titanium | 79g | |
| | | 189607 | 40mm | Alu/Titanium | 108g | |
| 15 | Full alignment kit TF - Endolite dome | 189806 (standard) | 20mm | Aluminium | 183g | 125kg / 1-3 100kg / 1-4 |
| | | 189805 | 10mm | Aluminium | 61g | |
| | | 189807 | 30mm | Aluminium | 93g | |
| | | 189808 | 15mm | Aluminium | 81g | |
| | | 189809 | 25mm | Aluminium | 83g | |
| 16 | Full alignment kit TF - KX06 | 169207 | 20mm | Aluminium | 185g | 150kg / 1-3 145kg / 1-4 |
| 17 | Full alignment kit TF - Short knee | 189125 | 20mm | Aluminium | 140g | 125kg / 1-3 100kg / 1-4 |
| 18 | Full alignment kit TF - 4-bolt ESK+ and Mercury | 239032 | 56mm - 4-bolt/mercury 48mm - mercury | Aluminium | 170g | 125kg / 1-3 100kg / 1-4 |
| 19 | Turntable kit TF | 189123 | 40mm | Aluminium | 330g | 125kg / 1-3 100kg / 1-4 |
| 20 | 4-bolt adapter kit TF - Endolite chassis to 4-bolt | 189110 | 15mm (35mm) | Aluminium/ Titanium | 97g | 125kg / 1-3 100kg / 1-4 |
| | | 189910 | 10mm Lengthening | Alu/Titanium | | |
| | | 189810 | 10mm Shortening | Alu/Titanium | | |
| 21 | Wood adapter TF - full alignment | 189113 | 40mm (96mm) | Alu/ Wood | 612g | 125kg / 1-3 100kg / 1-4 |
| | | 189815 | 10mm Lengthening | Aluminium | | |
| | | 189811 | 10mm Shortening | Aluminium | | |
| 22 | M36 Adapter | 239092 | 14mm | Alum/St. Steel | | 125kg / 1-3 100kg / 1-4 |
| 23 | Pyramid female - sliding & rotating | 189128 | 28mm | Alum/Titanium | 114g | 166kg / 4 |

Adapters

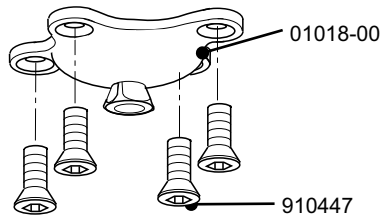


| Description | Part Number | Build height | Material | Weight | Max. User wt. /Activity Level |
|---|-------------|--------------|-----------|--------|-------------------------------|
| Cup & Strut kit TF- full alignment | | | | | |
| 10mm,100mm dia.cup | 189117 | 25mm | Aluminium | 466g | } 125kg / 1-3 100kg / 1-4 |
| 10mm Lengthening | 189707 | 35mm | Aluminium | 83g | |
| 10mm Shortening | 189906 | 15mm | Aluminium | 121g | |
| 10mm,115mm dia.cup | 189118 | 25mm | Aluminium | 528g | |
| 10mm,130mm dia.cup | 189119 | 25mm | Aluminium | 556g | |
| Cup & Strut kit TF- Endolite dome | | | | | |
| 100mm dia.cup | 189217 | 20mm | Aluminium | 354g | } 125kg / 1-3 100kg / 1-4 |
| 115mm dia.cup | 189218 | 20mm | Aluminium | 418g | |
| 130mm dia.cup | 189219 | 20mm | Aluminium | 442g | |
| Thigh Release Mounting Kit | 099028 | N/A | N/A | N/A | |

Adapters Schematics

3. Pyramid 4-bolt

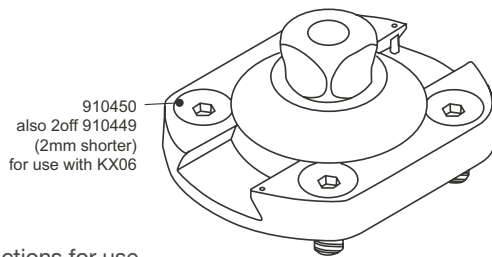
P189310



Instructions for use 938282

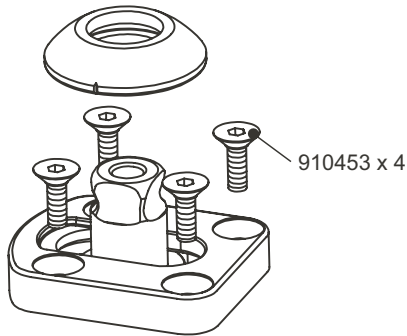
5. TF Pyramid Male Sliding/Rotating
TF Pyramid Male Sliding

EP-MSR
EP-MS



Instructions for use
EP-MSR 938244
EP-MS 938243

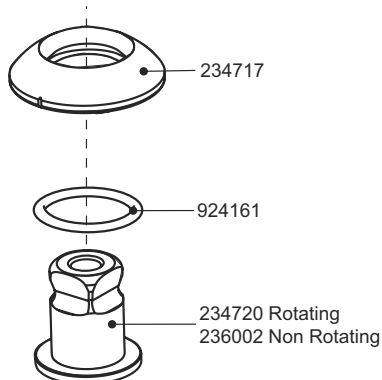
7. Pyramid male 4-bolt, sliding & rotating 169407



Instructions for use 938310

8. Pyramid Male Sliding Rotating
Non Rotating

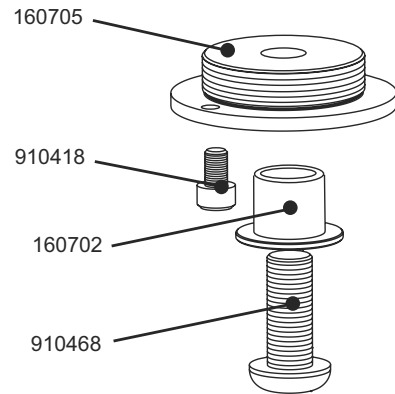
239017
239089



Instructions for use 938179

4. KX06 M36 adapter kit

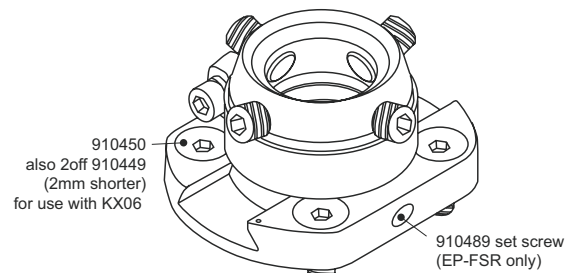
169307



Instructions for use 938281

6. TF Pyramid Female Sliding/Rotating
TF Pyramid Female Sliding

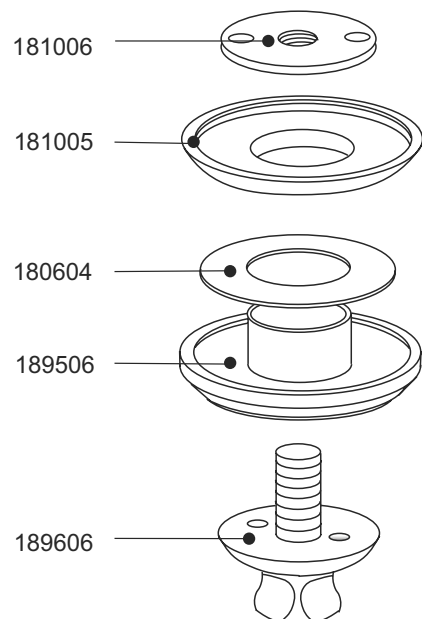
EP-FSR
EP-FS



Instructions for use
EP-FSR 938240
EP-FS 938241

9. TT Pyramid Alignment

P189610

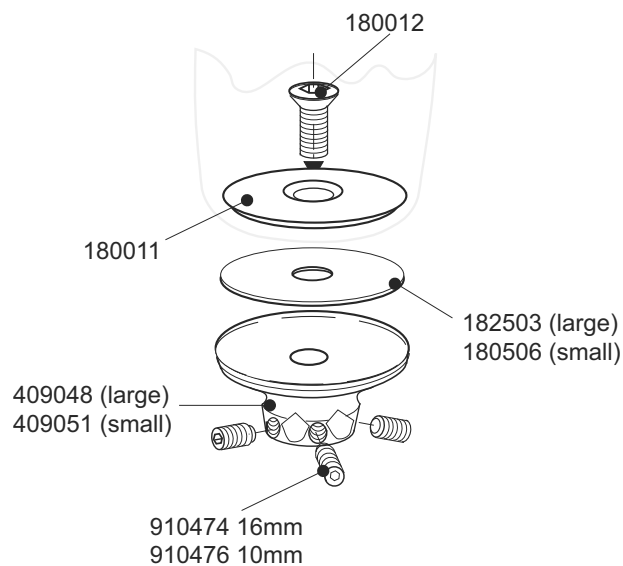


Instructions for use 938110

Build part numbers are for assembly guidance only and may not be for sale separately.

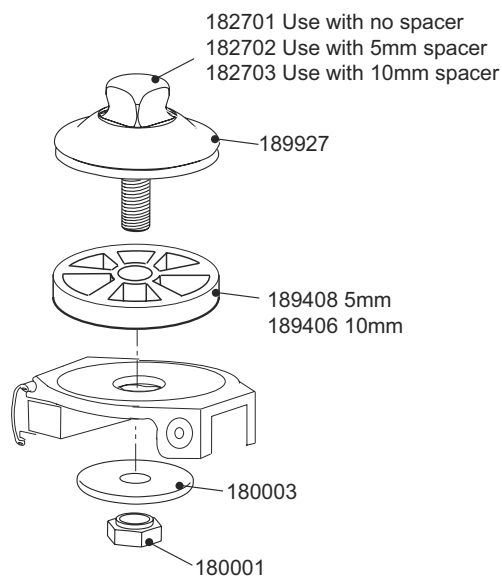
Adapters Schematics

10. Female pyramid adapter:
 Large P409049
 Small P409050



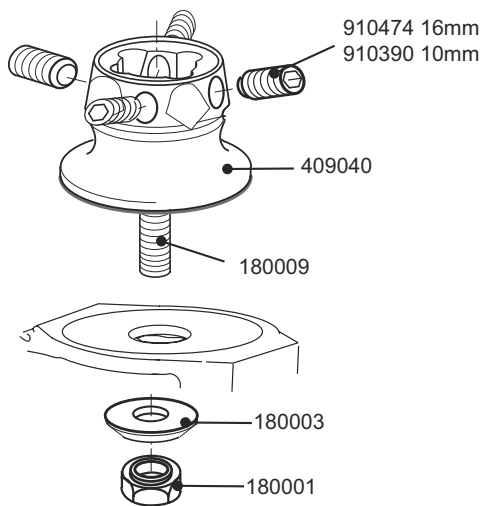
Instructions for use 938090

11. Full align. pyramid
 Standard 189127
 5mm spacer 189227
 10mm spacer 189327



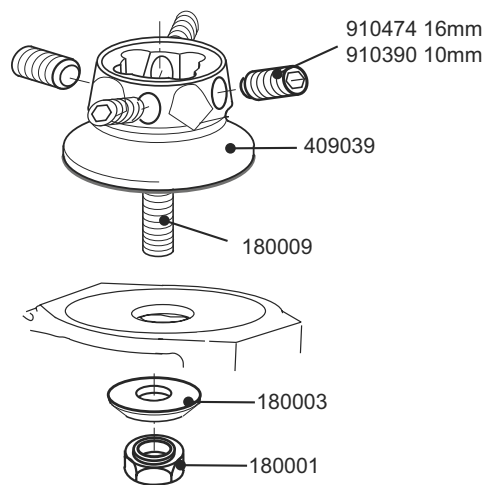
Instructions for use 938164

12. Pyramid shift adapter L: 409042



Instructions for use 938050

13. Pyramid shift adapter S 409041

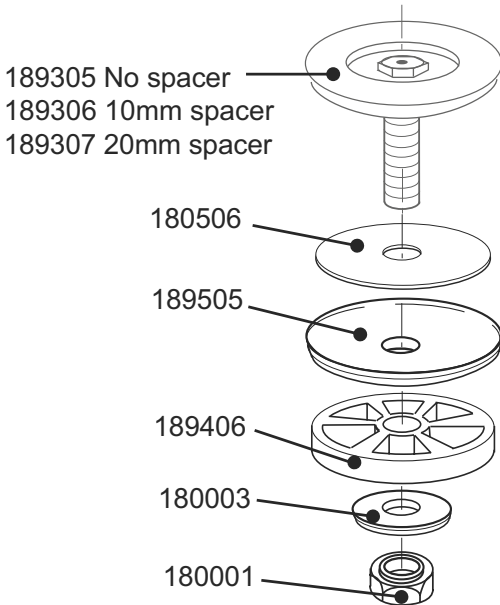


Instructions for use 938050

Adapters Schematics

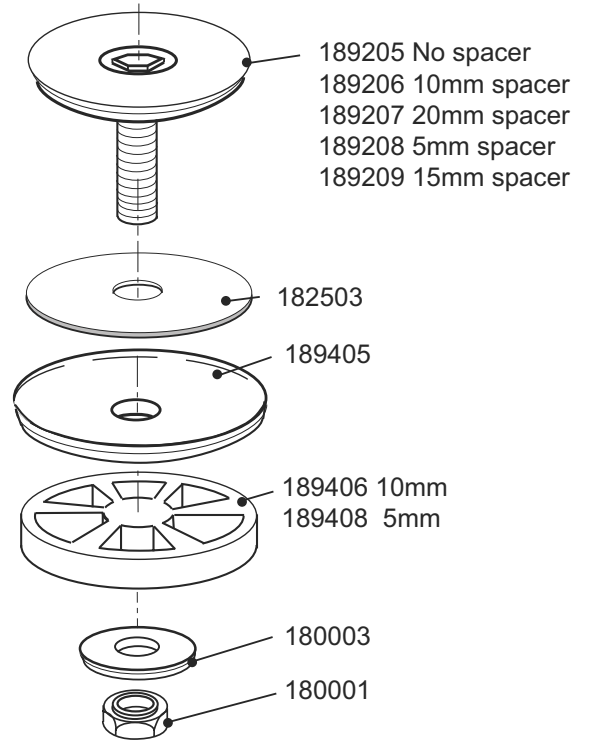
14. TT alignment kit

- Standard **189906**
- Lengthening 10mm **189907**
- Lengthening 20mm. **189607**

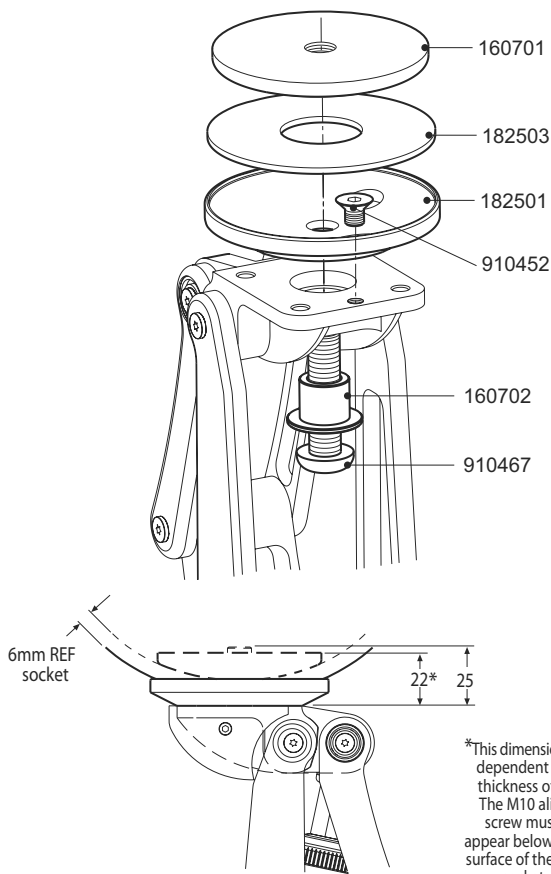


15. TF alignment kit

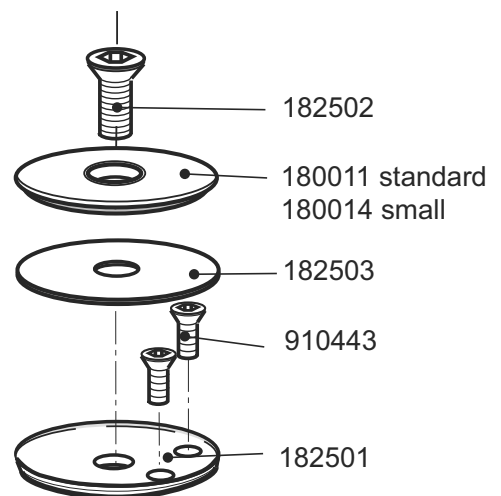
- standard **189806**
- shortening (10) **189805**
- lengthening (10) **189807**
- shortening (5) **189808**
- lengthening (5) **189809**



16. KX06 alignment kit **169207**



17. TF short knee adapter **189125**



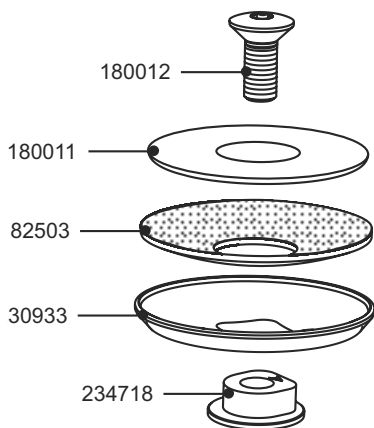
Instructions for use **938272**

Instructions for use **938050**

Build part numbers are for assembly guidance only and may not be for sale separately.

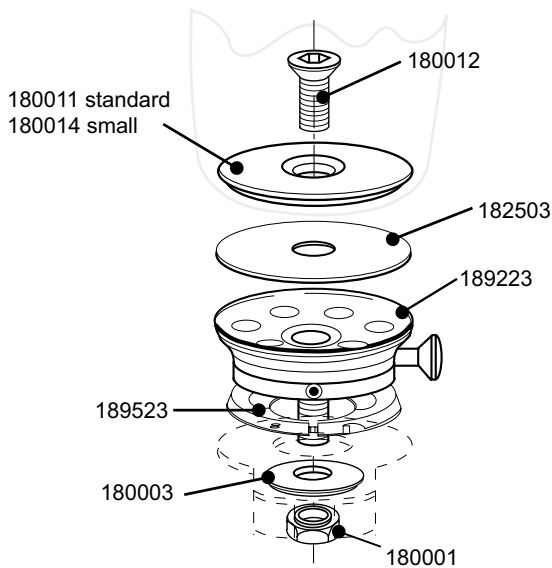
Adapters Schematics

18. Alignment kit 239032



Instructions for use 938265

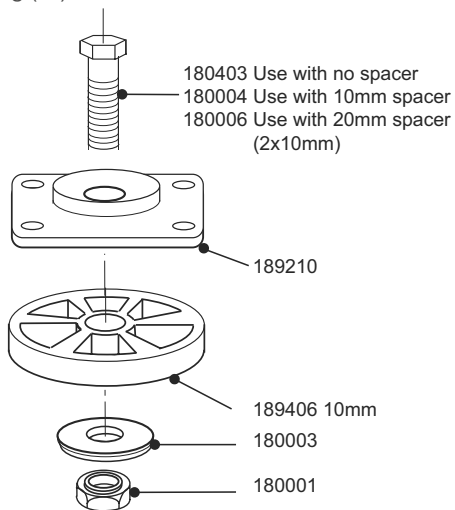
19. TF turntable kit 189123



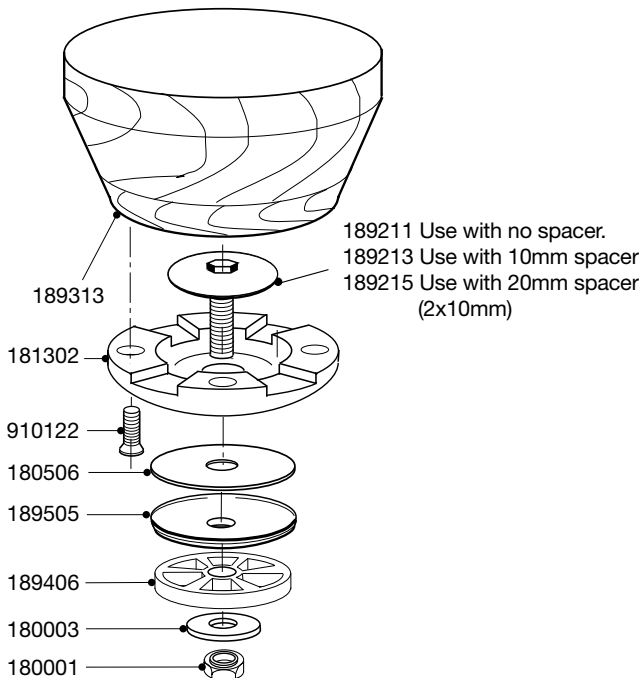
Instructions for use 934356

20. TF 4-bolt adapter kit

- Standard 189110
- Lengthening (10) 189910
- Shortening (10) 189810



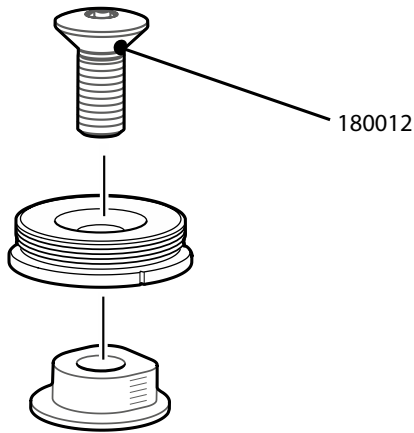
21. Wood adapter kit 189811, 189113, 189815 (see diagram)



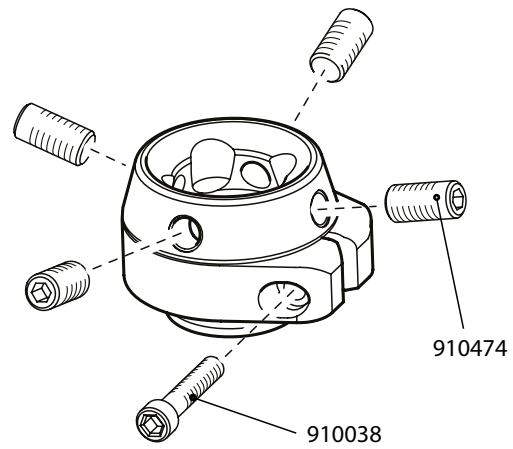
Instructions for use 934363

Adapters Schematics

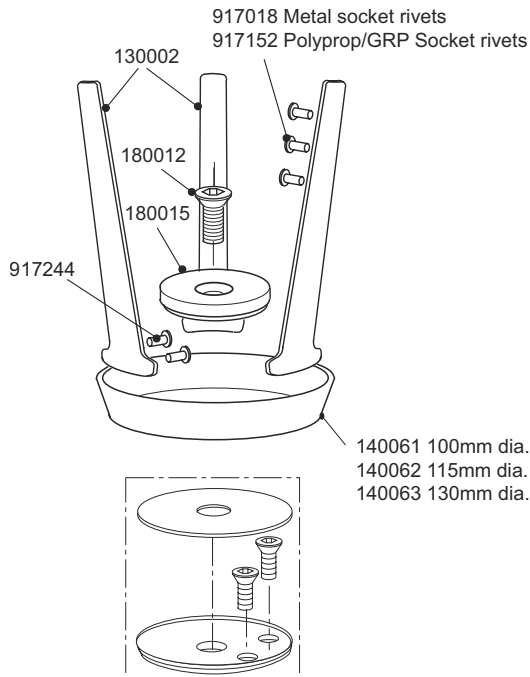
22. M36 Adapter 239092



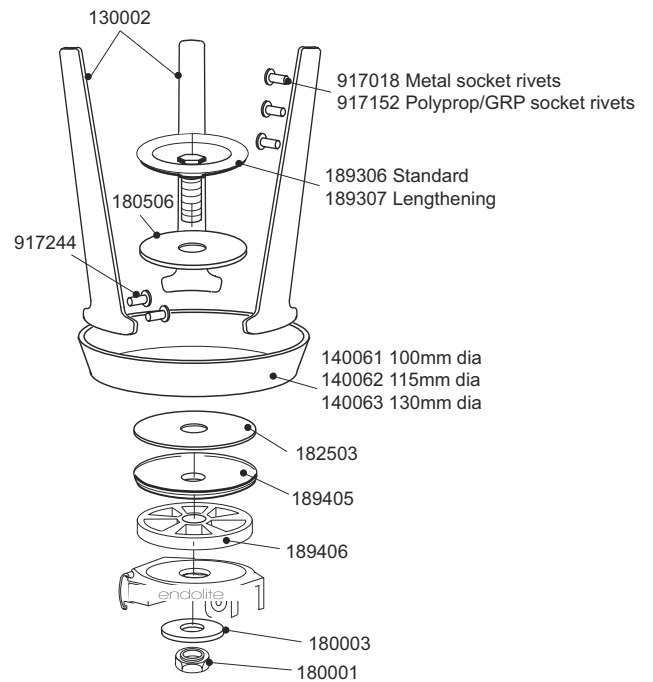
23. Pyramid female - sliding & rotating 189128



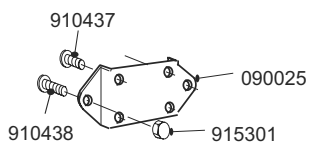
Cup & Strut kit TF - Endolite dome
 (metal cup 100mm dia.) 189217
 (metal cup 115mm dia.) 189218
 (metal cup 113mm dia.) 189219



Cup & Strut kit TF - full alignment
 110mm 189117
 10mm lengthening 189707
 10mm shortening 189906
 115mm 189118
 130mm 189119

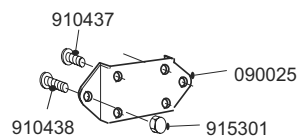


Thigh release mounting kit 099028



Instructions for use 934361

Thigh release mounting kit 099028



Instructions for use 934327

Adapters Schematics

| Number | Description | Part Number | Build height | Material | Weight | Max. User wt. /Activity Level |
|--------|--|------------------------------------|-----------------------|----------------------------|--------|----------------------------------|
| 1 | Tube clamp adapter pyramid female 30mm | AK30M1 | 15mm (51mm) | Titanium | 92g | 150kg / 1-3 145kg / 1-4 |
| 2 | Blade top housing TT male - sliding & rotating | 539601 | 7mm | Aluminium/ Titanium | 165g | 166kg / 1-3 130kg / 1-4 |
| 3 | Blade top housing TT female - sliding & rotating | 539602 | 28mm | Aluminium/ Titanium | 240g | 166kg / 1-3 130kg / 1-4 |
| 4 | Tube clamp double female/male adapter - 35mm to 30mm | 339301 | 34mm (85mm) | Aluminium | 102g | 125kg / 1-3 100kg / 1-4 |
| 5 | Pylon adapter pyramid female - 200mm long - 400mm long - 500mm long | 739052 | 15mm (51mm + tube) | Aluminium | 213g | 125kg / 1-3 100kg / 1-4 |
| | | 739053 | 15mm (51mm + tube) | Aluminium | 362g | 125kg / 1-3 100kg / 1-4 |
| | | 739054 | 15mm (51mm + tube) | Aluminium | 420g | 125kg / 1-3 100kg / 1-4 |
| 6 | High strength tube adapter single 30mm High strength tube adapter double 30mm | 239030 | 15mm (51mm + tube) | Titanium/ Carbon Fibre | 272g | 150kg / 1-3 145kg / 1-4 |
| | | 239029 | 40mm + tube (250 max) | Titanium/ Carbon Fibre | 364g | 150kg / 1-3 145kg / 1-4 |
| 7 | Pylon adapter pyramid female 30mm- low profile | 409053 | 60mm min, 90mm max | Aluminium | 97g | 125kg / 1-3 100kg / 1-4 |
| 8 | Pylon 30mm | 330120 | 250mm max | Carbon Fibre | 100g | 100kg / 1-3 100kg / 1-4 |
| | High strength pylon 30mm | 330146 | 250mm max | Carbon Fibre | 180g | 150kg / 1-3 145kg / 1-4 |
| | Pylon 30mm/500mm | 903220/500 | 500mm max | Aluminium | 360g | 125kg / 1-3 100kg / 1-4 |
| | Pylon 30mm/400mm | 903220/400 | 400mm max | Aluminium | 285g | 125kg / 1-3 100kg / 1-4 |
| | Pylon 30mm/200mm | 903220/200 | 200mm max | Aluminium | 150g | 125kg / 1-3 100kg / 1-4 |
| 9 | Pylon adapter 30mm - full alignment | 019231 | 95mm (280mm) | Aluminium/ Carbon Fibre | 348g | 100kg / 1-3 |
| 10 | Pylon adapter full alignment female 30mm- low profile | 339240 | 43mm (95mm) | Aluminium | 185g | 125kg / 1-3 100kg / 1-4 |
| 11 | Top housing TT 30mm - full alignment | 339008 | 25mm (59mm) | Aluminium | 142g | 100kg / 1-3 |
| 12 | Ankle disarticulation kit - Endolite dome* | 399101 | 20mm | Aluminium/ St. Steel | 141g | 125kg / 1-3 100kg / 1-4 |
| 13 | Multiflex Ankle/Seattle Lightfoot connector | 409012 | 4.5mm | St. Steel | 102g | 125kg / 1-3 100kg / 1-4 |
| 14 | Multiflex TT Kit | TTKIT3060L22 - TTKIT3080R30 | | (not shown) | | |

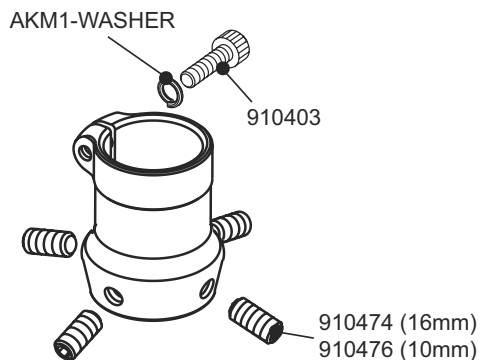
*for Seattle Lightfoot.

Tubes and Adapters



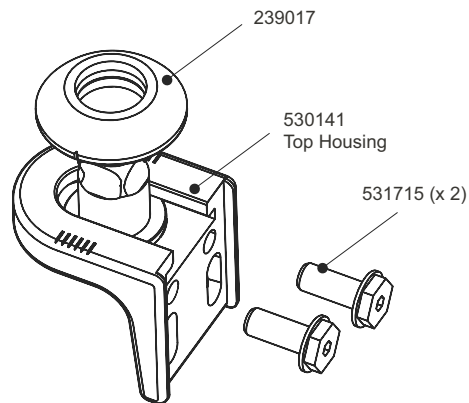
Adapters Schematics

Pyramid clamp 30mm AK30M1



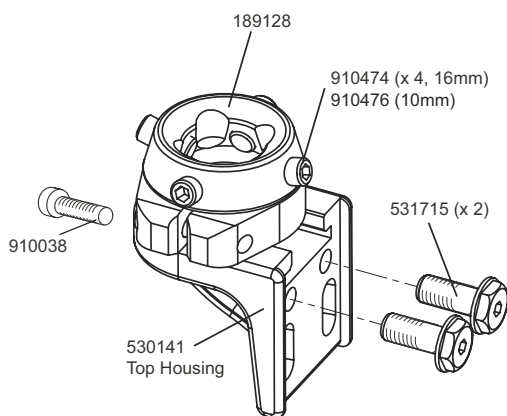
Instructions for use 938252

Blade and Javelin top 539601
Housing TT male



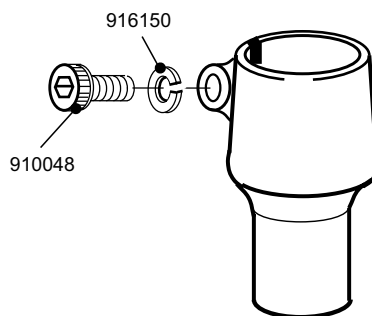
Instructions for use 938307 & 938179

Blade and Javelin top 539602
Housing TT female



Instructions for use 938307 & 938313

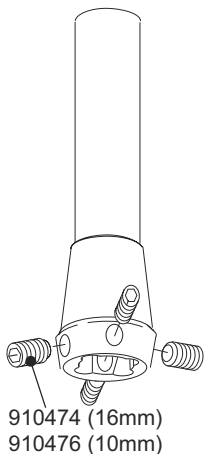
Tube clamp double female/male adapter - 339301
35mm to 30mm



Instructions for use 938073

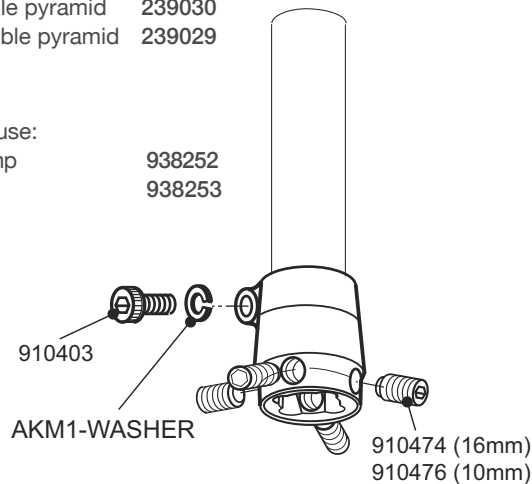
Bonded Pyramid Adapter - 30mm tube
200mm 739052
400mm 739053
500mm 739054

Instructions for use 938228



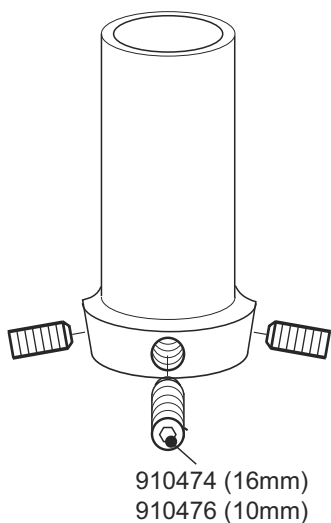
High Strength Shin Kit
30mm tube single pyramid 239030
30mm tube double pyramid 239029

Instructions for use:
30mm, tube clamp 938252
tube 938253



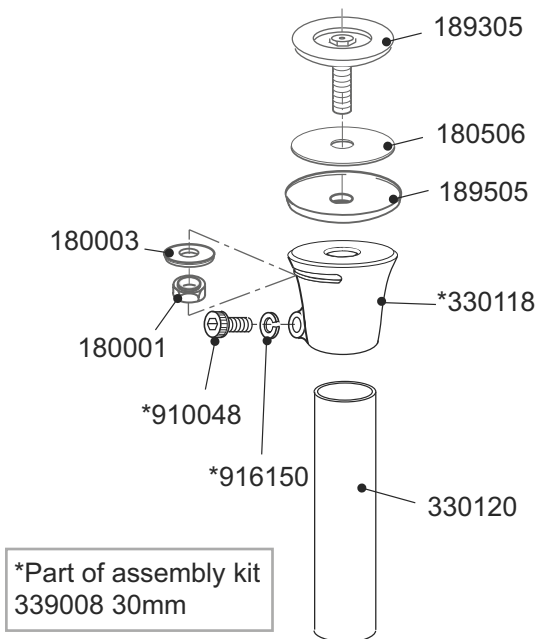
Adapters Schematics

Pyramid pylon 30mm 409053



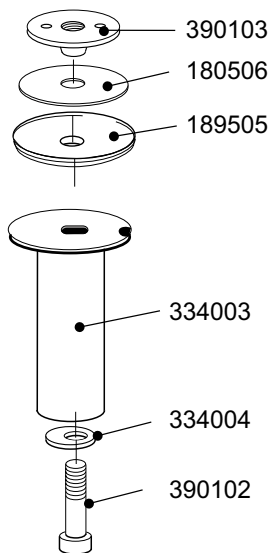
Instructions for use 938227

TT shin system - 30mm 019231



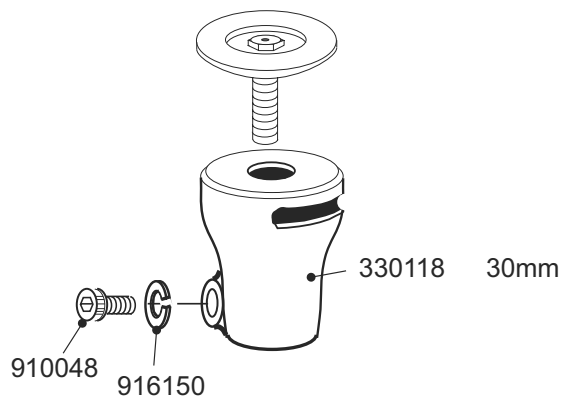
Instructions for use 934393

Long stump adapter 30mm dia 339240



Instructions for use 938069

Upper housing for TT - 30mm 339008

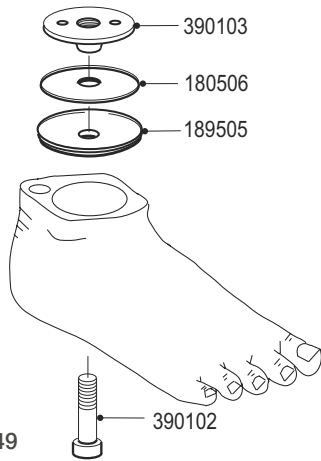


Instructions for use 938054

Multiflex Ankle Schematics

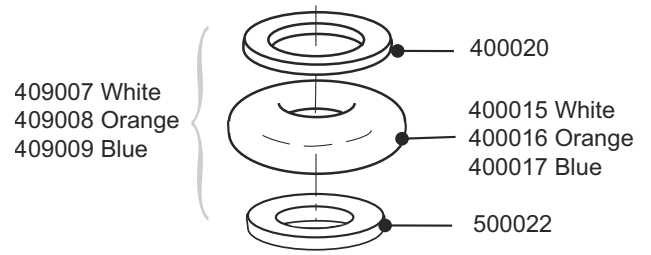
Ankle disartic. kit 399101

(For Seattle Lightfoot.)



Instructions for use 934349

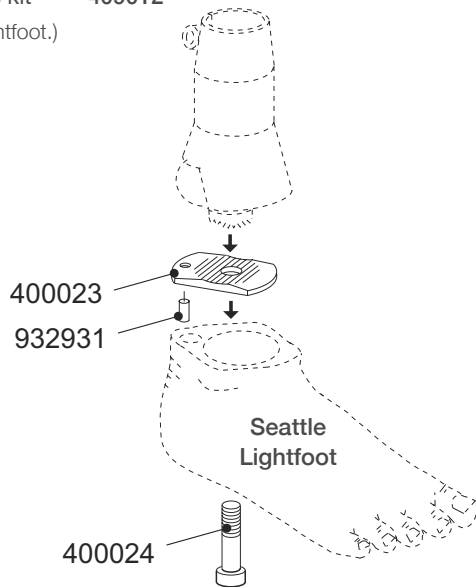
Snubber



Instructions for use 934331

Multiflex ankle kit 409012

(For Seattle Lightfoot.)



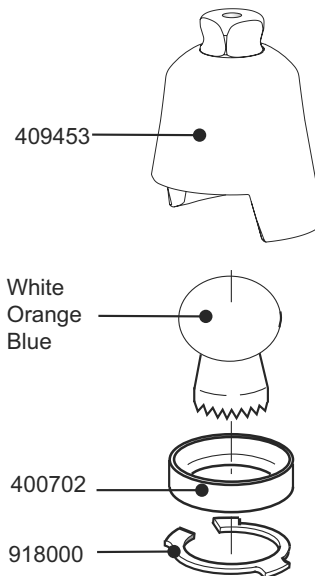
Instructions for use 934339

Multiflex ankle (pyramid)

60° (w) 409353

70° (o) 409354

80° (b) 409355



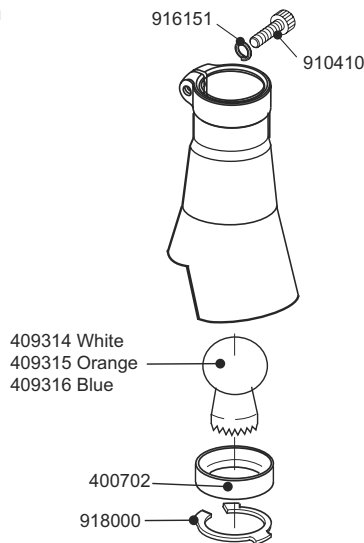
Instructions for use 938225

Multiflex ankle 30mm

60° (w) 379342

70° (o) 379343

80° (b) 379344



Instructions for use 938224

Build part numbers are for assembly guidance only and may not be for sale separately.

Multi-axial ankle function for secure foot placement during gait.

Multiflex Ankle

Ankle Part Number and Description

Snubber Part Number and Description

Max. User Weight/ Activity Level Description

379342 Multiflex ankle W 30mm
 379343 Multiflex ankle O 30mm
 379344 Multiflex ankle B 30mm

409007 - snubber W 60°
 409008 - snubber O 70°
 409009 - snubber B 80°

125kg / 1-3



409353 Pyramid Multiflex W
 409354 Pyramid Multiflex O
 409355 Pyramid Multiflex B

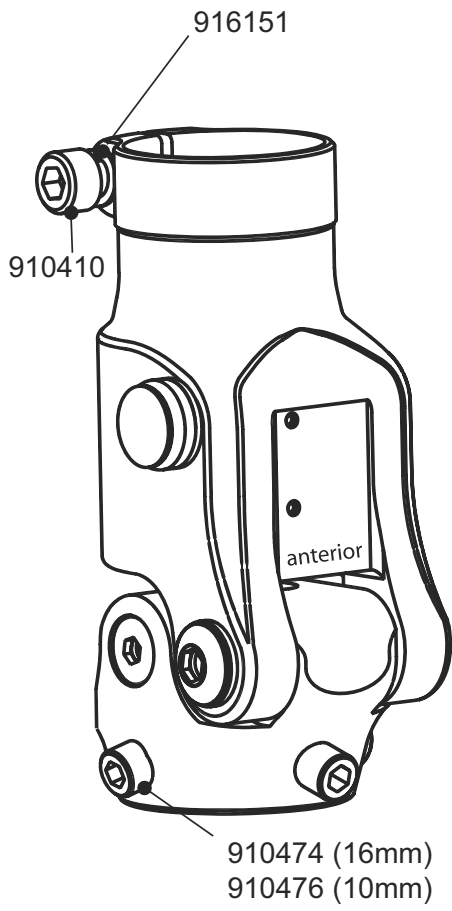
409007 - snubber W 60°
 409008 - snubber O 70°
 409009 - snubber B 80°

125kg / 1-3



| Build height | Material | Weight | Ankle and snubber selection |
|--------------|-----------------------------|--------|------------------------------------|
| 60mm | Aluminium | 201g | |
| 58mm | Aluminium & Stainless Steel | 199g | <p>Snubber for standard ankle:</p> |

Brio Schematics



Instructions for use 938261

Unique push button device that allows the user to adjust heel height for shoe changes or bare foot walking. 25mm range of adjustment.

Brio

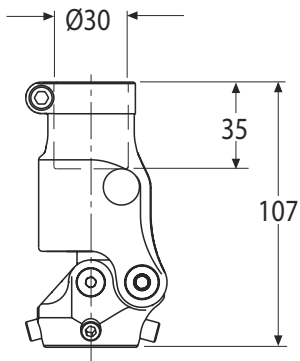
Specifications

| | |
|---|--------------------------|
| Max. User Weight/Activity Level: | 100kg/ 1-4 125kg/ 1-3 |
| Component Weight: | 395g |
| Build Height: | 107mm |
| System Diameter: | 30mm |

Part Number

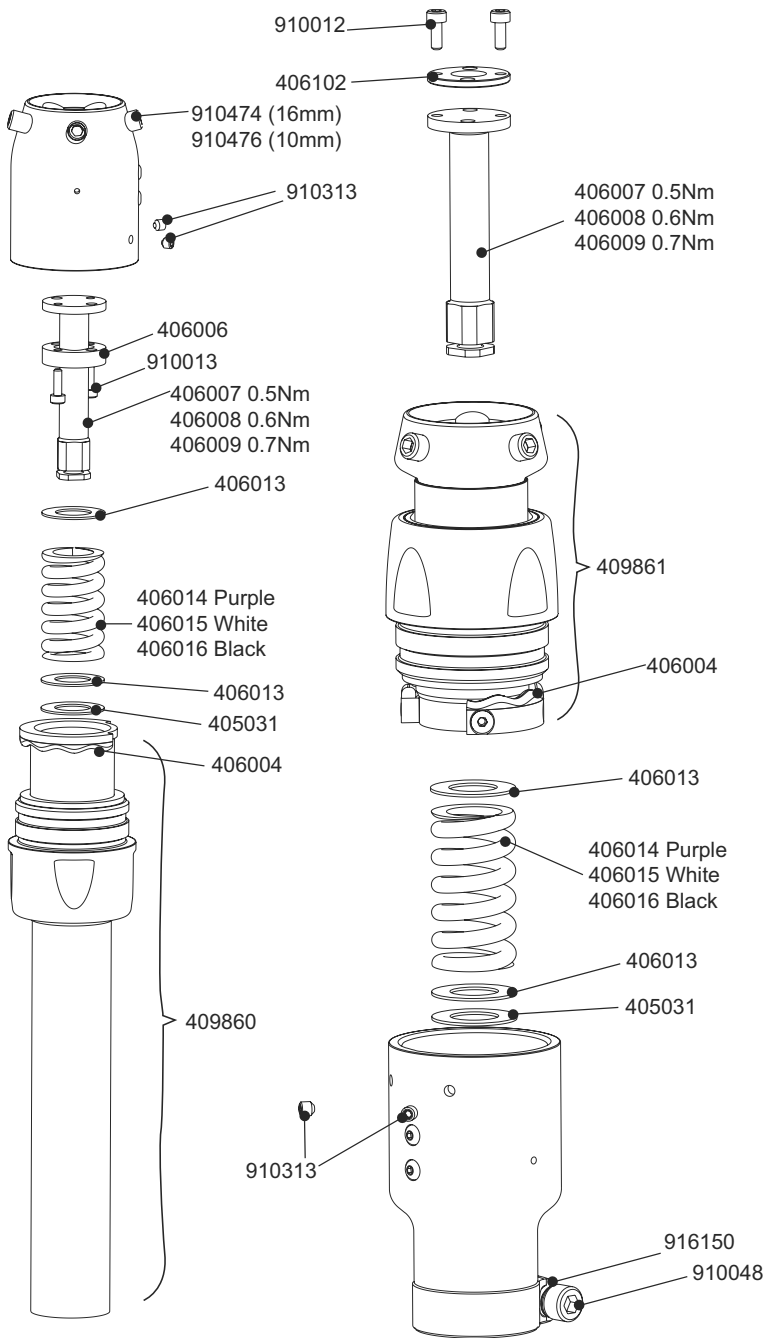
BRIO30

Build Height



Suitable for outdoor use

TTPro Schematics



Instructions for use
 Pyramid 938248
 Clamp 938257

Ancillary component designed to cushion shock and shear forces caused by vertical and rotational movement. Ideal for sports and activities such as golf, tennis and hiking.

TTPro

Specifications

| | |
|---------------------------------------|--------------------------------------|
| Max. User Weight/Impact Level: | 100kg/ 1-4 125kg/ 1-3 |
| Component Weight: | From 317g |
| Build Height: | 135mm - 260mm (pyr) 145mm (clamp) |
| System diameter: | 30mm |



Pyramid



Clamp



Suitable for outdoor use

Order Example

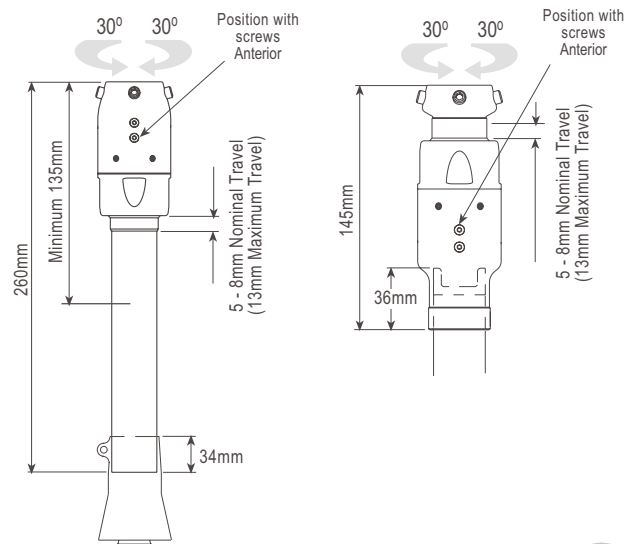
| Pyramid | | | |
|--------------|------------|------------|----------|
| Product Code | Rod | Spring Set | |
| TTPRO | PYR | 3 | B |

eg. TTPRO-PYR3B

| Clamp | | | |
|--------------|-----------|------------|----------|
| Product Code | Rod | Spring Set | |
| TTPRO | 30 | 3 | B |

eg. TTPRO-30-3B

Build Height



| Impact Level | User Weight | | | | | | | | Rod and Spring Set |
|--------------|------------------|------------------|------------------|------------------|------------------|-------------------|--------------------|--------------------|--------------------|
| | 44-52 100-115 | 53-59 116-130 | 60-68 131-150 | 69-77 151-170 | 78-88 171-195 | 89-100 196-220 | 101-116 221-255 | 117-125 256-275 | |
| Low | 1P | 2P | 2P | 2W | 2W | 3B | 3B | 3B | |
| Moderate | 2P | 2W | 3W | 3W | 3B | 3B | 3B | 3B | |
| High | 3W | 3W | 3B | 3B | 3B | 3B | - | - | |

41
32



silcare breathe

Liners



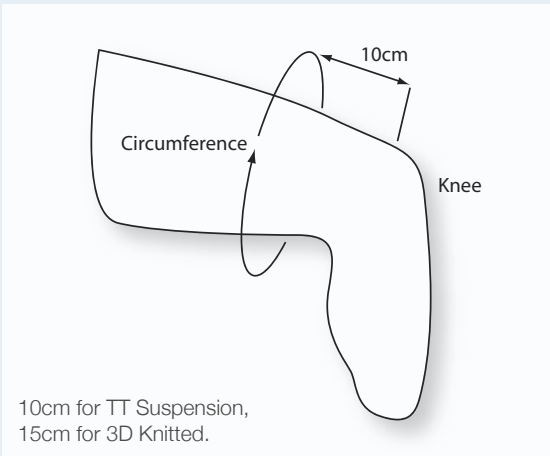
Silcare Breathe Liner - Cushion



Guide to Measurements

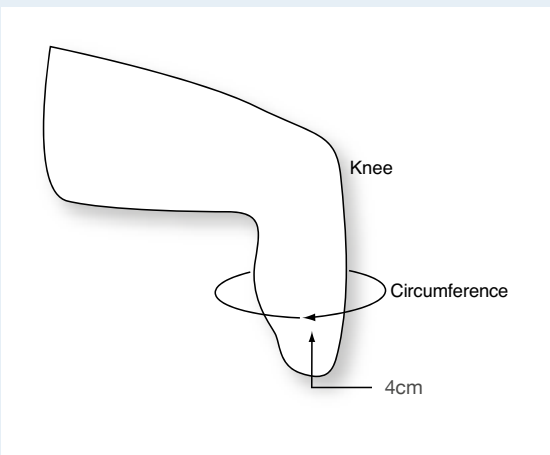
Suspension Sleeves

How to size, measurements taken 10cm or 15cm above patella.



Liners

How to size, measurements taken 4cm from the distal end, depending on liner brand as shown.



Features

- Trans-tibial
- Laser perforations distributed uniformly along the length and distal end to permit escape of air and moisture
- Seamless bi-directional stretch to improve comfort and contouring. Shear forces on the knee are reduced as it flexes
- Tendresse™ finish reduces shear stress on the skin
- Use with a one-way valve helps to generate a better vacuum and more secure fit
- 6 month warranty

Part Numbers

SBTTCPXXL Silcare Breathe

XX indicates size, see sizing chart and illustrations for details

Sizing Chart

Measurements taken 4cm from the distal end

| Measured Size (cm) | Part Number | Description |
|--------------------|------------------|-----------------------|
| 22cm | SBTTCP22L | Silcare Breathe 22 |
| 23.5cm | SBTTCP23L | Silcare Breathe 23.5* |
| 25cm | SBTTCP25L | Silcare Breathe 25 |
| 26.5cm | SBTTCP26L | Silcare Breathe 26.5* |
| 28cm | SBTTCP28L | Silcare Breathe 28 |
| 30cm | SBTTCP30L | Silcare Breathe 30 |
| 32cm | SBTTCP32L | Silcare Breathe 32 |
| 34cm | SBTTCP34L | Silcare Breathe 34 |
| 36cm | SBTTCP36L | Silcare Breathe 36 |
| 40cm | SBTTCP40L | Silcare Breathe 40 |

*note- 23.5 = SBTTCP23L , 26.5 = SBTTCP26L

Valves and accessories recommended for use in conjunction with the EchelonVAC can be found on page 128.

Silcare Breathe Liner - Locking



Features

- Trans-tibial
- Laser perforations distributed uniformly along the length and distal end to permit escape of air and moisture
- Locking system and unique one way valve create an airtight seal between the skin and the inner surface of the liner. No separate suspension sleeve is required contributing to a cooler environment for skin and a more comfortable limb and socket connection.
- Uni-directional stretch at the distal end resists pistoning whilst bi-directional stretch at the proximal end allows for comfortable knee flexion.
- Tendresse™ finish reduces shear stress on the skin
- 6 month warranty

Part Numbers

SBTTLPXXL Silcare Breathe

XX indicates size, see sizing chart and illustrations for details

Sizing Chart

Measurements taken 4cm from the distal end

| Measured Size (cm) | Part Number | Description |
|--------------------|------------------|-------------------------------|
| 22cm | SBTTLP22L | Silcare Breathe Locking 22 |
| 23.5cm | SBTTLP23L | Silcare Breathe Locking 23.5* |
| 25cm | SBTTLP25L | Silcare Breathe Locking 25 |
| 26.5cm | SBTTLP26L | Silcare Breathe Locking 26.5* |
| 28cm | SBTTLP28L | Silcare Breathe Locking 28 |
| 30cm | SBTTLP30L | Silcare Breathe Locking 30 |
| 32cm | SBTTLP32L | Silcare Breathe Locking 32 |
| 34cm | SBTTLP34L | Silcare Breathe Locking 34 |
| 36cm | SBTTLP36L | Silcare Breathe Locking 36 |
| 40cm | SBTTLP40L | Silcare Breathe Locking 40 |

*note- 23.5 = SBTTLP23L , 26.5 = SBTTLP26L

Endolite Comfort Liner - Cushion



Features

- Trans-tibial
- Seamless bi-directional stretch to improve comfort and contouring
- Tendresse™ finish reduces shear stress on the skin
- 6 month warranty

Part Numbers

CTTCPXXL Comfort - Cushion

XX indicates size, see sizing chart and illustrations for details

Sizing Chart

Measurements taken 4cm from the distal end

| Measured Size (cm) | Part Number | Description |
|--------------------|-----------------|------------------------|
| 22cm | CTTCP22L | COMFORT - CUSHION 22 |
| 23.5cm | CTTCP23L | COMFORT - CUSHION 23.5 |
| 25cm | CTTCP25L | COMFORT - CUSHION 25 |
| 26.5cm | CTTCP26L | COMFORT - CUSHION 26.5 |
| 28cm | CTTCP28L | COMFORT - CUSHION 28 |
| 30cm | CTTCP30L | COMFORT - CUSHION 30 |
| 32cm | CTTCP32L | COMFORT - CUSHION 32 |
| 34cm | CTTCP34L | COMFORT - CUSHION 34 |
| 36cm | CTTCP36L | COMFORT - CUSHION 36 |
| 40cm | CTTCP40L | COMFORT - CUSHION 40 |

*note- 23.5 = CTTCP23L , 26.5 = CTTCP26L

Endolite Comfort Liner - Locking



Features

- Trans-tibial
- Pin lock version suitable for a variety of lock and pin preferences
- Stabilising external matrix with integrated stretch zones
- Tendresse™ finish reduces shear stress on the skin
- 6 month warranty

Part Numbers

CTTLPXXL Comfort - Locking

XX indicates size, see sizing chart and illustrations for details

Sizing Chart

Measurements taken 4cm from the distal end

| Measured Size (cm) | Part Number | Description |
|--------------------|-----------------|---------------------------|
| 22cm | CTTLP22L | COMFORT - TT LOCKING 22 |
| 23.5cm | CTTLP23L | COMFORT - TT LOCKING 23.5 |
| 25cm | CTTLP25L | COMFORT - TT LOCKING 25 |
| 26.5cm | CTTLP26L | COMFORT - TT LOCKING 26.5 |
| 28cm | CTTLP28L | COMFORT - TT LOCKING 28 |
| 30cm | CTTLP30L | COMFORT - TT LOCKING 30 |
| 32cm | CTTLP32L | COMFORT - TT LOCKING 32 |
| 34cm | CTTLP34L | COMFORT - TT LOCKING 34 |
| 36cm | CTTLP36L | COMFORT - TT LOCKING 36 |
| 40cm | CTTLP40L | COMFORT - TT LOCKING 40 |

*note- 23.5 = CTTLP23L , 26.5 = CTTLP26L

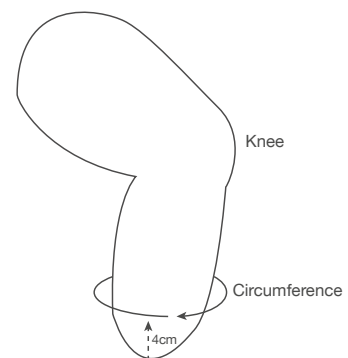
Parasil Liner



Silicone liner with a stabilising matrix and distal lock.

Part Numbers

| Description | Circumference (cm) | Part Number |
|-----------------------|--------------------|-------------|
| Parasil Locking Liner | 18 | 3020L-18 |
| Parasil Locking Liner | 20 | 3020L-20 |
| Parasil Locking Liner | 22 | 3020L-22 |
| Parasil Locking Liner | 23.5 | 3020L-23.5 |
| Parasil Locking Liner | 25 | 3020L-25 |
| Parasil Locking Liner | 26.5 | 3020L-26.5 |
| Parasil Locking Liner | 28 | 3020L-28 |
| Parasil Locking Liner | 30 | 3020L-30 |
| Parasil Locking Liner | 32 | 3020L-32 |
| Parasil Locking Liner | 34 | 3020L-34 |
| Parasil Locking Liner | 36 | 3020L-36 |
| Parasil Cushion Liner | 18 | 3020C-18 |
| Parasil Cushion Liner | 20 | 3020C-20 |
| Parasil Cushion Liner | 22 | 3020C-22 |
| Parasil Cushion Liner | 23.5 | 3020C-23.5 |
| Parasil Cushion Liner | 25 | 3020C-25 |
| Parasil Cushion Liner | 26.5 | 3020C-26.5 |
| Parasil Cushion Liner | 28 | 3020C-28 |
| Parasil Cushion Liner | 30 | 3020C-30 |
| Parasil Cushion Liner | 32 | 3020C-32 |
| Parasil Cushion Liner | 34 | 3020C-34 |
| Parasil Cushion Liner | 36 | 3020C-36 |



3D Knitted



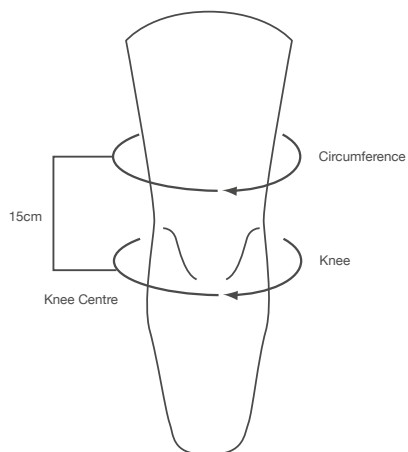
3D trans-tibial knitted sleeve.

Part Numbers

Description

- 3D Sleeve size 4
- 3D Sleeve size 5
- 3D Sleeve size 6

- 3DSST4**
- 3DSST5**
- 3DSST6**



| Size | 4 | 5 | 6 |
|---------------------|----|------|----|
| Circumference | | | |
| 15cm above KC | 38 | 39.5 | 41 |
| Circumference at KC | 31 | 32.5 | 34 |

TT Suspension



Neoprene trans-tibial sleeve.

Part Numbers

Trans-tibial Suspension Sleeves

029071
029078

| Size | Fitting Range | |
|------|---------------|--------|
| 1 | 240mm - 275mm | 029071 |
| 2 | 265mm - 305mm | 029072 |
| 3 | 290mm - 330mm | 029073 |
| 4 | 320mm - 360mm | 029074 |
| 5 | 350mm - 400mm | 029075 |
| 6 | 385mm - 440mm | 029076 |
| 7 | 425mm - 485mm | 029077 |
| 8 | 465mm - 530mm | 029078 |

See page 116 for sleeve and liner measuring guide.



Cosmesis

Ankle



Ankle cosmesis for Multiflex low profile feet.

Part Numbers

| | Left | Right | Size |
|---------------------------------|----------------|----------------|------------------|
| Low Profile Feet | | | |
| Multiflex Foot/ | 561068 | 561069 | 22/23/24 |
| Slim Multiflex | 561070 | 561071 | 25/26 |
| | 561072 | 561073 | 27/28 |
| | 561074 | 561075 | 29/30 |
| Super SACH Foot/ Senior Foot | P561081 | P561081 | All Sizes |

Universal TT Fairing

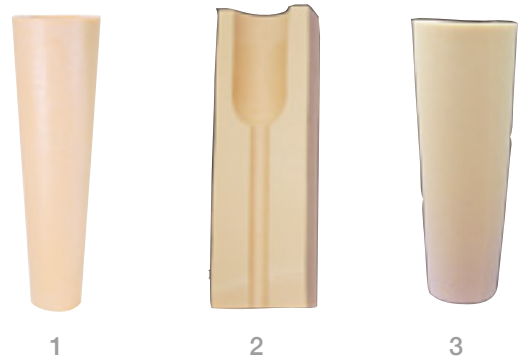


Universal trans-tibial shape cosmesis foam fairing with ankle clearance.

Part Number

Fairing universal shaped, 480mm long **561099**

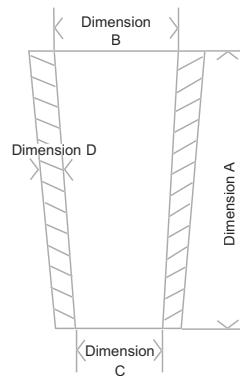
TT



Plastazote cone for trans-tibial cosmesis.

Part Numbers - 1

| Dimensions | | | | Number |
|-----------------------------|-----|----|----|---------------|
| A | B | C | D | |
| 470 | 135 | 85 | 27 | 561014 |
| 470 | 155 | 85 | 27 | 561015 |
| 470 | 175 | 85 | 27 | 561012 |
| Universal unshaped, 30/35mm | | | | 561077 |



Part Number - 2

30mm TT 2 step PE foam block **560043**

Part Number - 3

30mm TT 2 step PU foam **560040**

Demountable



Trans-femoral foam for demountable knees.

Foam for ESK+, Smart IP and S-Series knees

Part Numbers

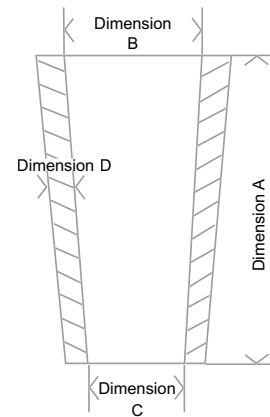
| | |
|----------------------------|---------------|
| Fairing Shaped Small Left | 561095 |
| Fairing Shaped Small Right | 561096 |
| Fairing Shaped Large Left | 561097 |
| Fairing Shaped Large Right | 561098 |

30mm pyramid based TF systems

| | |
|---|---------------|
| Internal 55mm bore extends 200mm below knee centre | 560031 |
| Internal 55mm bore extends 50mm below knee centre (suitable for Compact SAKL) | 560032 |

| | |
|----------------------------|---------------|
| Fairing Universal Unshaped | 561094 |
| Universal Unshaped | 561020 |

TF Thigh



Plastazote thigh fairing for upper part of discontinuous cosmesis.

Part Numbers

Dimensions

| A | B | C | D | Number |
|-----|-----|-----|----|---------------|
| 450 | 175 | 115 | 27 | 561001 |
| 450 | 200 | 140 | 27 | 561004 |
| 450 | 190 | 140 | 12 | 561051 |
| 450 | 150 | 100 | 12 | 561052 |

Junior



Low density foam fairing for childrens' system.

Part Numbers

| | |
|--|---------------|
| Universal unshaped, 25mm, standard | 561078 |
| Trans-tibial/ small Trans-femoral, (not shown) | |
| Preformed, Trans-femoral | 561079 |
| Fairing, Plastazote | 561080 |

Orion3



Durafoam fairing with low resistance knee flexion section to optimise gait changes

Foam fairing with low resistance knee flexion region.

Part Number

| | |
|---------------------|---------------|
| Orion3 knee fairing | 561093 |
|---------------------|---------------|

Wheelchair



Pre-shaped wheelchair cosmetic. Available in UK only.

Part Number

| | |
|--------------------------|---------------|
| Pre-shaped cosmetic limb | 560030 |
|--------------------------|---------------|

Mercury Discontinuous



Part Numbers

| Description | Dimension Distal | Proximal | Wall Dimension | Parts |
|----------------------|---------------------|----------|-------------------|---------------|
| Shin Fairing (1) | 85 mm | 135 mm | 27mm | 561014 |
| Shin Fairing (1) | 85 mm | 155 mm | 27mm | 561015 |
| Shin Fairing (1) | 85 mm | 175 mm | 27mm | 561012 |
| Thigh Fairing (2) | 115 mm | 175 mm | 27mm | 561001 |
| Thigh Fairing (2) | 140 mm | 200 mm | 27mm | 561004 |
| Thigh Fairing (2) | 140 mm | 190 mm | 12mm | 561051 |
| Thigh Fairing (2) | 100 mm | 150 mm | 12mm | 561052 |
| Shin Sleeve (3) | | | | 580048 |
| Knee ball small (4) | | | | 572501 |
| Knee ball medium (5) | | | | 572502 |
| Support sleeve (6) | | | | 572504 |



Pyramid version
not shown

| Distal Attachment and Cylinders | Discon Small *100mm with Cylinder | Discon Medium *110mm with Cylinder | Discon Small *100mm no Cylinder | Discon Medium *110mm no Cylinder |
|---|---|--|---------------------------------------|--|
| 30mm Distally | MHD30S | MHD30M | 239037 | 239038 |
| Pyramid Distally | MHDPYRS | MHDPYRM | 239040 | 239041 |
| Supplied with knee ball and support sleeve. Shin only - 239752 | | | Knee details on page 23 | |

Discontinuous



Discontinuous cosmesis articulates at the knee without affecting function. Robust for active users.

Part Numbers

| | |
|--|---------------|
| For use with ESK+, will allow up to 140° flexion | 579719 |
| For use with ESK+, 160H will allow up to 120° flexion only. Not suitable for ESK with Manual Knee Lock | 579819 |
| Knee ball assembly (contained within kit No. 579719) | 579419 |

Non-Definitive TT



Pre-shaped plastic cosmeses for temporary use.

Part Numbers

| | |
|------------------------|---------------|
| Cosmetic cover, small | 580011 |
| Cosmetic cover, medium | 580014 |
| Cosmetic cover, large | 580017 |

TT Fabric



Part Numbers

| Size | Foot Size | Colour Code | Light Tone | Medium Tone | Dark Tone |
|------|-----------|-------------|---------------|---------------|---------------|
| 1 | 22 - 25 | Yellow | 571251 | 571253 | 571252 |
| 2 | 24 - 27 | Blue | 571261 | 571263 | 571262 |
| 3 | 26 - 30 | Red | 571271 | 571273 | 571272 |

 Supplied in packs of two

TF Fabric



Part Numbers

| Size | Foot Size | Colour Code | Light Tone | Medium Tone | Dark Tone |
|------|-----------|-------------|---------------|---------------|---------------|
| 1 | 22 - 25 | Yellow | 571201 | 571203 | 571202 |
| 2 | 24 - 27 | Blue | 571211 | 571213 | 571212 |
| 3 | 26 - 30 | Red | 571221 | 571223 | 571222 |

 Supplied in packs of two

HD Fabric



Part Numbers

| Size | Foot Size | Colour Code | Light Tone | Medium Tone | Dark Tone |
|------|-----------|-------------|---------------|---------------|---------------|
| 4 | 26 - 30 | Green | 571231 | 571233 | 571232 |

 Supplied in packs of two

Stockings



Part Numbers

Unseamed toe, white nylon, 30 denier x 1.25m **909209**

Unseamed toe, brown nylon, 30 denier x 1.25m **909212**

Supplied in packs of two

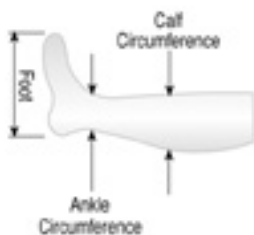
RPVC - TT



Part Numbers

Circumference

| Size | Calf | Ankle | Foot | Light Tone | Medium Tone | Dark Tone |
|--------------------------------------|------|-------|-------|------------|-------------|-----------|
| X. Small | 295 | 185 | 22-24 | 571081 | 571083 | 571082 |
| Small | 335 | 225 | 23-25 | 571091 | 571093 | 571092 |
| Medium | 345 | 225 | 25-27 | 571101 | 571103 | 571102 |
| Large | 355 | 235 | 27-28 | 571111 | 571113 | 571112 |
| X. Large | 355 | 235 | 29-30 | 571161 | 571163 | 571162 |
| Medium shin, regular ankle, footless | | | | | 570030 | |
| Medium shin, small ankle, footless | | | | | 570035 | |
| Medium shin, regular foot | | | | | 570049 | |



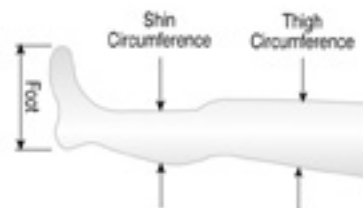
RSi - TF



Part Numbers

Circumference

| Size | Thigh | Shin | Foot | Light Tone | Medium Tone | Dark Tone |
|-------------|-------|------|-------|------------|-------------|-----------|
| Sml ladies | 420 | 320 | 23-24 | 571041 | 571043 | 571042 |
| Med ladies | 460 | 355 | 23-24 | 571051 | 571053 | 571052 |
| Sml mens | 420 | 320 | 25-26 | 571001 | 571003 | 571002 |
| Med mens | 460 | 355 | 25-26 | 571011 | 571013 | 571012 |
| Lrg mens | 490 | 400 | 26-28 | 571021 | 571023 | 571022 |
| X. Lrg mens | 545 | 400 | 26-28 | 571031 | 571033 | 571032 |



RPVC/RSi



Part Numbers

Description

| Size | A | B | Light Tone | Medium Tone | Dark Tone |
|----------|-----|-----|------------|-------------|-----------|
| Small | 485 | 295 | 571121 | 571123 | 571122 |
| Medium | 580 | 365 | 571131 | 571133 | 571132 |
| Large | 690 | 450 | 571141 | 571143 | 571142 |
| X. Large | 800 | 510 | 571151 | | 571152 |



RPVC (discon.)



Part Numbers

Circumference

| Size | 240mm above KC | |
|-------------------|----------------|--------|
| Light Tone | | |
| Ex. Small | 360 | 570063 |
| Small | 390 | 570001 |
| Medium | 410 | 570006 |
| Large | 430 | 570011 |
| X. Large | 520 | 570016 |



One Shot



Carbon fibre socket kit, single lamination lay up that is tested to 150kg for moderate activity. Available in both male and female pyramid version.

User weight/ Activity Level: 145kg/ 1-4
150kg/ 1-3

Part Numbers

| | |
|-------------------------------------|--------|
| One shot socket Male Pyramid 15cm | 109109 |
| One shot socket Male Pyramid 20cm | 109209 |
| One shot socket Female Pyramid 15cm | 109309 |
| One shot socket Female Pyramid 20cm | 109409 |

General Items

| Description | Width | |
|---|-------|--------|
| Carbon fibre tape | 38 | 909223 |
| Carbon fibre tape | 75 | 909222 |
| High density plastazote | | 905216 |
| Glass needle mat | | 909201 |
| Glass fibre stockinette | 100 | 909202 |
| Glass fibre stockinette | 150 | 909203 |
| Glass fibre stockinette | 200 | 909204 |
| Glass fibre stockinette | 300 | 909205 |
| Nylon stockinette | 100 | 909103 |
| Nylon stockinette | 150 | 909107 |
| Non-woven terylene felt | | 909100 |
| Polyester resin, rigid | | 905001 |
| Polyester resin, flexible | | 905002 |
| Accelerator | | 905003 |
| Catalyst | | 905004 |
| Pigment, flesh | | 927301 |
| Acrylic resin, ready mixed 80/20 (4.6 kg) | | 905100 |
| Acrylic resin, C (0.9 kg) | | 905102 |
| Hardener powder (0.15 kg) | | 905106 |
| Sealing resin (0.9 kg) | | 905110 |
| Colour paste, light/skin | | 905115 |
| Colour paste, white | | 905116 |
| Colour paste, brown | | 905117 |
| Hard foam H300 (4.6 kg) | | 905121 |
| Hardener for H300 (4.6 kg) | | 905131 |
| Cast resin 103P (4.6 kg) | | 905140 |

Hip disarticulation support plate

| | |
|-------------------------------|--------|
| Carbon fibre plate lay-up kit | 099933 |
|-------------------------------|--------|

Locks



Endolite socket lock.

Part Numbers

| | |
|--|--------|
| Socket Lock for use with Silicone Sockets (supplied with M10 Lock Rod) | 109108 |
| Lock Rod Assembly M10 | 109308 |
| Lock Rod Assembly 1/4" UNC | 109408 |

Valves



Part Numbers

| | |
|--|--------|
| Trans-femoral Suction Socket Valve Kit | |
| Standard 19mm dia. orifice | 099132 |
| Large 24mm dia. orifice | 099134 |
| Trans-femoral, Flexible Socket Valve Kit | |
| Large 24mm dia. orifice | 099135 |

EchelonVAC Accessories

| | |
|-------------------------|--------|
| Lyn Valve BK2 | 929052 |
| Threaded Housing | 929053 |
| One-way check valve | 929054 |
| In-line filter | 929051 |
| Vacuum tubing 1m length | 905464 |
| Socket Connection Kit | 409663 |
| Check Valve Service Kit | 409863 |

Flexible Thermoplastic



Plastics for Thermoformed sockets.

Polyethylene PE MPE PLUS

Part Numbers

| Size | Thickness | Part Number |
|-----------|-----------|-------------|
| 305 x 305 | 6 | 904263 |
| 305 x 305 | 9 | 904264 |
| 343 x 343 | 6 | 904266 |
| 343 x 343 | 9 | 904267 |
| 406 x 406 | 6 | 904260 |
| 406 x 406 | 9 | 904261 |
| 420 x 460 | 9 | 904268 |

Seaflex



Seaflex flexible thermoplastic socket material
Polyolefin elastomer.

Part Numbers

| | |
|------------------|------------------|
| 12.7 x 406 | SFLEX40012.7N100 |
| 12.7 x 406 | SFLEX40012.7N200 |
| 12.7 x 406 | SFLEX40012.7N300 |
| 16 x 406 S | FLEX40016N200 |
| 9.5 x 406 | SFLEX4009.5N300 |
| 1220 x 812 x 9.5 | SFLEX9.5N100 |
| 1220 x 812 x 9.5 | SFLEX9.5N200 |
| 1220 x 812 x 9.5 | SFLEX9.5N300 |

Laminated Sockets ISNY type Trans-femoral
Frame lamination kit, 4mm core (long stump) **932362**

Liner Materials



Cross linked expanded polyethylene foam
(170kg/m³).

Part Numbers

| Sheet Size | Thickness | Part Number |
|-------------|-----------|-------------|
| 950 x 950 | 2 | NFOAM2F170 |
| 950 x 950 | 2 | NFOAM2W170 |
| 950 x 950 | 3 | NFOAM3F170 |
| 950 x 950 | 3 | NFOAM3W170 |
| 950 x 950 | 5 | NFOAM5F170 |
| 1000 x 1000 | 5 | NFOAM5W170 |
| 950 x 950 | 7 | NFOAM7F170 |
| 1000 x 1000 | 7 | NFOAM7W170 |

Flesh colour cross linked expanded polyethylene foam
(33 kg/m³)

| Sheet Size | Thickness | Part Number |
|-------------|-----------|-------------|
| 1000 x 2000 | 12 | 905227 |
| 1000 x 2000 | 27 | 905226 |
| 1000 x 2000 | 30 | 905228 |

Flexible socket liner with "silver shield" EVA/low density polyethylene

| Sheet Size | Thickness | Part Number |
|------------|-----------|-----------------|
| 343 x 343 | 9 | NVANESQ3439N24 |
| 343 x 343 | 12 | NVANESQ34312N24 |
| 406 x 406 | 6 | NVANESQ4006N24 |
| 406 x 406 | 9 | NVANESQ4009N24 |
| 406 x 406 | 12 | NVANESQ40012N24 |

Important

In accordance with COSHH regulations Safety Data Sheets are available on all parts listed in this Section. Copies of relevant Data Sheets are available on request. Note: Hazardous and Inflammable Products. Certain products listed in this section are hazardous and/or inflammable and may be subject to transport restrictions. Our customer service department will confirm whether or not products can be dispatched by your chosen method.

Socket Materials



Extruded natural polypropylene homo-polymer.

Part Numbers

| Size | Thickness | Part Number |
|-----------|-----------|-------------|
| 343 x 343 | 12 | HPPSQ34312N |
| 406 x 406 | 12 | HPPSQ40612N |
| 406 x 406 | 15 | HPPSQ40615N |

Extruded natural polypropylene co-polymer

| Size | Thickness | Part Number |
|-----------|-----------|----------------|
| 305 x 305 | 12 | CPPSQ30512N |
| 305 x 305 | 12 | CPPSQ30512F |
| 343 x 343 | 12 | CPPSQ34312N |
| 343 x 343 | 12 | CPPSQ34312F |
| 343 x 343 | 15 | CPPSQ34315N |
| 343 x 343 | 15 | CPPSQ34315F |
| 406 x 406 | 12 | CPPSQ40612N |
| 406 x 406 | 12 | CPPSQ40612F |
| 406 x 406 | 15 | CPPSQ40615N |
| 406 x 406 | 15 | CPPSQ40615F |
| 420 x 460 | 15 | CPPSQ46042015N |
| 420 x 460 | 15 | CPPSQ46042015F |

Note: N = natural F = flesh

Semi-rigid diagnostic thermoplastic sockets.

Compression moulded PETG co-polyester.

| Size | Thickness | Part Number |
|-----------|-----------|----------------|
| 305 x 305 | 6 | NPLEXSQ3056 |
| 305 x 305 | 9 | NPLEXSQ3059 |
| 343 x 343 | 9 | NPLEXSQ3439 |
| 406 x 406 | 6 | NPLEXSQ4066 |
| 406 x 406 | 9 | NPLEXSQ4069 |
| 406 x 406 | 12 | NPLEXSQ40612 |
| 406 x 406 | 15 | NPLEXSQ40615 |
| 420 x 460 | 9 | NPLEXSQ4604209 |

Semi-rigid thermoplastic reinforcing socket pads - flesh colour polypropylene co-polymer.

| | |
|---|--------|
| Pad, reinforcing plate, suspension TF PP socket | 090015 |
| Pad, reinforcing plate, suspension and release control TF PP socket | 090016 |
| Pad, reinforcing plate, thigh release control TF PP socket | 090021 |

Roehampton



Silesian style suspension system.

Part Numbers

Roehampton Soft Suspension Kit (Silesian)

029127

Sundries

Important

In accordance with COSHH regulations Safety Data Sheets are available on all parts listed in this Section. Copies of relevant Data Sheets are available on request. Note: Hazardous and Inflammable Products. Certain products listed in this section are hazardous and/or inflammable and may be subject to transport restrictions. Our customer service department will confirm whether or not products can be dispatched by your chosen method.

Stockings



- Unseamed, white nylon, 30 denier x 1.25m **909209**
 Unseamed, white nylon, 22 denier x 1.25m **909210**
 Unseamed, brown nylon, 30 denier x 1.25m **909212**



- Nylon tubular 10cm - 50m roll **909103**
 Nylon tubular 15cm **909107**
 Cotton 4" - 10m roll **930004**
 Cotton 6" - 10m roll **930007**

Spatulas



- Spatula, wood **937040**

Sundries



- Casting pants, hip disarticulation (shown) **609175**

Casting Tights (Pink)



- Size large pink ballet tights 100% stretch polyamide (nylon) **932340**
 Size extra large pink ballet tights 100% stretch polyamide (nylon) **932341**

Velcro Tape



- Hook type self adhesive, 19mm (3/4") wide **909507**
 Loop type self adhesive, 19mm (3/4") wide **909508**

Tape



- Self adhesive, 50mm (2") double sided cloth **926401**
 Self adhesive, 25mm (1") clear PVC **926422**
 Cloth 50mm (2") **926402**

Stump Socks



- Stump sock cotton 12" **932310**
 Stump sock cotton 22" **932315**
 Stump sock for thermoforming sockets **932327**

- Body sock for hip disarticulation:
 Large, 65cm long, green stitching (BS01) **572001**
 Medium, 55cm long, red stitching (BS02) **572002**
 Small, 50cm long, blue stitching (BS03) **572003**

Pots



Mixing 16oz, polypropylene
Mixing 64oz, polypropylene

936030
936033

Cups



Paper chinacote, 9 fl. oz
Paper waxed, 24 fl. oz

937080
937081

Latex Cones



Latex, small
Latex, medium
Latex, large

940625
940626
940627

Tubigrip



Size F (10cm)
Size L (32.5cm)

930002
930015

Adhesives



| | |
|---------------------------------------|---------|
| Adhesive, Loctite 222 | 926001 |
| Adhesive, Loctite 243 | 926012 |
| Endolite structural adhesive | 926162 |
| Adhesive, Loctite IS424 | 926104 |
| Adhesive, Dunlop Thixofix | 926204 |
| Adhesive, Evostik 528 | 926213 |
| Loctite 638 retainer | 926005 |
| Coyote Quick Adhesive 50cc | CD4150 |
| Mix tips 6 pack (for CD4150) | CD401 |
| Mix tips 20 pack (for CD4150) | CD402 |
| Quick Adhesive Dispenser (for CD4150) | CDDMA51 |

Lubricants

| | |
|---|--------|
| STP oil treatment | 928105 |
| Sealant, silicone rubber RTV108 | 928320 |
| Release agent, anti-stick spray | 928404 |
| Petroleum jelly | 928001 |
| Greasil 4000 | 928009 |
| Rubber and nylon lubricant | 928107 |
| Grease-PTFE Impregnated-380g (Foodlube) | 928018 |
| Grease-PTFE Impregnated-4kg (Foodlube) | 928017 |
| Rocol sapphire endure | 928015 |



Tools

Tools and Equipment

The fabrication process for Endolite limb systems has been taken into account in the design and in order to minimise fabrication time there are a number of specialised tools available to facilitate fast and accurate assembly. We recommend that the specialised tooling be routinely employed to ensure efficient fabrication and optimal performance for the user. All tools necessary for the manufacture of Endolite limbs are included in this section.

Personal Protection Equipment

The equipment offered is included as a service to our customers, however the responsibility remains for the user to ensure that adequate precautions are taken to meet local regulations and to provide an acceptable level of protection. Copies of relevant data sheets are available on request.

Cast Equipment



Wall frame **941104**



Wall frame clamp **941240**



Cast taper mandrel **941105**



Cast wrap holder
Trans-femoral **941106**
Trans-tibial **941107**



Socket alignment
mandrel, trans-femoral **941108**



Vertical cast holder support **941112**

Cast Stems

175mm **941134**
250mm **941135**
325mm **941136**
400mm **941137**
(threaded)



Cast support taper **941110**
Cast support taper for
plaster bench (not shown) **941218**

Socket Tools



Align mandrel for
polypropylene container **941113**



Cast build up former
dummy knee **941109**
Small dummy knee **941167**
(used with former 940637)



Children's cast build up
former, dummy knee large/small
(use with formers 940665 and 940666) **940671**

Drape Tables



Vacuum bench **941503**
(includes 941129 drape table small
and 941131 drape table large)
Vacuum pump **941801**
Foot operated switch
for vacuum bench **941706**



Small (TT and TF) **941129**
Large (TF and hip disartic') **941131**
Drape table (hip disartic') **941183**



Stem for drape tables **941133**

Drape Formers



Trans-femoral **940636**
Small trans-femoral **940637**

Drape Former and Spigots



Small, trans-tibial **940638**
(reducing alignment) -
Large TT **940647**
Children's small TT and TF **940665**
Children's large TT and TF **940666**

Tools

Valve Formers



Teufel valve assembly tool **940021**



Teufel boss former **940635**

Socket Former Kits



O rings for 940661 **924146**
For laminated sockets **940661**
(all formers)

Standard trans-femoral **940673**

Standard trans-tibial **940675**

Small trans-tibial **940676**

Standard trans-tibial **940675**

Ankle disarticulation **940678**

Children's for laminated **940672**

sockets all formers

Children's large trans-femoral **940679**

and large trans-tibial

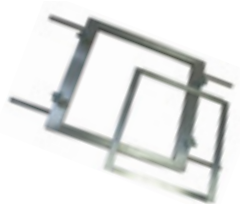
Children's small trans-femoral **940680**

and standard trans-tibial



Vacuum post for laminating **941158**

Drape Frames



342mm sq., blank **941114**

305mm sq., blank **941117**

406mm sq., blank **941118**

420 x 460mm, blank **941119**

Spacer (use with 941114) **941174**

Spacer (use with 941117) **941175**

Spacer (use with 941118) **941176**

Spacer (use with 941119) **941177**

Drape Ovens



250 volts, 50Hz **941500**
110 volts, 60Hz **941502**



Timer, digital countdown **940320**



Hot air welding gun **940311**



Replacement blades **940571**
for hot knife



Socket end trimming cutter **940407**

Replacement blade set **940414**

Blade setting block **940642**

Hole Cutters



27mm dia. **940582**

30mm dia. **940583**

25mm dia. **940584**

46mm dia. **940585**

19mm dia. **940586**

Cutting Tools



12mm dia. **940403**
21mm dia. **940404**

Flap Brushes



Fine **937025**
Medium **937026**



Flattening cutter **940408**



Routing cutter, cylindrical **940817**
ball nose

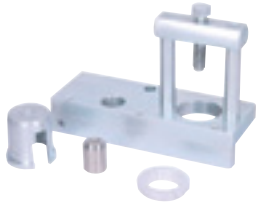
Jigs



Mandrel support - **941120**
side assembly

Tools

General Tools



- Multiflex ankle assembly jig **941125**
 Replacement cup **941170**
 Replacement pot housing **941215**
 Replacement bridge and screw set **941182**
 Replacement split collet **941169**



- Pot housing for pyramid ankles (as shown) **941239**
 (kit) Adapter for 125kg Multiflex ankles both for use with 941125 **941241**



- Ankle socket wrench **940022**



- Multiflex ankle extractor cup, universal **941214**
 Snubber assembly tool **940083**



- Multiflex ankle snubber assembly tool **941127**

Foot Spanners



- 9/16" AF socket (inc. tommy bar) **940023**
 5/16" AF driver (inc. tommy bar) as shown **940079**



- Circlip pliers, ankle **940327**

Cutting Jigs



- 30mm dia. tube Linx pylon cutting jig **941237**
 Children's 25mm dia. tube **941257**
941238



- Dummy pin for Stanceflex strap **940049**



- Location pin, trans-femoral for SFESK **940050**
 Dummy roll pins **940049**
 Dummy pin - KX06 cylind **940084**
 T20 Torx 3/8" drive bit **940274**



- Rear link clamp **941250**
 Body clamp **941251**
 Both, for KX06 **941252**
 KX06 cylinder exchange tool kit **941254**



- Elite blade and javelin cutting/drill and fitting jig **941255**



- VT cutting/drill and fitting jig **941256**

Miscellaneous Tools



- 2mm AF, 940250 2.5mm AF **940248**



- 2.5mm AF Hex Driver for ESK+ adjustment **940088**



- Nut spinner 5.5mm (7/32") AF **940272**



- Peg spanner, pivot pins (2 required) **940054**



- Peg spanner, ankle disarticulation **940060**

Combination Spanner



- Spanner, 6 x 6mm AF, PSPC **940270**



- 10mm AF **940261**
 13mm AF **940273**
 Alignment (single bolt) **940012**

Please contact Customer Services for the lead-times on these items.

Tools

Drills



6mm dia.
4.2mm dia.
9mm dia.

940514
940516
940519

Hex Key



1.5mm AF
2mm AF
2.5mm AF
3mm AF
4mm AF
4mm AF (Elite foot)
5mm AF
6mm AF
8mm AF
5/16" AF

940232
940233
940234
940235
940236
940080
940237
940238
940239
940211



Valve spanner (for valves
099132/4/5)

940047



TT locking ring spanner

940070



Hydraulic knee
control spanner

940091

Torque Wrench



Torque wrench and
adapter kit ☎ **940057**
Torque wrench **940056**
Extension ring spanner **940058**
Extension bar 3/8" sq, **940296**
Hex. socket 9/16" AF **940226**
Hex. socket 5/16" **940229**
sq. socket **940230**
Screwdriver socket 5/16" **940230**
sq. socket **940266**
Screwdriver socket 5mm AF **940267**
Screwdriver socket 6mm AF **940271**
Screwdriver socket 4mm AF **940081**
Torque spanner adapter
for Elite foot type heel (not shown)



Torque wrench **940056**

Personal Protection

Hands



Heavy duty gloves,
terry cloth **939000**
Rubber Gloves:
Gauntlet, size 9 **939001**
Gauntlet, size 10 **939002**
Medium **939004**
Large **939005**
Disposable gloves, large **939007**
Oven gloves, (Kevlar)
gauntlet, lined **939009**
Gloves, black **939042**
heavyweight, medium
Gloves, cotton **939050**

Eyes



Safety glasses, blue **939073**
Goggle, chemical **939014**
Panoramette
Replacement lens **939016**
for 939014
Spectacles, safety **939072**
BS2092/1

Ears



Earmuff - liquid filled **939030**
E.A.R. model 200 caps **939032**
E.A.R. cabocord foam
ear plugs **939031**

Respiration



Safety mask, disposable **939019**

Clothing



Apron, green polythene,
50cm long, 100 per roll **939060**

☎ Please contact Customer Services
for the lead-times on these items.

AFT Workshop Equipment

AFT is a long-established provider of rehabilitation equipment and machinery. Their product offering includes a comprehensive range of workshop, plaster room and clinic equipment that is excellent quality and competitively priced.

To explore the full AFT Catalogue go to <http://www.aft-international.de/en/katalog-01.html>.

For more information or to place an order, please contact your Education and Training Representative or Blatchford Customer Services on +44 (0) 114 263 7900.

These products are available through Blatchford in the UK only. The full AFT product range is vast but here are a few examples of the kinds of products that are available through Blatchford in the UK.

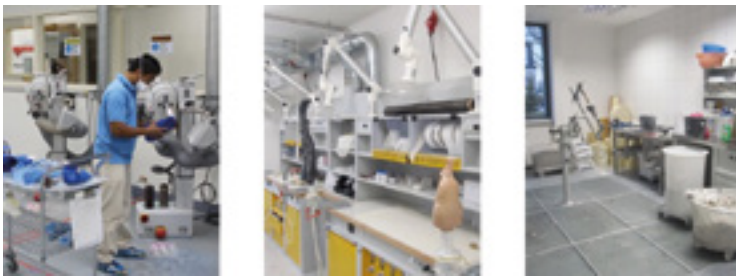
Clinic Equipment



Ovens



Routing, Lamination, Plaster Room and Extraction



Workshop Equipment



Workshop Design, Planning and Equipping

In partnership with AFT, Blatchford will also offer a complete design and installation service for new or refurbished areas in addition to providing service packages to support equipment once installed.



| | Page | P | age | | Page |
|------------------------------------|--------|--|-----|----------------------------------|------|
| Integrated Limb System | | | | Liners | |
| Linx | 12,13 | Swing and Stance Cylinder for KX06 | 92 | Silcare Breathe Liner - Cushion | 116 |
| Knees | | Swing and Stance Cylinder for Mercury Knee | 92 | Silcare Breathe Liner - Locking | 117 |
| Aqualimb TF | 34,35 | Swing Cylinder for KX06 | 92 | Endolite Comfort Liner - Cushion | 117 |
| Compact SAKL | 32,33 | Swing Cylinder for Mercury Knee | 92 | Endolite Comfort Liner - Locking | 118 |
| ESK+ | 24,25 | Swing Cylinder for SmartIP | 92 | Parasil Liner | 118 |
| ESK+ MKL | 26,27 | Adapters | | 3D Knitted Sleeve | 119 |
| KX06 | 20, 21 | 4-bolt adapter kit TF - | | TT Suspension | 119 |
| Mercury | 22,23 | Endolite chassis to 4-bolt | 96 | Cosmesis | |
| Orion3 | 16,17 | Cup & Strut kit TF- Endolite dome | 97 | Ankle Fairings | 122 |
| S200 | 28 | Cup & Strut kit TF- full alignment | 97 | Demountable Knee Fairings | 123 |
| S400 | 29 | Full alignment kit TF - Short Knee | 96 | Discontinuous | 125 |
| S500 | 30 | Full alignment kit TF - | | HD Fabric covers | 126 |
| SmartIP | 18,19 | 4-bolt ESK+ and Mercury | 96 | Junior Fairings | 124 |
| | | Full alignment kit TF - Endolite dome | 96 | Mercury Discontinuous | 125 |
| Feet & Ankles | | Full alignment kit TF - KX06 | 96 | Non-Definitive TT | 125 |
| Aqualimb TT | 76,77 | Full alignment kit TT - Endolite dome | 96 | Orion3 Knee Fairing | 125 |
| Avalon ^{K2} | 62,63 | KX06 adapter kit | 96 | RPVC - TT | 127 |
| BladeXT | 58,59 | M36 Adapter | 96 | RPVC/Rsi | 127 |
| Echelon | 44,45 | Non-rotating male pyramid adapter | 96 | RSi - TF | 127 |
| EchelonVAC | 40,41 | Pyramid 4-bolt | 96 | Stockings | 126 |
| EchelonVT | 42,43 | Pyramid female - Endolite dome | 96 | TF Fabric covers | 126 |
| Elan | 38,39 | Pyramid female - Endolite knee chassis | 96 | TF Thigh Fairing | 123 |
| Elite Blade | 54,55 | Pyramid female - sliding | 96 | TT Fabric covers | 126 |
| Elite BladeVT | 56,57 | Pyramid female - sliding & rotating | 96 | TT Fairings | 122 |
| Elite2 | 46,47 | Pyramid female short - | | Universal TT Fairing | 122 |
| EliteVT | 48,49 | Endolite knee chassis | 96 | Wheelchair cosmetic | 124 |
| Epirus | 50,51 | Pyramid male - Endolite dome | 96 | Socket Technology | |
| Esprit | 52,53 | Pyramid male - Endolite knee chassis | 96 | One shot Socket | 128 |
| Javelin | 60,61 | Pyramid male - sliding | 96 | Roehampton | 130 |
| Multiflex Slim | 68,69 | Pyramid male - sliding & rotating | 96 | Seaflex | 129 |
| Multiflex Special Edition | 70,71 | Pyramid male 4-bolt | 96 | Socket Liner | 129 |
| Multiflex Standard | 66,67 | TT lamination anchor | 96 | Socket Lock | 128 |
| Navigator | 64,65 | Turntable kit TF | 96 | Socket Materials | 130 |
| Senior | 74,75 | Wood adapter TF | 96 | Socket Valves | 128 |
| SuperSACH | 72,73 | Tubes and Adapters | | Thermoplastic | 129 |
| Junior | | Ankle disarticulation kit - | | Workshop Equipment | |
| Child's 4-bar Knee | 82,83 | Endolite dome | 104 | Adhesives | 132 |
| Mini BladeXT | 80,81 | Blade top housing TT female - | | Cast Equipment | 133 |
| Child's TT system | 84 | sliding & rotating | 104 | Cast Stems | 133 |
| Child's socket attachment | 84 | Brio | 111 | Cutting Jigs | 135 |
| Child's TF alignment kit | 84 | High strength pylon 30mm | 104 | Cutting Tools | 134 |
| Child's ankle disarticulation kit | 84 | High strength tube adapters | 104 | Drape Former and Spigots | 133 |
| Ankle clamp for Childsplay | 84 | Multiflex Ankle | 109 | Drape Formers | 134 |
| Pylon adapter for Childsplay | 84 | Multiflex Ankle/Seattle | | Drape Frames | 134 |
| Child's SACH foot adapter | 84 | Lightfoot connector | 104 | Drape Ovens | 134 |
| Pylon adapter for SACH foot | 84 | Multiflex TT Kit | 104 | Drape Tables | 133 |
| TT upper housing | 84 | Pylon 30mm | 104 | Flap Brushes | 134 |
| M30 Child's Adaptor for 4 Bar Knee | 84 | Pylon adapter 30mm -full alignment | 104 | Foot Spanners | 135 |
| M30 4 Prong Laminate Adapter | 84 | Pylon adapters pyramid female | 104 | General Tools | 135 |
| Female Mini Pyramid Pylon | 84 | Top housing TT 30mm | 104 | Hole Cutters | 134 |
| | | TTPro | 113 | Jigs | 134 |
| Controls | | Tube clamp adapter pyramid | | Misc. Tools | 135 |
| Cylinder fitting kit for KX06 | 93 | female 30mm | 104 | Personal Protection | 136 |
| Fitting Kit for PSPC | 93 | Tube clamp double female/ | | Socket Former Kits | 134 |
| Fitting Kit for Smart IP | 93 | female adapter | 104 | Socket Tools | 133 |
| Fitting Kit for Mercury Knee | 93 | Tube clamp double female | | Sundries | 131 |
| | | /male adapter | 104 | Valve Formers | 134 |

Warranty Listing

| Integrated Limb System | |
|--|------------|
| Linx | 36 months* |
| Knees | |
| Orion3 | 36 months* |
| SmartIP – all variants | 36 months |
| KX06 | 36 months |
| Mercury – all variants | 36 months |
| ESK+ - all variants, brake band 12 months only | 24 months |
| Compact SAKL | 24 months |
| Aqualimb TF | 24 months |
| S200 | 24 months |
| S400 | 24 months |
| S500 | 24 months |
| Feet | |
| Elan | 36 months* |
| BladeXT (excluding paintwork and sole cover) | 12 months |
| Mini BladeXT (excluding paintwork and sole cover) | 12 months |
| Elite BladeVT | 36 months |
| Elite Blade | 36 months |
| EliteVT | 36 months |
| Elite2 | 36 months |
| EchelonVT | 36 months |
| Echelon | 36 months |
| EchelonVAC | 36 months |
| Javelin | 36 months |
| Epirus | 36 months |
| Esprit | 36 months |
| Navigator | 24 months |
| AvalonK2 | 24 months |
| Multiflex - all variants | 24 months |
| Super SACH | 24 months |
| Senior | 24 months |
| Aqualimb | 24 months |

| Controls | |
|--|----------------------------|
| SmartIP | 36 months |
| PSPC | 24 months |
| Endolite Hydraulic Cylinders - all variants | 36 months |
| Service Exchange Products | |
| Endolite units - all variants | 12 months |
| SmartIP | 18 months |
| Ankles, Adapters and Shins | |
| Multiflex Ankles | 24 months |
| Ankle Snubbers | 3 months |
| Brio30 | 24 months |
| All Adapters & Tubes | 24 months |
| Shins | 24 months |
| TT Pro – all variants | 24 months |
| Liners and Sleeves | |
| Silcare Breathe Liners | 6 months |
| Endolite Comfort Liners | 6 months |
| Suspension Sleeves | 1 month |
| Foot Shells and Cosmesis | |
| Foot Shell | 12 months |
| Cosmetic Items (Fairings, Coverings, Kneeballs etc) | 1 month |
| Glide Sock | 3 months |
| Ancillary Products | |
| Tooling | 12 months |
| Test Equipment | 12 months |
| Ovens and Hot Air Guns | 12 months |
| Proprietary items | Manufacturer's Warranty |

See Blatchford website for current full warranty statement.

Warranty periods commence from the original date of shipment unless otherwise stated.

Note: Any warranty on repaired or replaced items is governed by the original date as the remaining warranty period from the original purchase must be maintained.

* Extended warranty is available on request; contact your service provider.

Global Warranty Statement

Chas. A. Blatchford & Sons Limited and Subsidiaries (Blatchford) warrants Endolite Prosthetic Products against defects in material and workmanship.

The warranty period applies from the original date of product shipment unless otherwise specified.

In the event that a defect is discovered during the warranty period, Blatchford will, at its discretion, either repair or replace the affected part with another part equivalent in basic function or refund the purchase price of the affected part only. The warranty of the repaired or replaced part is limited to the remaining warranty period from the original shipment date of the part.

The warranty coverage is limited to the cost of the original failed part and excludes all associated or related costs. For the sake of clarity, the phrase "all associated or related costs" includes but is not limited to associated parts, assembly and disassembly costs, transport costs, travel and handling costs and any form of compensation.

The warranty policy excludes failure resulting from misuse, accidental damage, neglect, wear and tear, unapproved component modifications, incorrect assembly and unless otherwise specified, immersion in water. Specific limitation of use as detailed in the documentation supplied with the product must be complied with.

Blatchford makes no other express warranty or condition, whether written or oral to the extent allowed by local law, any implied warranty or condition of merchantability, satisfactory quality, or fitness for a particular purpose is hereby disclaimed. Some countries/regions, states, or provinces do not allow limitations on the duration of an implied warranty, so the above disclaimer may not apply to you. This warranty gives you specific legal rights, and you may also have other rights that vary from country/region to country/region, state to state, or province to province.

To the extent allowed by local law, the remedies in this warranty statement are your sole and exclusive remedies. except as indicated above, in no event will Blatchford or its suppliers be liable for direct, special, incidental, consequential, or other damage, whether based in contract, tort, or otherwise. Some countries/regions, states, and provinces do not allow the exclusion of incidental or consequential damages, so the above limitations and exclusions may not apply to you.

If the product comes with a Warranty Registration Form then this must be completed and returned to the company for the warranty to be effective.

To qualify for warranty the Warranty Claim Form must be fully completed and supplied with the affected part.

To return any product, please contact our Customer Services department to inform of the reason for return and to request an ACS number for the return.

Please be aware our Warranty Statement is subject to change; in all cases our current Warranty Statement is published on our website.

Notes

Follow Blatchford: | blatchford.co.uk
@BlatchfordGrp | +44 (0) 1256 316600
/BlatchfordGrp | customer.service@blatchford.co.uk

Registered address, Chas A Blatchford & Sons Ltd, Unit D, Antura,
Kingsland Business Park, Basingstoke, RG24 8PZ, United Kingdom.



An annual visual inspection is recommended. Check for visual defects that may affect proper function.
Maintenance must be carried out by competent personnel.

936594 Iss 3 04/18. Information correct at time of print.

