





RODIN4D

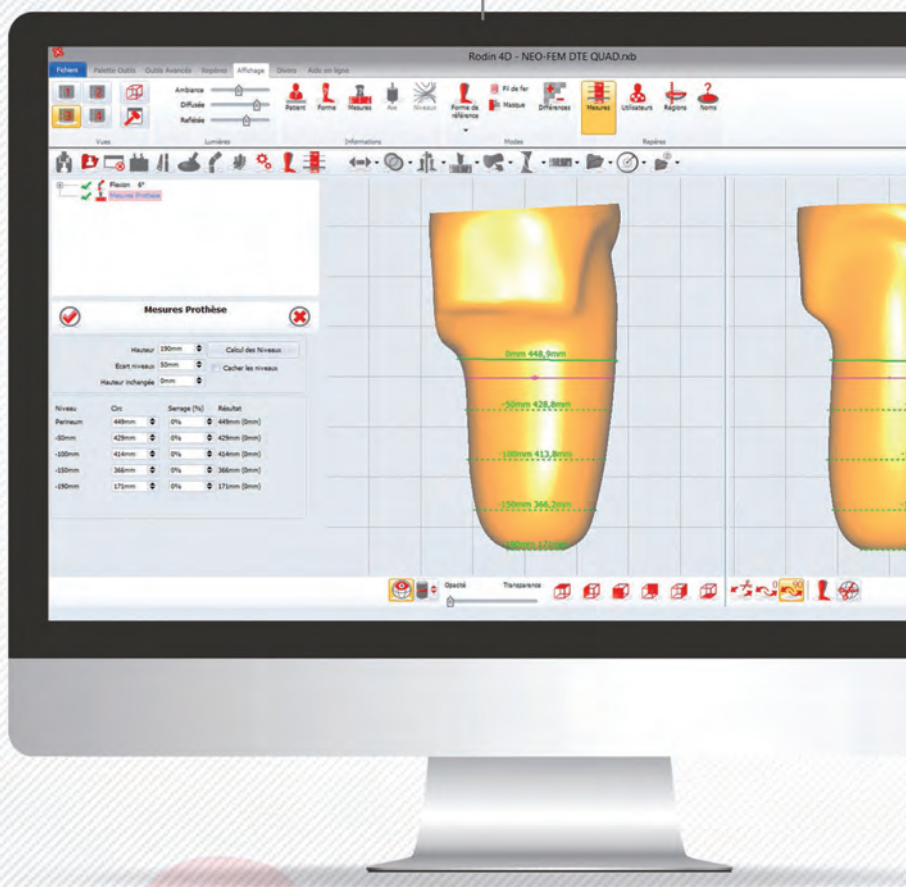
Founded in 2004, at the heart of the first largest French group producing custom-made orthopaedic devices, Rodin4D is specialised in the development of software, milling machines and 3D scanners for the orthopaedic industry.

Constantly seeking innovation, Rodin4D offers its clients increasingly productive and easy to use solutions.

World leader since 2010 with more than 1000 users worldwide, our priority is to make each client's project a success and provide support for their teams.

Rodin4D Neo
Cube

M4D Scan
Echo Digitizer
Captevia



1

ACQUISITION

Acquisition
Adquisición
Erfassung
Acquisizione
Adquisición
采集
取り込み

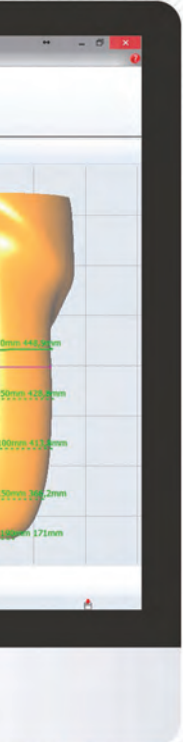


2

MODIFICATION

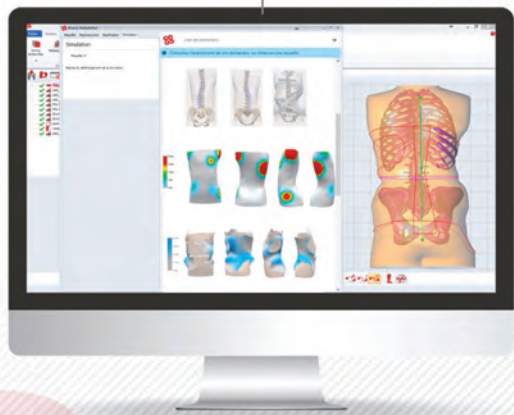
Modification
Modificación
Modifikation
Progettazione
修型
修正





Brace Sim

Neo CAM
R4D Mill
3D Print



3

SIMULATION

4

MILLING

Simulation
Simulación
Simulation
Simulazione
仿真
シミュレーション

Usinage
Fresado
Produktion
Fresatura
加工
切削



ACQUISITION

Fast, accurate and painless acquisition

Our goal is to provide reliable acquisition solutions, suitable for any body part, without changing your work habits.



> M4D Scan

Fully integrated with Rodin4D

- Fast, light and portable
- Scan any body part in 3D
- Fast data acquisition
- Automatic post-treatment of the image
- **M4D Soft** specialized software
- No lasers

> Echo Digitizer

Duplicate sockets in 4 minutes!

- Digitize your negative moulds
- Fast and accurate
- Ideal for plasters, sockets, test sockets, resins, impression boxes

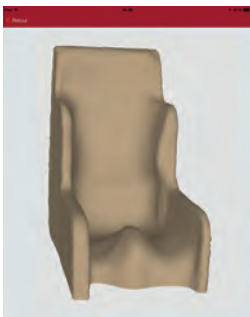


➤ Structure Sensor + Captevia V3

Adopt a low cost digitising solution for all your teams



Brace



Seat



Knee

Structure Sensor

The first 3D sensor for mobile devices

- Free to digitise: no PC, no cable
- Ultra-portable (less than 450g)
- No training required
- Class 1 Infrared laser technology



Captevia V3

Version 3 of our iPad application

- Save 3D files on your iPad
- Direct link to our software, Rodin4D Neo
- Send files by email or via Dropbox



Tibial

neo 2018

by Rodin4D A single software package for all your forms

Rodin4D Neo is the heart of our global CAD/CAM solution.

Neo brings together all the functions CPO need: prostheses, orthoses,

➤ Create your own tools

- Create your own rectification protocols and share them with your technicians

➤ Tool history

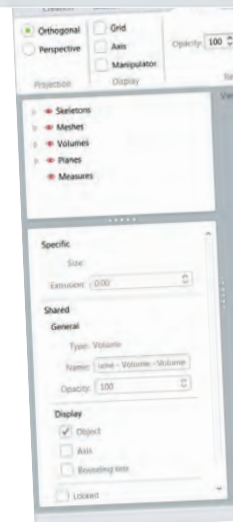
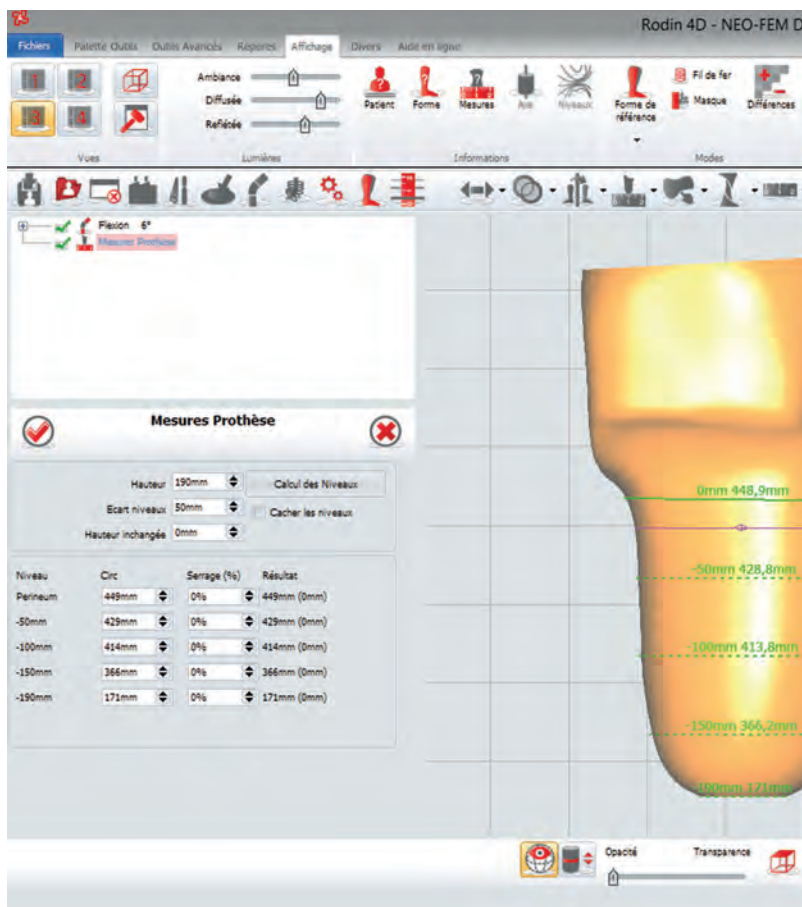
- Keep a history of all your changes

➤ Fast training

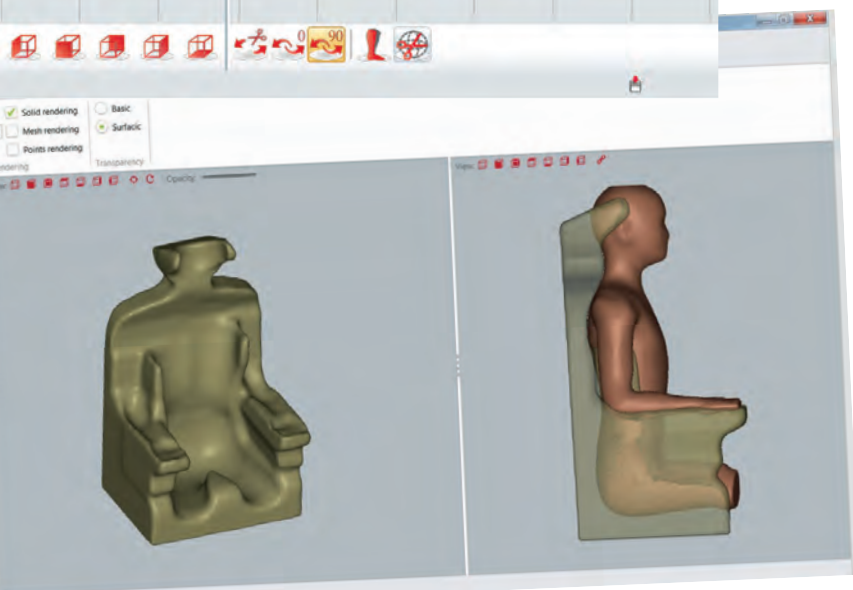
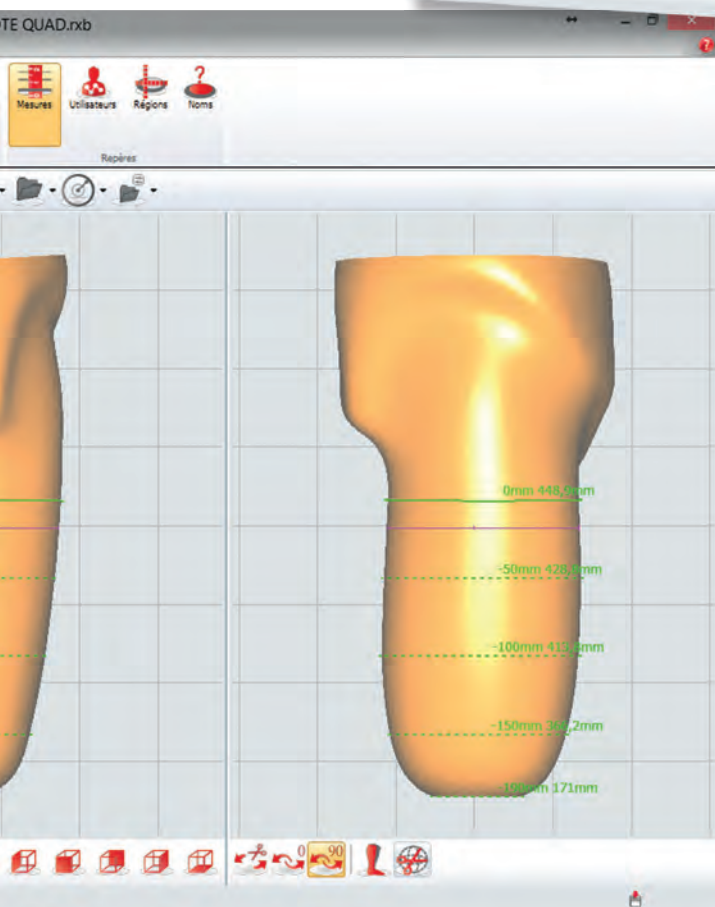
- Two days of training are enough to master the software
- Quickly master all functions
- Access to self-training videos
- Technical support

➤ Extensive functionality

- Import scanned forms (STL, AOP..)
- Libraries of pre-rectified forms
- Import photographs, CTscan, IRM or DICOM files
- Manage patients and scans, photographs and associated 3D forms
- Use professional tools to clean the 3D form
- Extensive choice of rectification tools (more than 25 different tools)
- History of all changes
- Import / export from and to the main industrial and orthopaedic formats
- Print reports of the work carried out
- Draw the trim lines and forms for machining



body jackets.



➤ Import CAPTEVIA

- Import photographs from the Captevia application for iPhone and iPad
- Detect the patient's contours
- Apply measurements to a 3D library of your choice

➤ Created by and for orthoprosthodontists

- A complete professional solution
- Constantly evolving with regular releases of new versions

➤ CUBE by Rodin4D

- The ideal complement to Rodin4D Neo
- Design freely with the power of Voxels (Pixels 3D)
- Model your negative and positive forms (seats, foam beds, verticalizers...)

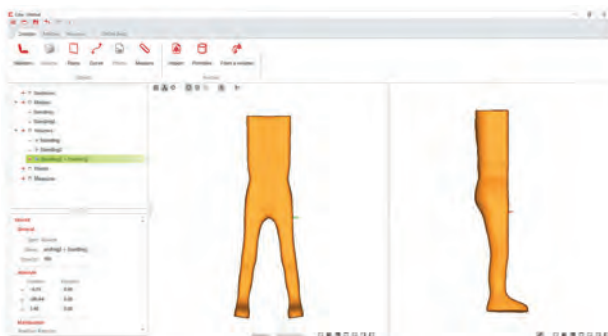
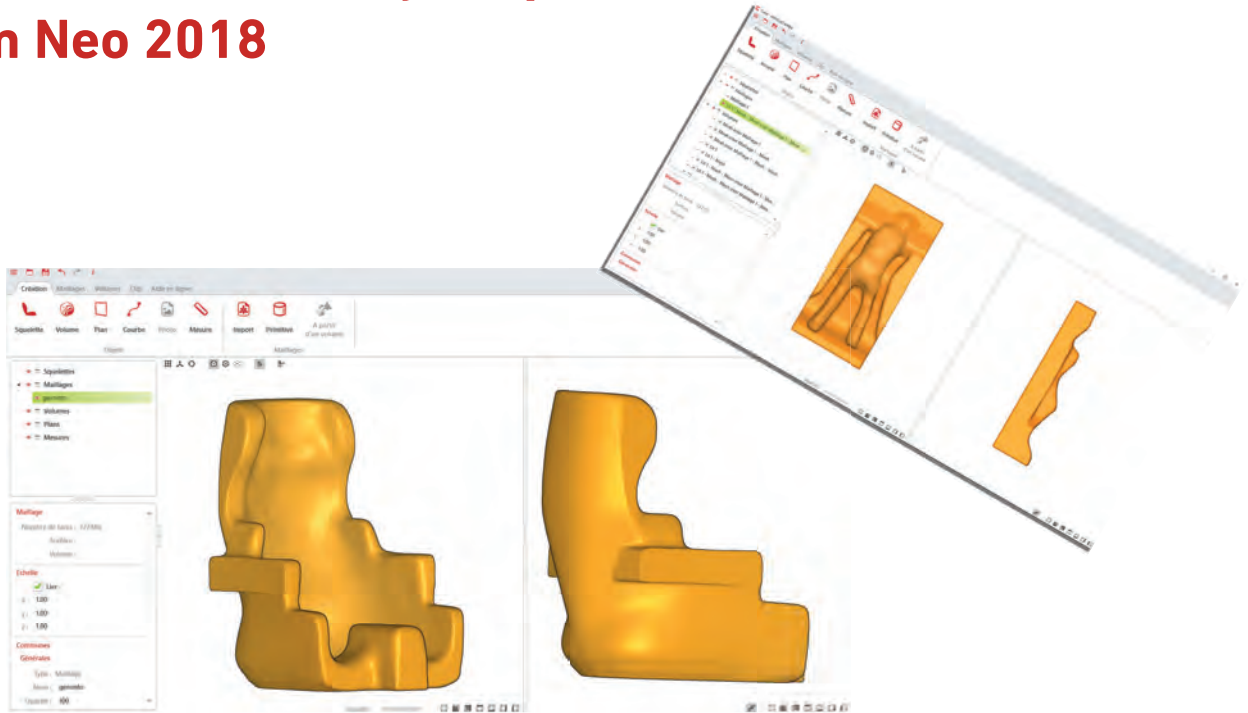
CUBE 2018

BY RODIN4D

Unleash your creativity!

With CUBE, you are free to rectify and design seat braces, beds, standing devices...

➤ **Work with a scan of your patient or with a file from Neo 2018**

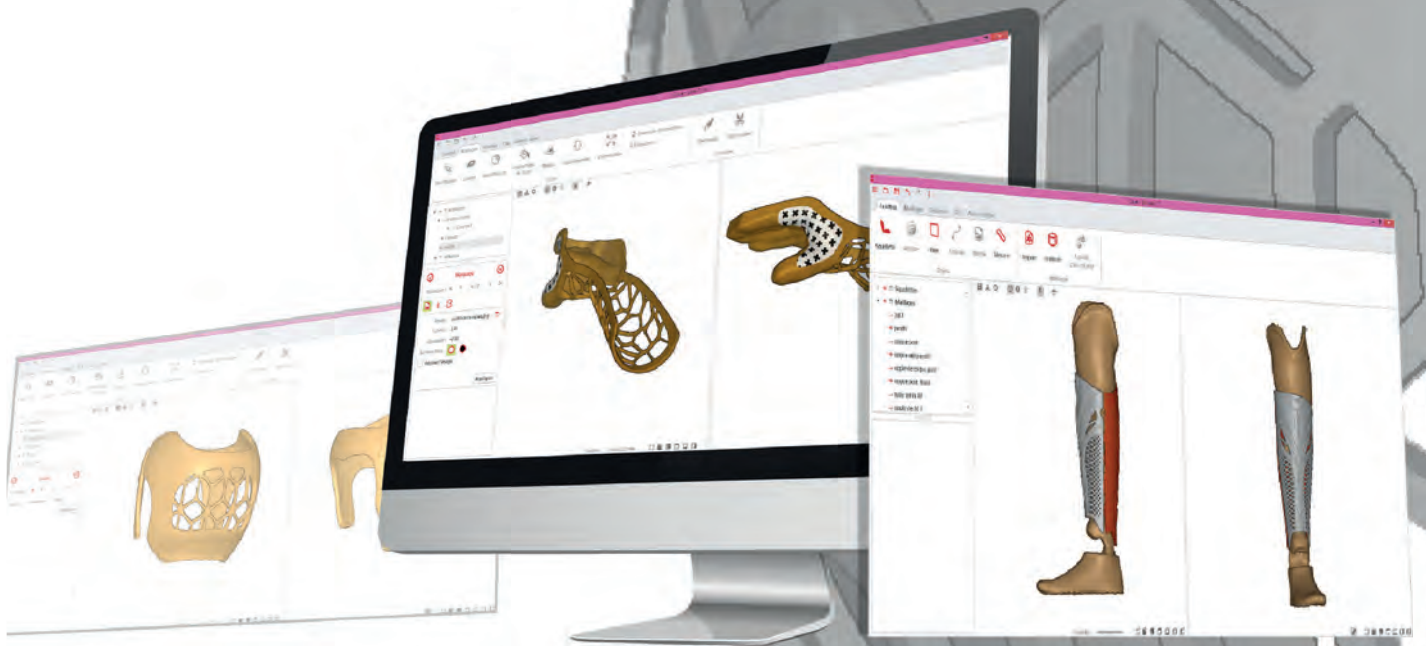


➤ **Tools for the CPO**

- Distortion tool
- Area tool
- Inclination of the back
- Degree of abduction
- Pad design
- Armrest design
- Standard or customised adjustment of your shells

➤ Rectification

- Import scanned forms (STL)
- Import photos
- Cleaning and deformation of the 3D form
- Using Voxels (3D pixels) leaves you free to design your devices
- Model your negative and positive forms
- History of modifications



➤ Are you ready for 3D printing ?

- STL files fixing
- Marking tool
- Assembly
- Thickening
- ...



BRACE SIM

by RODIN4D

“Simulate and Evaluate your scoliosis corsets efficiency”

1 Acquisition



2 Rectification

with RODIN4D NEO software



3 Simulation



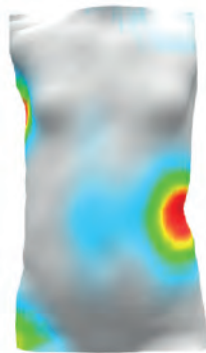
4 Production



Brace Installation



Simulated Correction



Simulated Pressures



Simulated Fitting

- **Simulate** the scoliosis corset's efficiency before manufacturing
- **Optimize** the treatment success
- **Improve** your patient's comfort
- **Go further** in your research

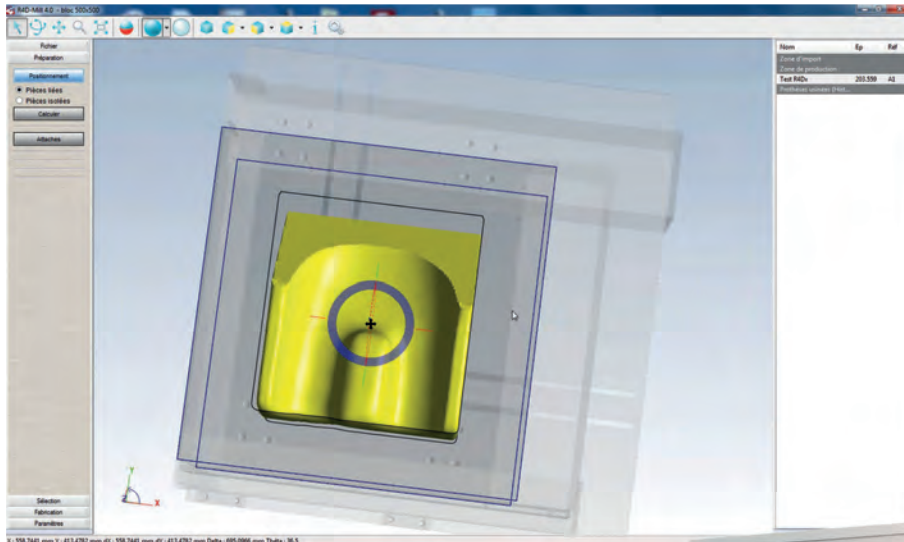
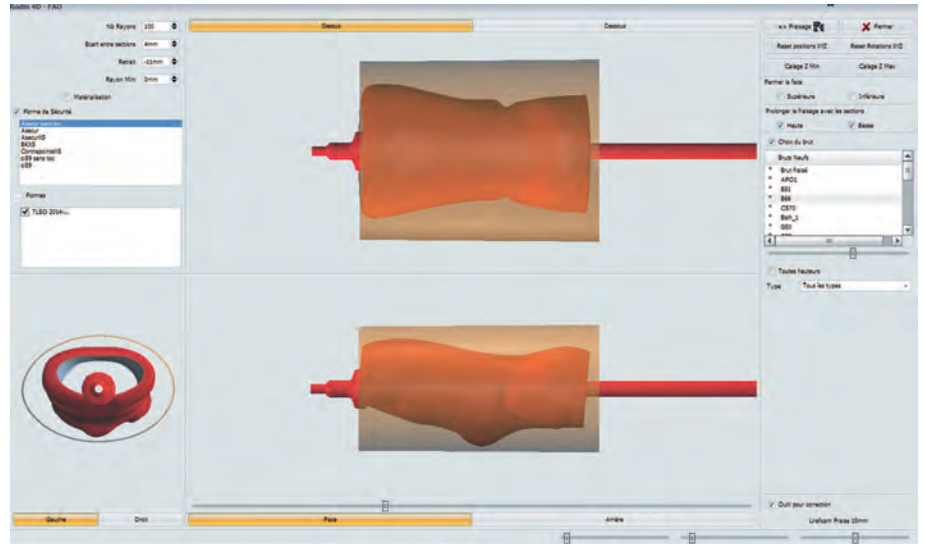
FOR ANY INFORMATION:
bracesim@rodin4d.com
www.bracesim.com

CAM SOFTWARE

Computer Aided Manufacturing

» The Neo CAM module

- No machining knowledge is required to program your 3 axis machining operations
- Optimise your machining costs in one click, with the already machined blocks manager
- Export to various file formats (STL, PIM, G-code...)
- Manage the trim lines for your devices



» R4D Mill

- Specifically dedicated to our 4C and 4S milling machines for 4-axis machining
- No knowledge of machining strategy required
- Simply "drag and drop" your 3D files into the block of material to be machined to program your machining operations



Milling Machine 4S



MILLING

Milling machines to meet your needs

Our milling machines are compatible with the R4D CAD/CAM software, but also with main orthopaedic formats (AOP, IGES, STL, etc.)

➤ C milling machine

Milling capacity:

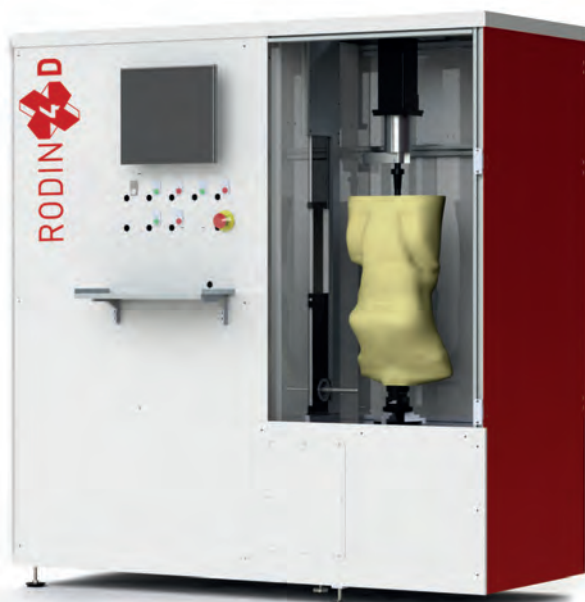
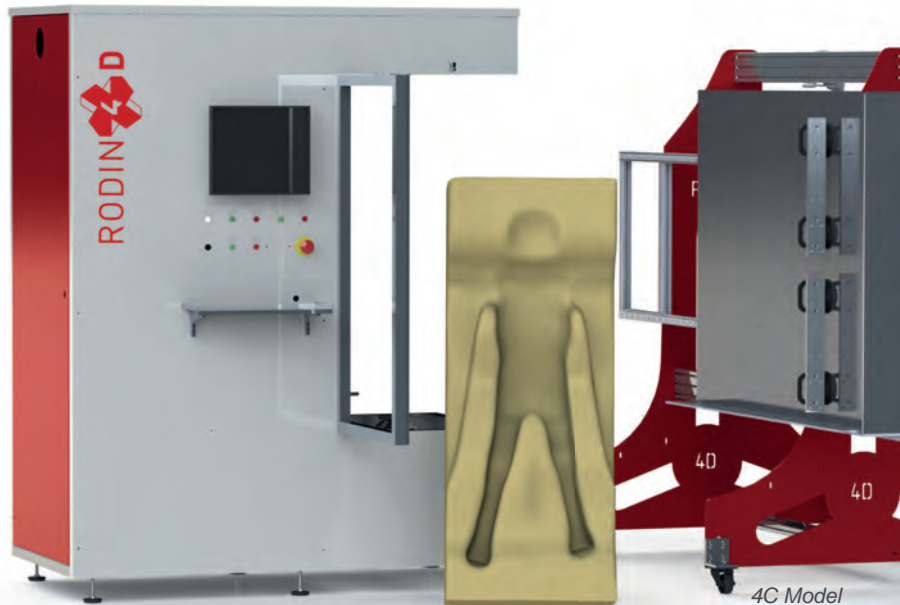
1100 mm x 600 mm

Ideal for machining:

- Seat braces
- Braces
- Cosmetic prostheses
- Lower members
- Verticalizers

Can be upgraded to the 4C model

Flat mode: 1800 x 1100 x 350 mm
Used for machining foam beds



S Model

➤ S milling machine

Milling capacity: 700 mm x 500 mm

Ideal for machining:

- Braces
- Femoral prosthesis
- Tibial prosthesis
- Lower members
- Verticalizers
- Possible to mill plaster tibias

Can be upgraded to the 4S model

Flat mode: 600 x 600 x 300 mm
Used for machining seat braces

SX MILLING MACHINE

An open system to mill any form

NEW

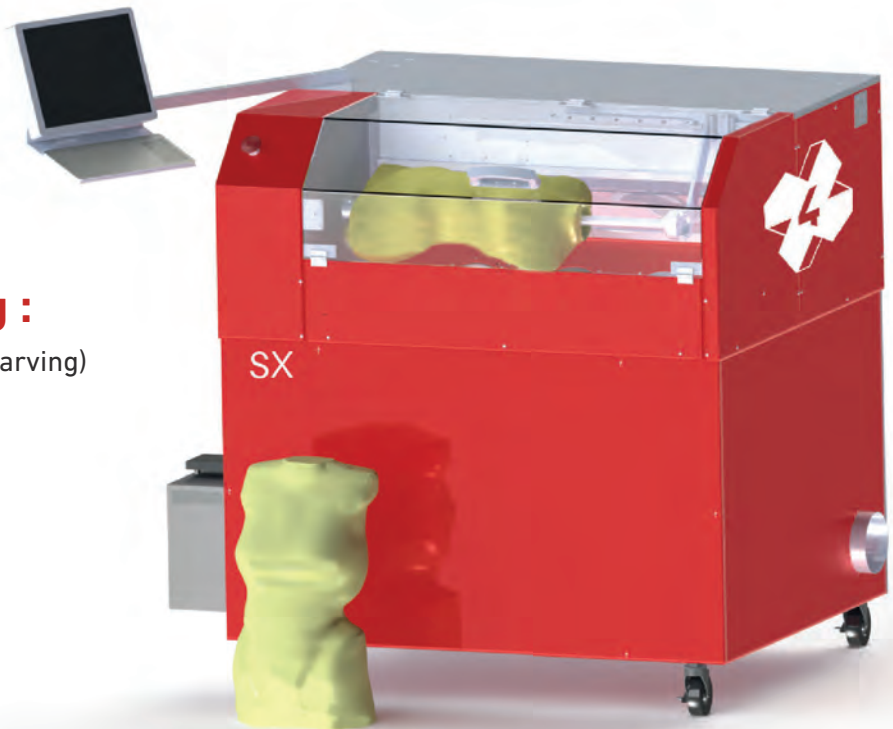
› Milling capacity

L 660 mm x Ø420 mm

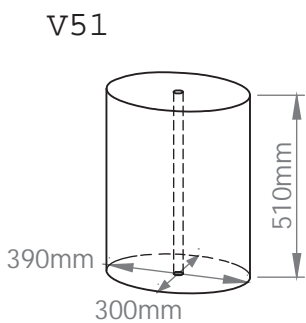
› Ideal for machining :

- Ankle-foot orthosis (in two carving)
- Tibiale prothesis
- Brace / Torso Brace
- Femoral prothesis
- Helmets
- Positives for insoles
- Upper Arm prothesis

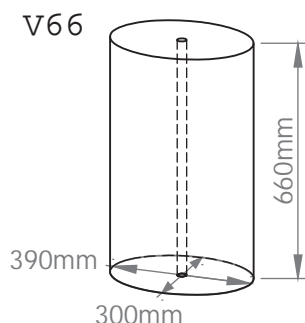
Compact and cost-effective



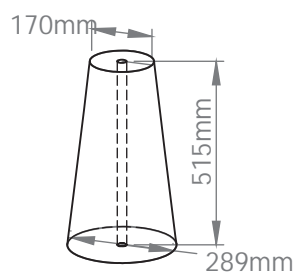
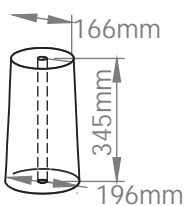
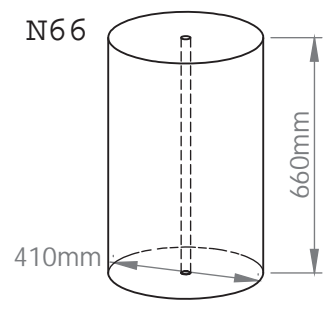
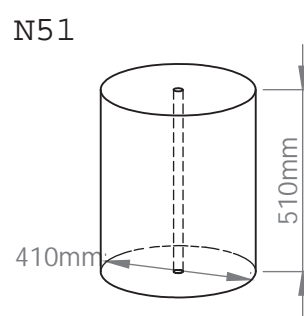
› Compatible PU Blocks



P2



P1



VICTOR

7 AXIS ROBOT FOR O&P by Rodin4D



Specially developed for the production of orthosis and prosthesis

Fast and compact

Victor offers large machining capacity on less than 10m² of floor area

Easy to use

with pre-programmed machining strategy

Scalable and suitable

for all budgets



Equipped with Carve&Cut Technology

> Carving capacity

- **Rotating table**
Diam. Max. 750mm, Height 1700mm
- **Horizontal table**
1000mm x 1000mm, Height 450mm
- **Vertical Table (Optional)**
Height 2000mm, Width 900mm, Depth 450mm

> Carving time

- Brace: ~15 minutes
- AFOs: ~15 minutes
- Standing shell: ~35 minutes

> Ideal for machining

- Braces
- AFOs
- KAFOs
- Prosthesis
- Rigid mold for seats
- Standing shell
- Helmets
- Mold for shoes
- Seat in soft foam
- Insoles
- Mattresses
- Abduction plots
- Shoe last

CLIP

Collaborative platform

CC
CLIP

BY RODIN4D

CLIP is a collaborative platform for exchanging and annotating your 3D CAD data from Neo or Cube.

Save your teams time and increase efficiency and security.

Share, annotate and validate your designs from any medium (windows, mac, iPhone, android etc).

Accessing your CAD data has never been easier!



> Multi-platform

- PC, Mac, Android, Apple...

iPhone



> Secure

- Storage of patient data on authorised health data servers.

> Integrated with:





BLOCKS AND ACCESSORIES

Optimise the production of your devices

Committed to offering a complete solution, Rodin4D also provides consumables and accessories suitable for your activity.



➤ Foam blocks

Specially adapted for the orthopaedic industry

- Polyurethane foam blocks
- Different densities depending on the device type
- More than 20 references available
- Rodin4D exclusive manufacturing

➤ Pyramid of thermoforming

To equip thermoforming bars

- Used to fix foam blocks to your thermoforming bars



➤ PU-Fixpro Fastener

An "all-in-one" thermoforming tool

- Used to fix the foam block and create the vacuum



➤ TFM Tool

Trans-Femoral Measurement Tool

- Tool for taking trans-femoral measurements
- For men and women
- A single tool for all measurements
- Measuring tape equipped with a calibrated spring
- Constant measurements



➤ Slide calliper

Developed by Rodin4D

- Tool to take measurements
- For simple anatomical forms



TECHNICAL SUPPORT AND TRAINING

Give our customers entire satisfaction

Rodin4D focuses much of its efforts on technical and sales support, as well as training.

➤ **Technical support**

A team of technicians at your service

- Available wherever you are, thanks to our team of distributors present throughout the world
- By telephone or email
- Multilingual support

➤ **Internet assistance**

A module to guide you remotely

- A simple module, free of charge
- Problem can be seen directly on the customer's screen
- Fast problem solving
- Mini online training



➤ **Help available in Rodin4D Software**

Help options can be accessed from the software

- Request form in Rodin4D Soft
- Access to self-training videos

➤ **Training**

Training for optimal learning

- Training sessions throughout the year
- For all types of users (beginners, advanced, expert)
- Training on new features and updates
- Possibility of personalised training sessions
- **Red School:** Profession oriented training



CONTACT TECHNICAL SUPPORT
+33(0) 556 477 354
support@rodin4d.com



RODIN 4 D

RODIN SAS

Parc Le Biogalien - Bâtiment B
27 Allée Charles Darwin
33600 Pessac
FRANCE
Tel. +33 (0)5 56 47 77 13
info@rodin4d.com

RODIN GMBH

Elsternweg 4
D-89547 Gerstetten-Heldenfingen
GERMANY
Tel. +49 (0)7323 952501-0
info.de@rodin4d.com