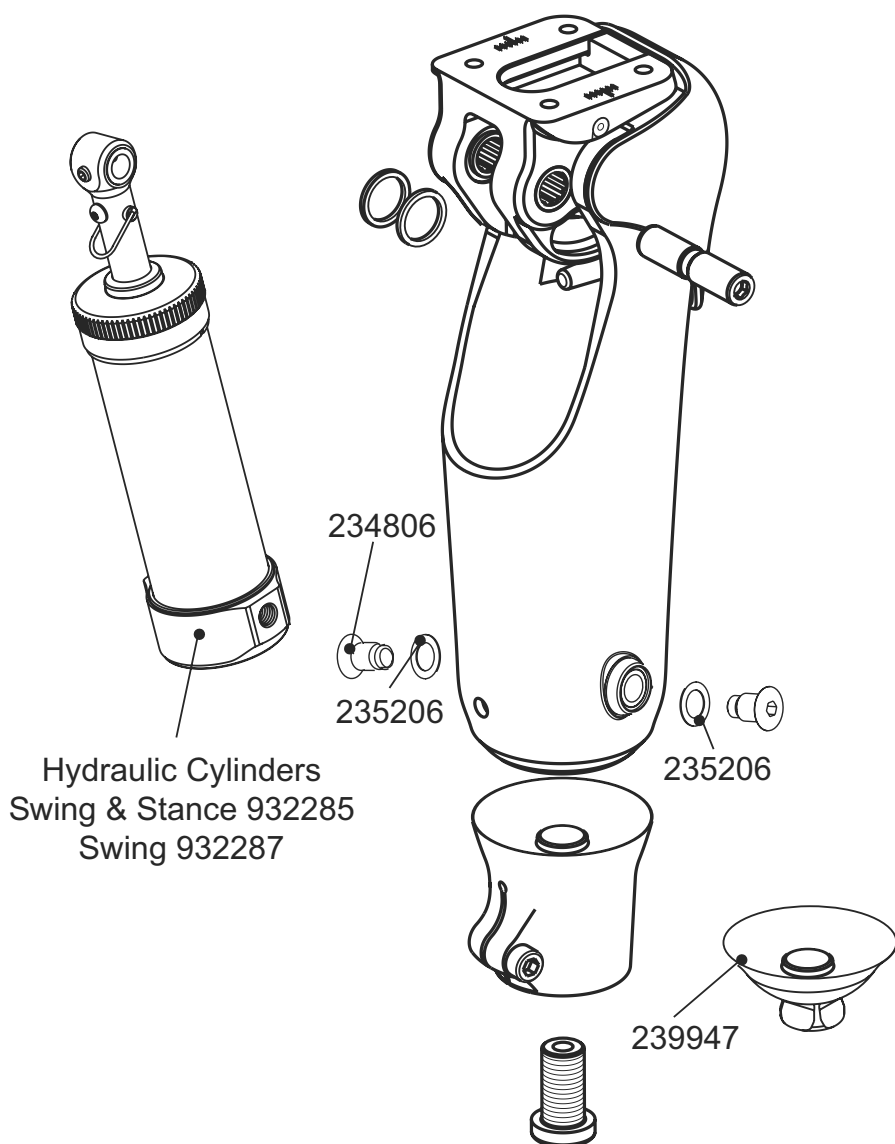


# Mercury Schematics



Instructions for use knee  
Control cylinder instructions

938251  
938216

Robust hydraulic knee for active lifestyles.

# Mercury

## Features

- Tough carbon fibre frame
- 125° knee flexion
- Long life needle roller bearings
- Reinforced hydraulic unit
- Variable cadence
- Cylinder flexion lock
- Mode switch for cycling
- Durable urethane kneeler pad
- Compact design

## Specifications

Max. User Weight/Activity Level: 150kg/3  
145kg/4

Component Weight: 1.23kg

Build Height: See diagram

Control Unit: Hydraulic



## Part Numbers

MH30  
MH30 SWING  
MHPYR  
MHPYR SWING

Discontinuous:

MHDPYRS - small kneeball 100mm  
MHDPYRM - medium kneeball 110mm  
MHD30S - small kneeball 100mm  
MHD30M - medium kneeball 110mm

## Accessories

Mercury discontinuous cosmesis kit see page 117

Cylinder Adjuster Tool 940091 

## Socket Adapters



## Build Height

