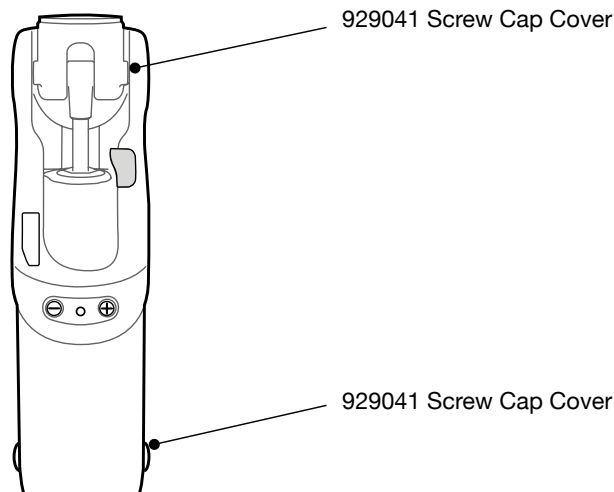
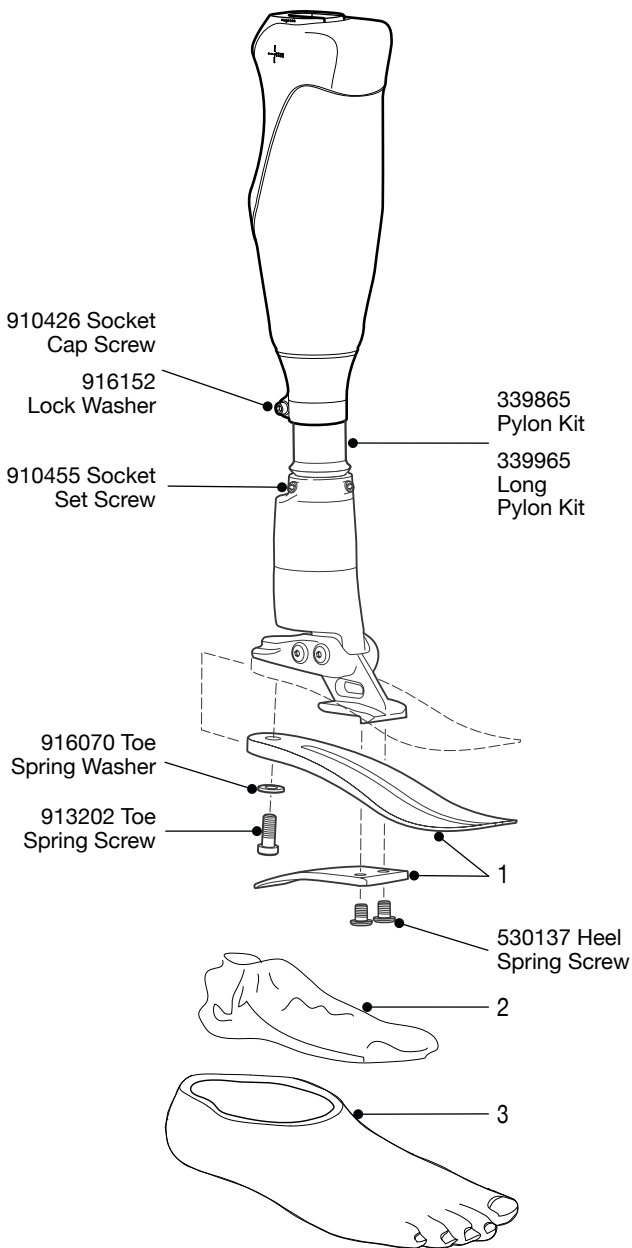


Linx Schematics



1 Spring Kits:

Foot Size	Foot Size	Foot Size	Foot Size
22-24	25-26	27-28	29-30
Set 1 - 539801S	Set 1 - 539810S	Set 1 - 539819S	Set 1 - 539828S
Set 2 - 539802S	Set 2 - 539811S	Set 2 - 539820S	Set 2 - 539829S
Set 3 - 539803S	Set 3 - 539812S	Set 3 - 539821S	Set 3 - 539830S
Set 4 - 539804S	Set 4 - 539813S	Set 4 - 539822S	Set 4 - 539831S
Set 5 - 539805S	Set 5 - 539814S	Set 5 - 539823S	Set 5 - 539832S
Set 6 - 539806S	Set 6 - 539815S	Set 6 - 539824S	Set 6 - 539833S
Set 7 - 539807S	Set 7 - 539816S	Set 7 - 539825S	Set 7 - 539834S
Set 8 - 539808S	Set 8 - 539817S	Set 8 - 539826S	Set 8 - 539835S

2 Glide Sock: 22-26 - 531011, 27-30 - 532811

3 Foot shells:*

Foot size Left/Right	Narrow	Wide
22L	539038S	-
22R	539039S	-
23L	539040S	-
23R	539041S	-
24L	539042S	-
24R	539043S	-
25L	539044SN	539044SW
25R	539045SN	539045SW
26L	539046SN	539046SW
26R	539047SN	539047SW
27L	539048SN	539048SW
27R	539049SN	539049SW
28L	539050SN	539050SW
28R	539051SN	539051SW
29L	-	539052S
29R	-	539053S
30L	-	539054S
30R	-	539055S

*For dark tone add suffix D

Pylon Kit	339865
Pylon cutting jig	941257
Battery charger kit	239093V2A
Aus adaptor	950164
UK adaptor	950136
Euro adaptor	950137
US adaptor	950138
Shin extension cable	239090
Socket screwdriver 4mm	940271
Socket Hex 5mm AF	940266
Clinician's Manual	938353V2A
Charger Extension Cable	239098V2A
Cosmetic Cover	561101BLACK

Proximal Attachments

Rotating Pyramid with Shift	239017		
Non-rotating Pyramid with Shift	239089		
Rotating Female Pyramid with Shift	189128		
M36 Threaded Adapter	239092		

Build part numbers are for assembly guidance only and may not be for sale separately.

